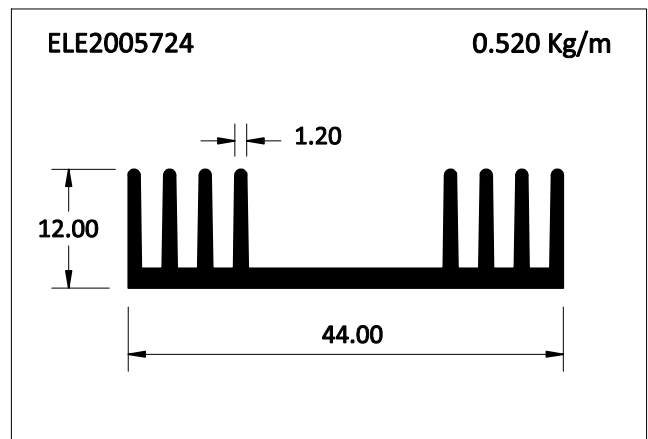
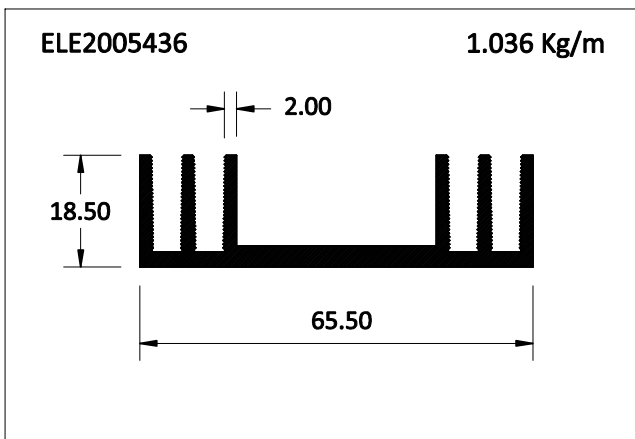
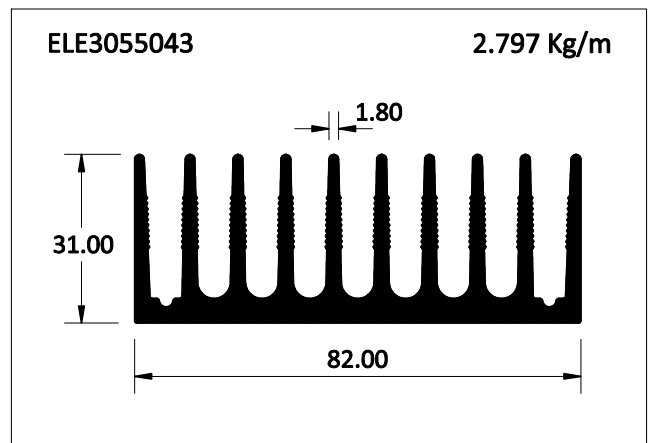
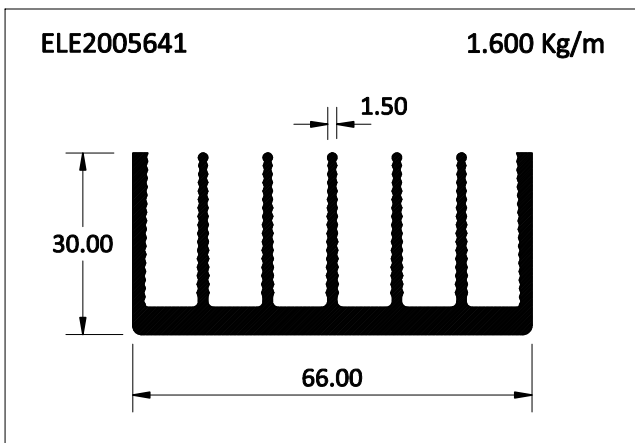
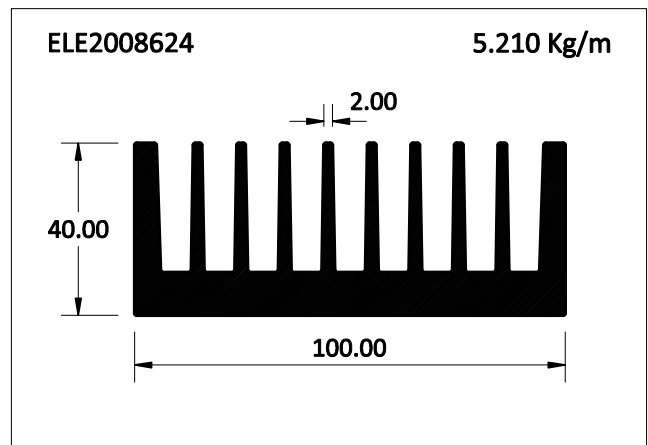
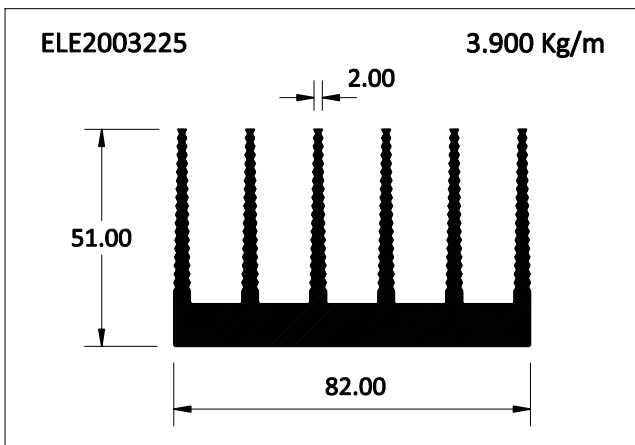
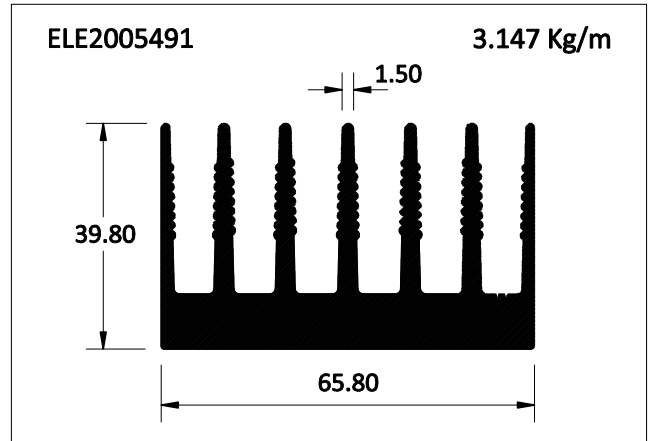
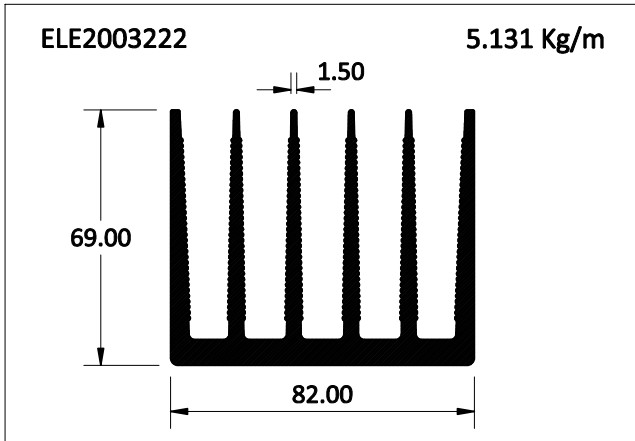
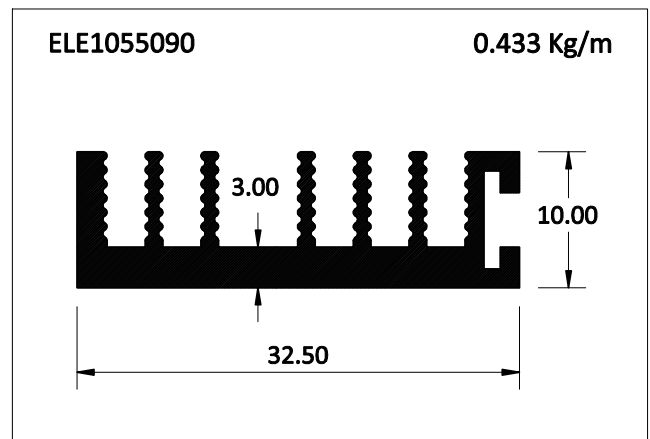
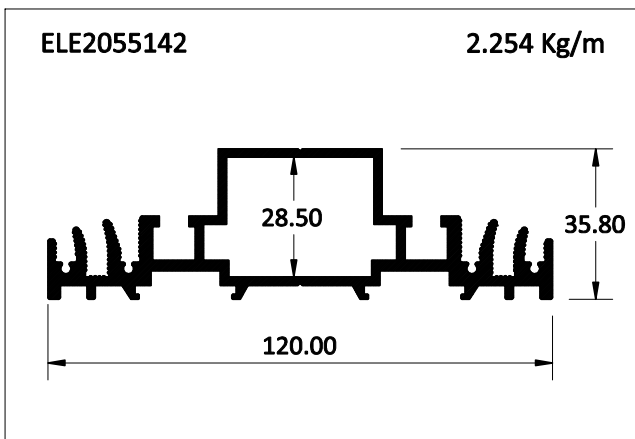
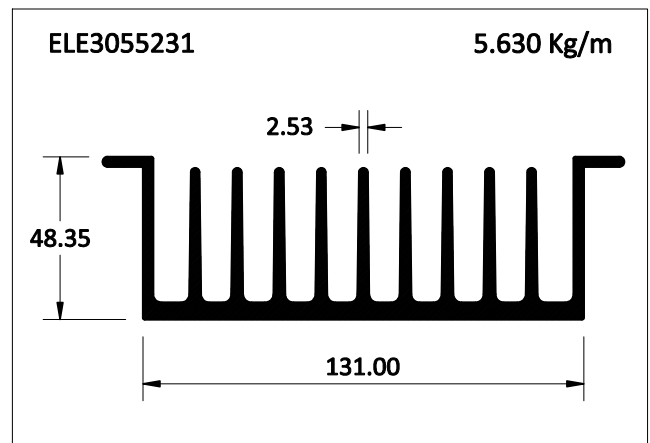
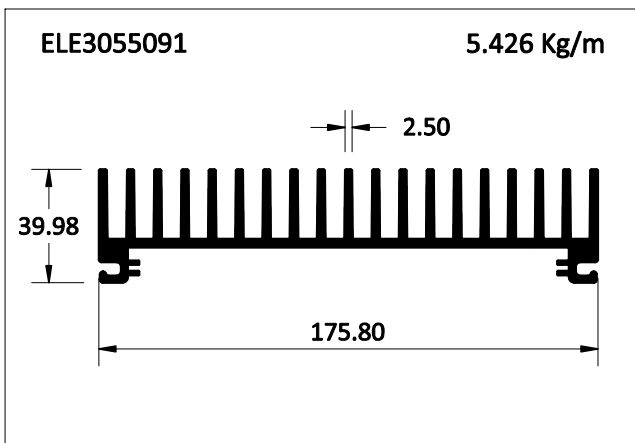
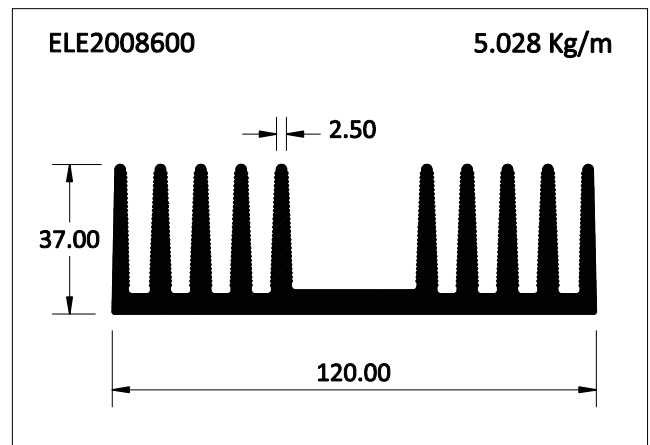
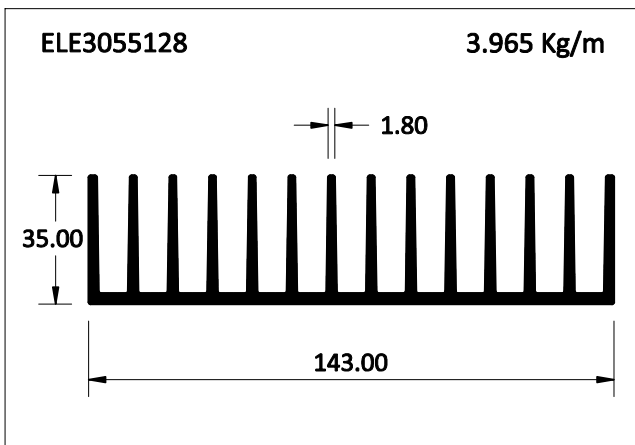
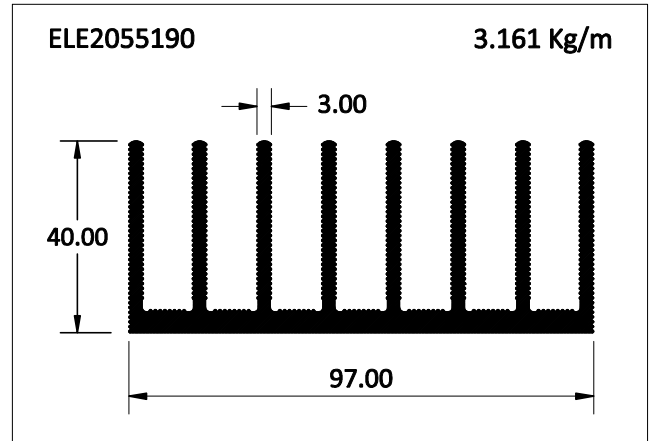
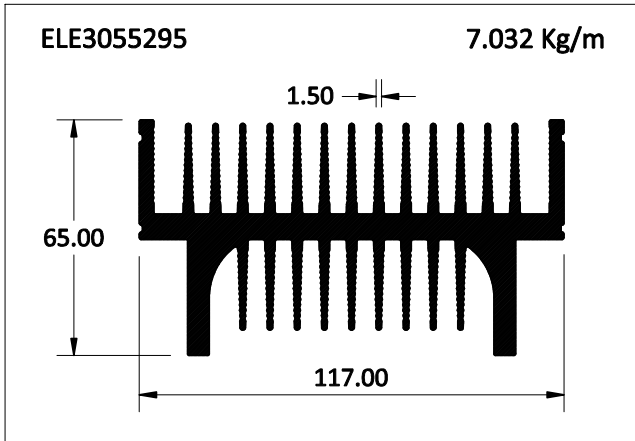


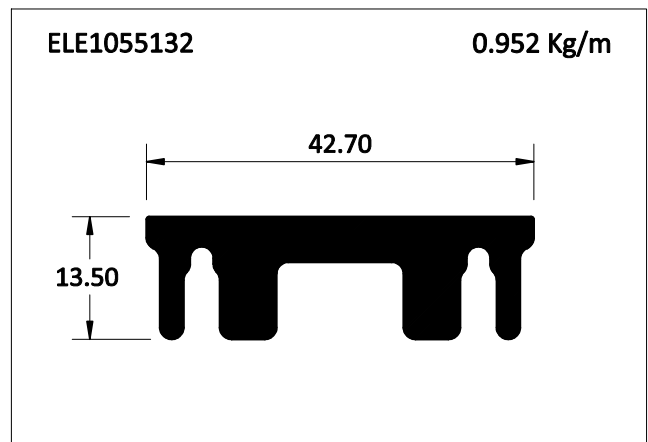
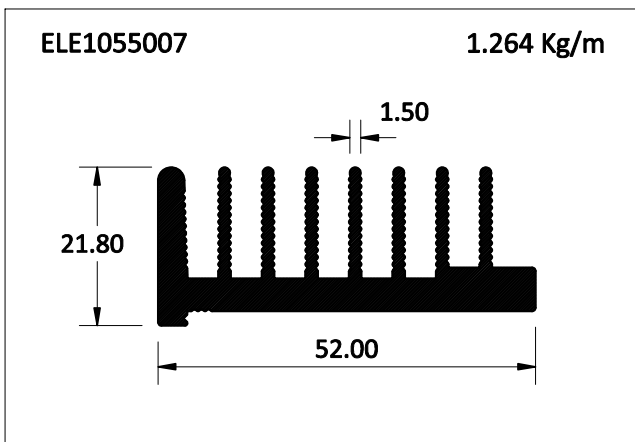
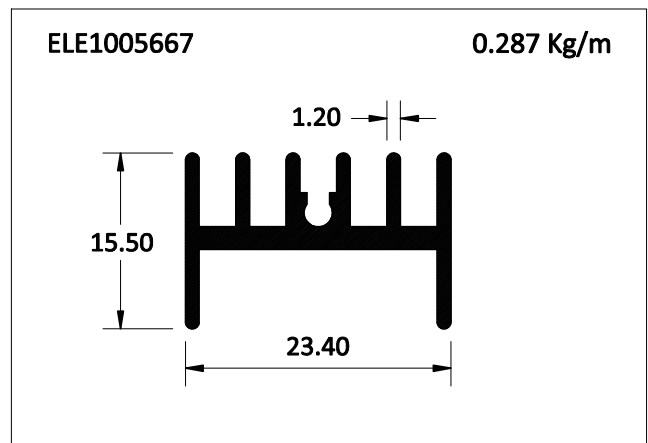
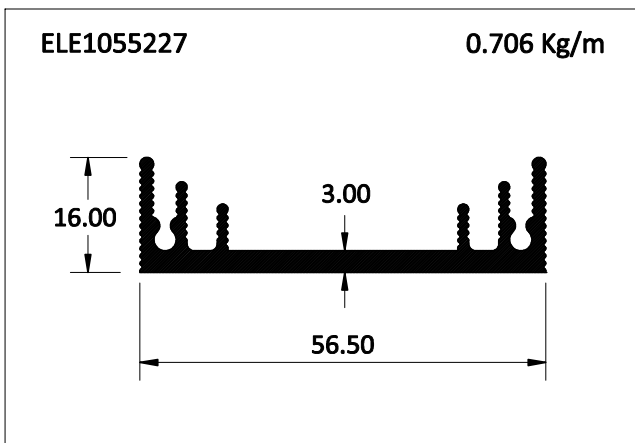
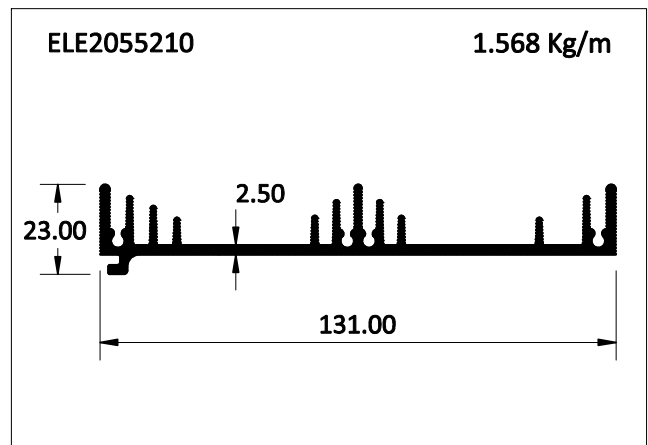
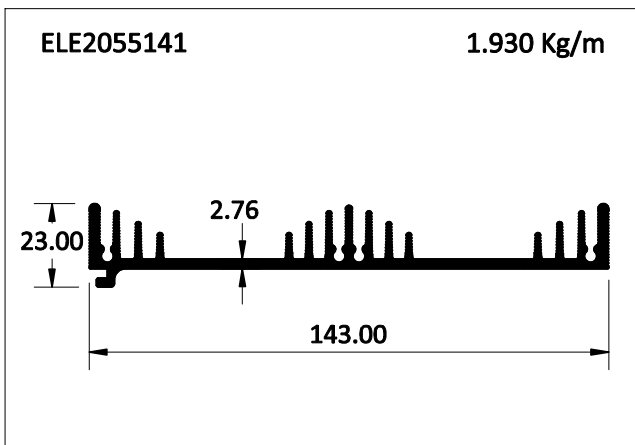
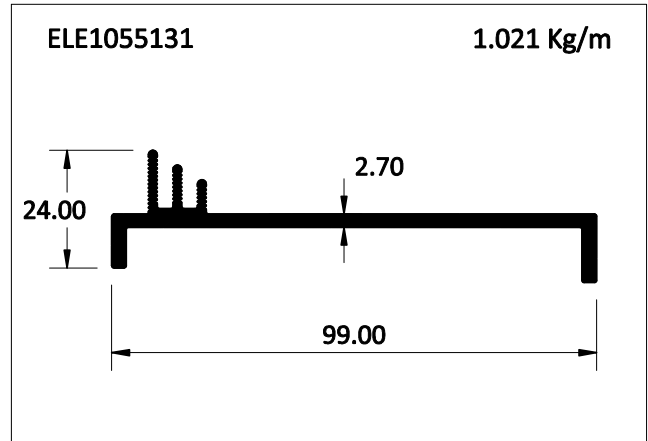
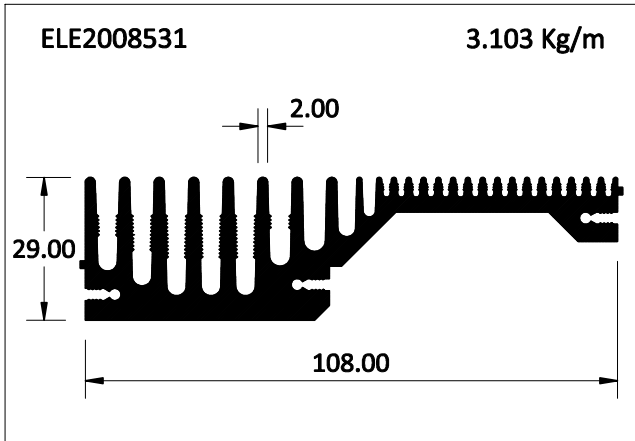
# HEATSINK



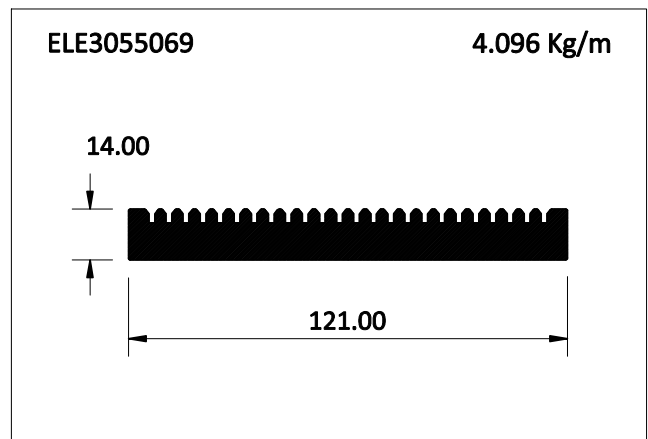
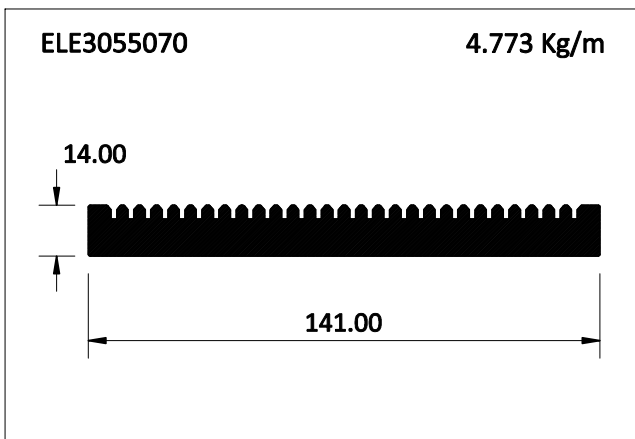
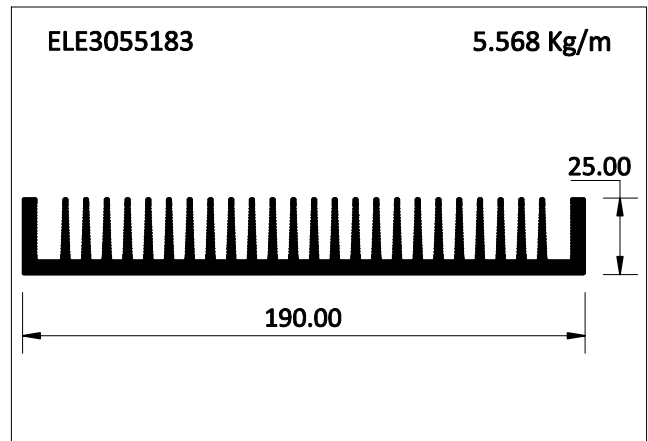
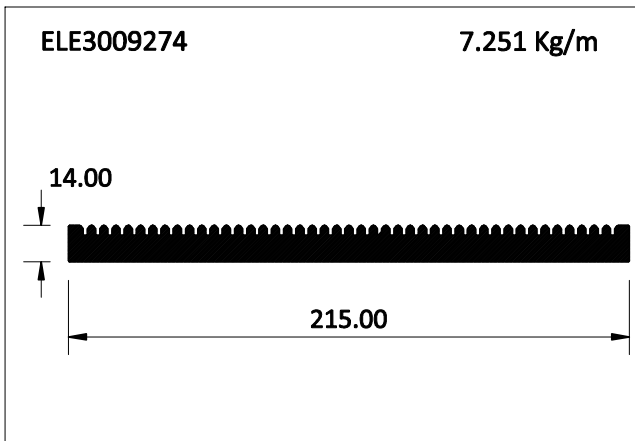
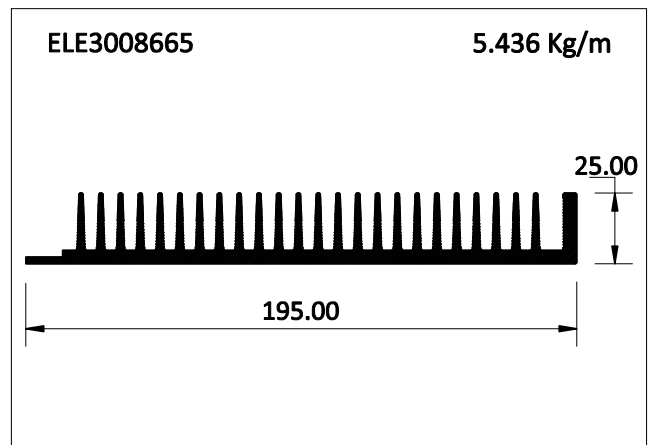
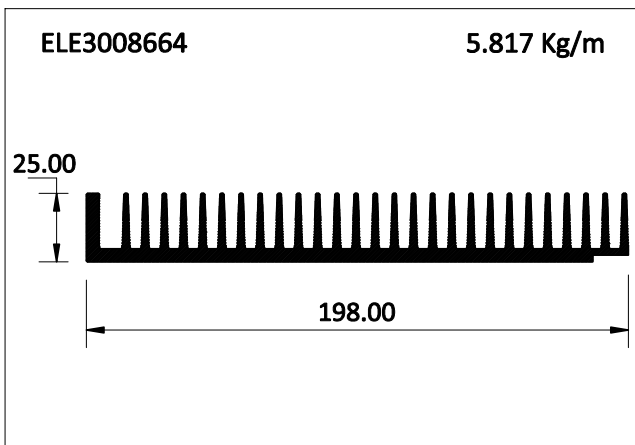
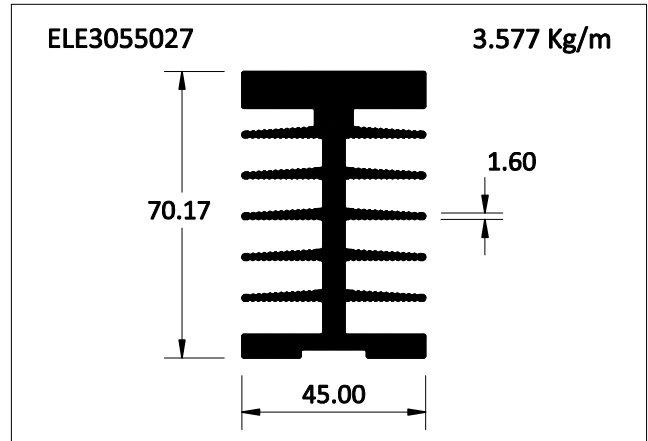
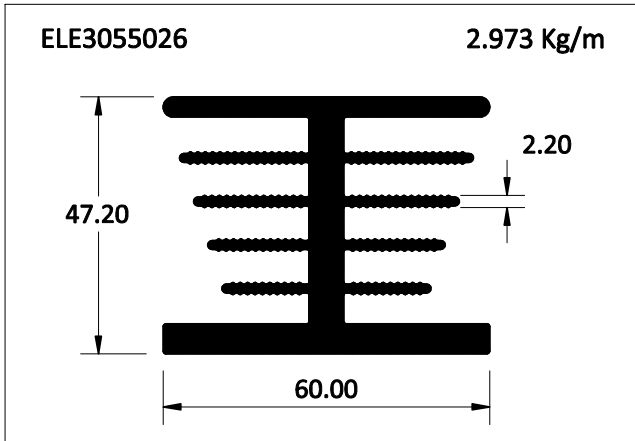
# HEATSINK



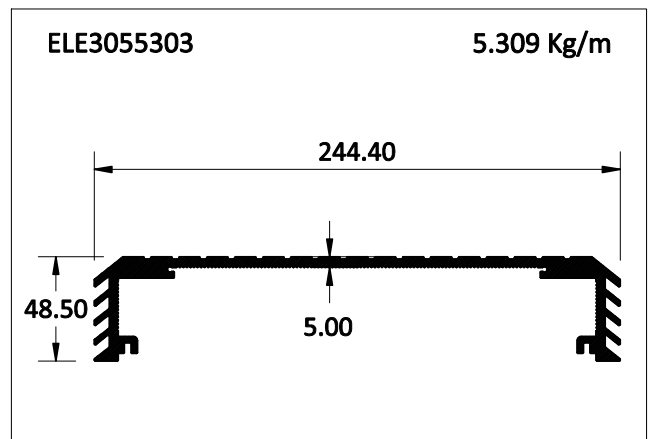
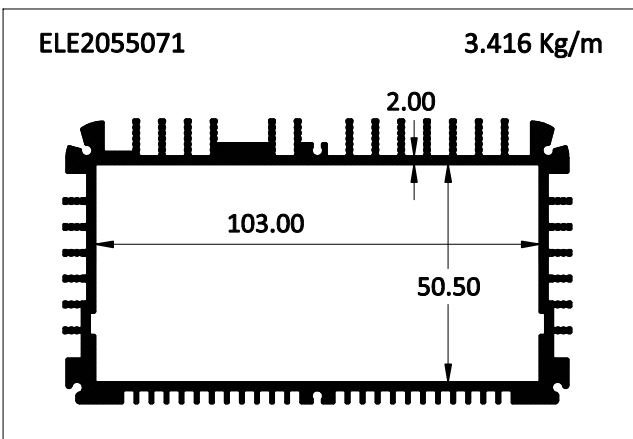
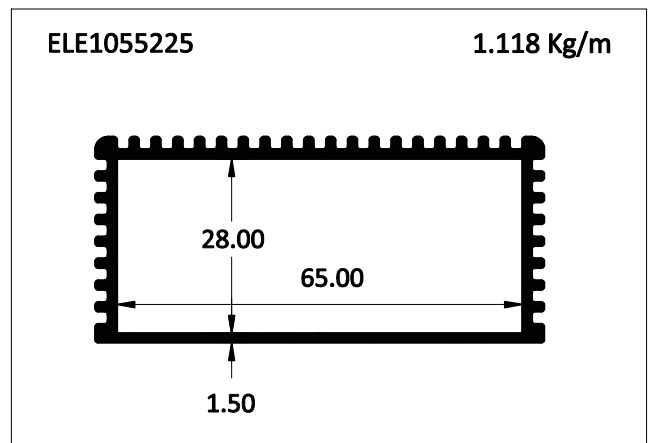
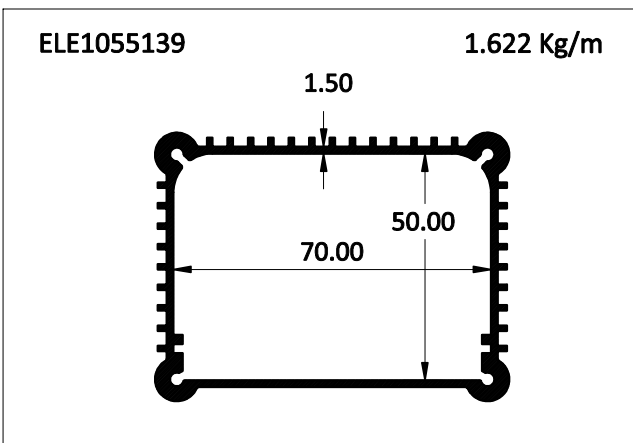
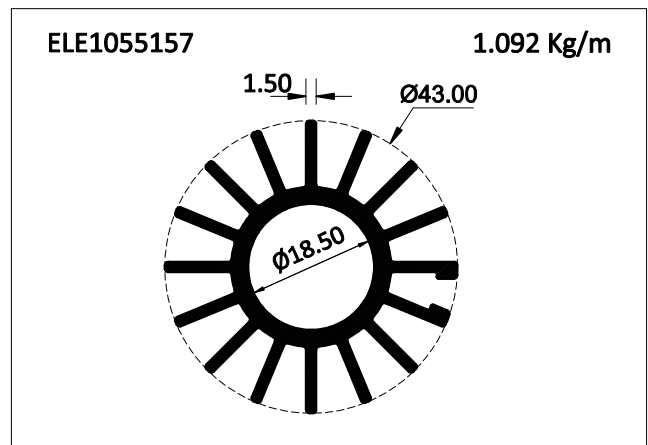
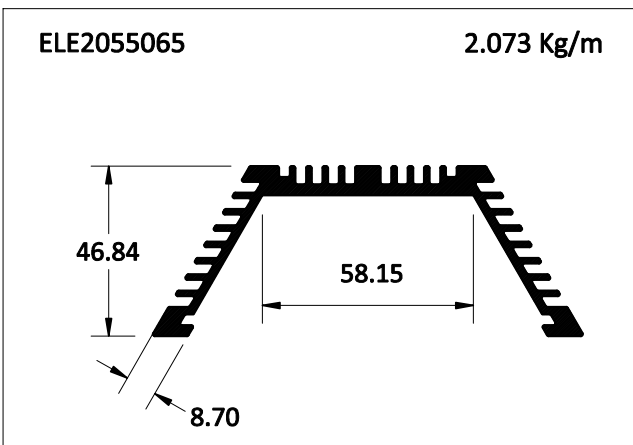
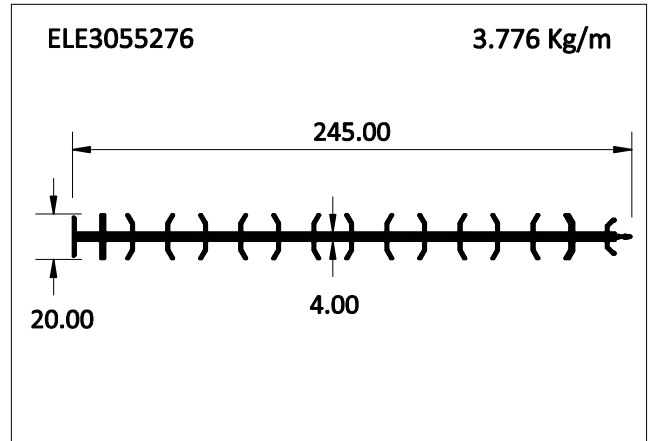
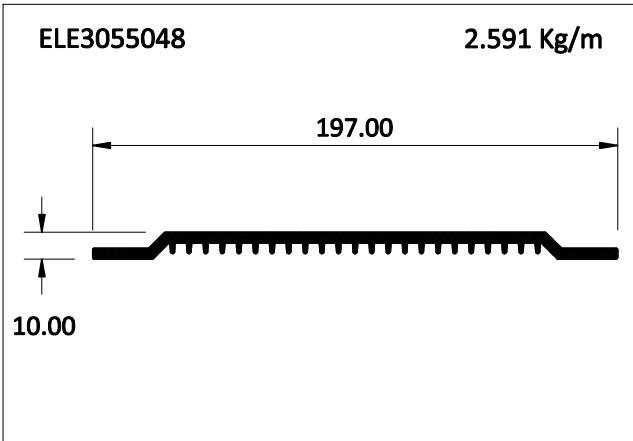
# HEATSINK



# HEATSINK



# HEATSINK



# HEATSINK

ELE1055302

0.499 Kg/m

