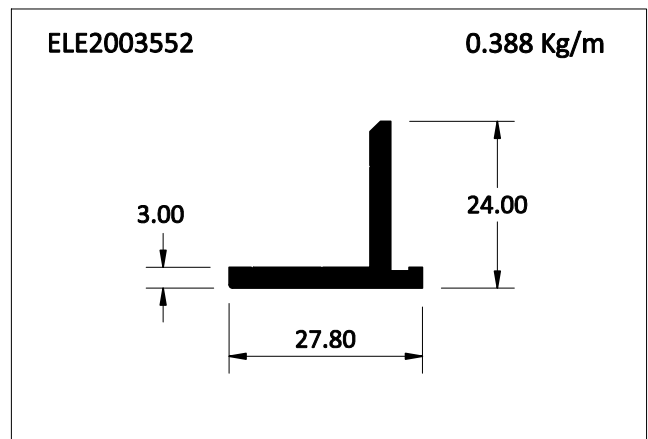
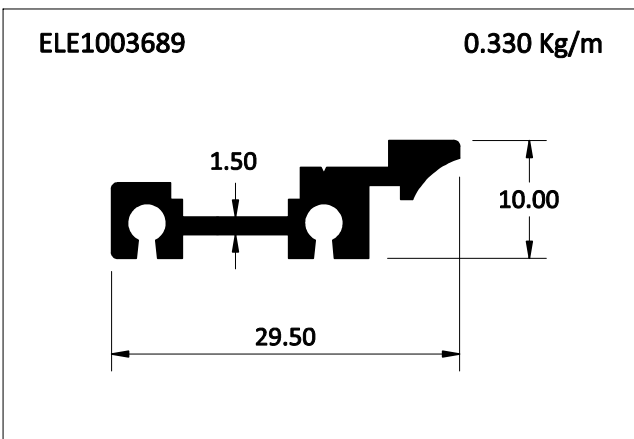
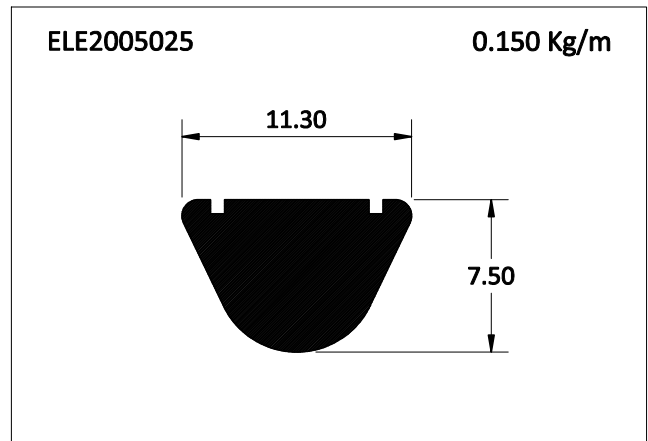
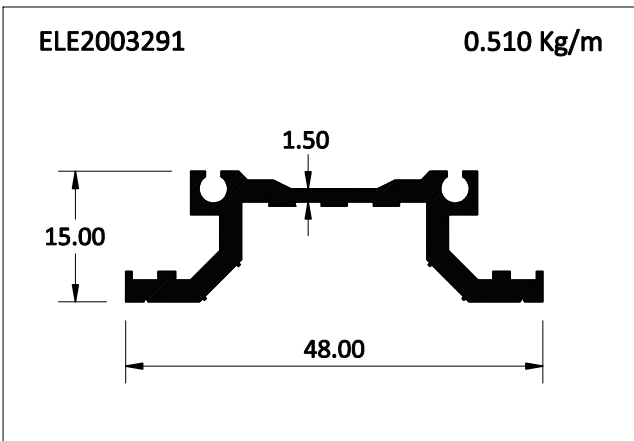
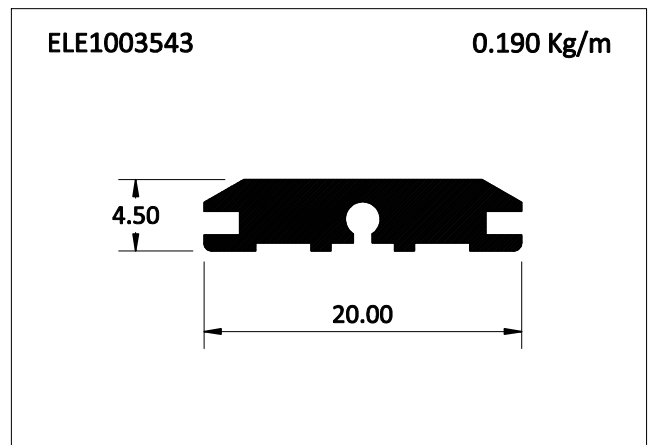
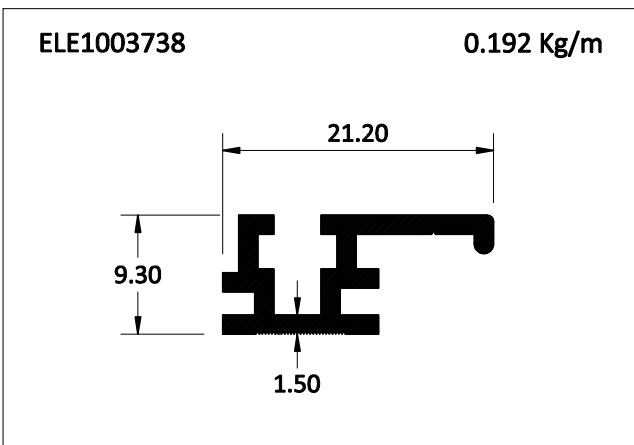
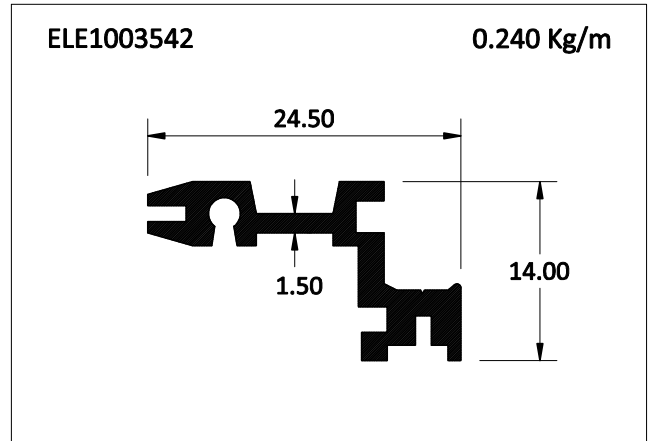
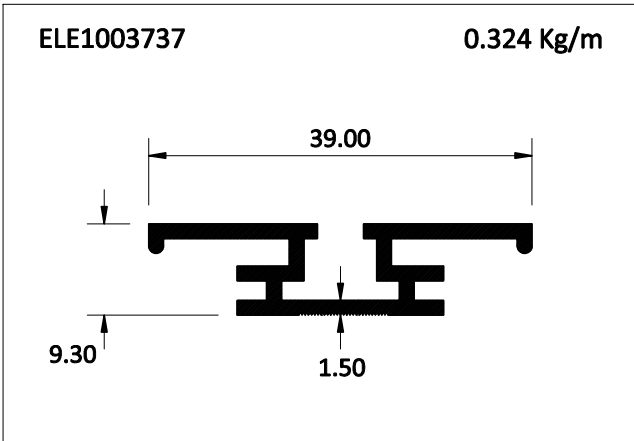
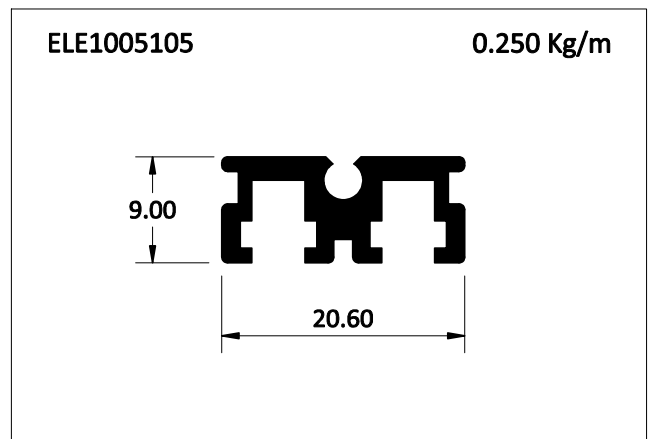
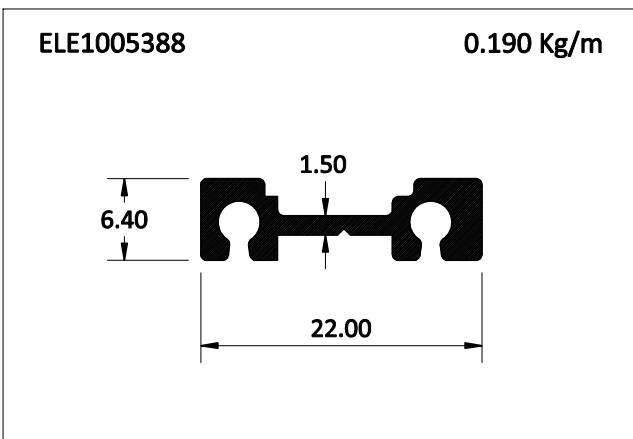
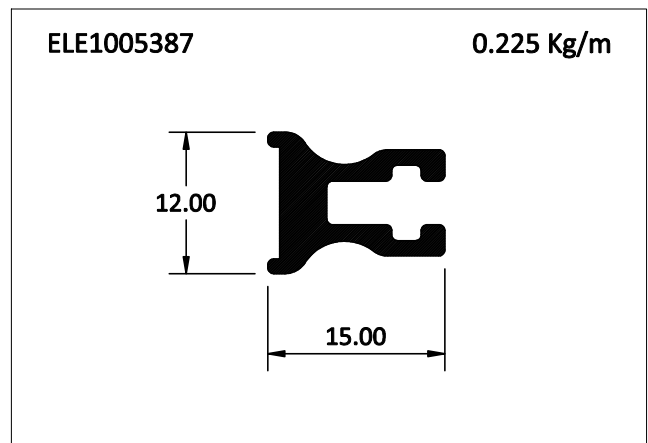
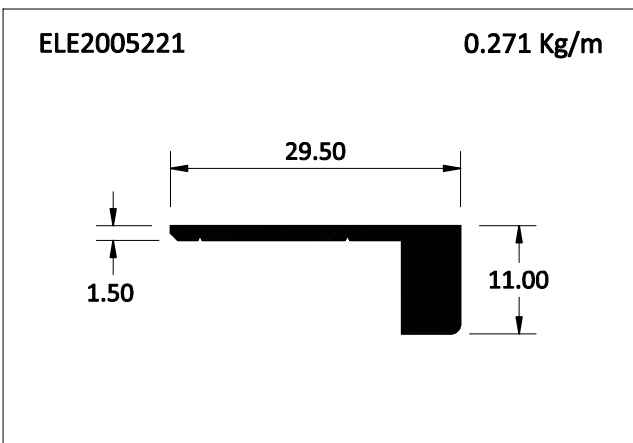
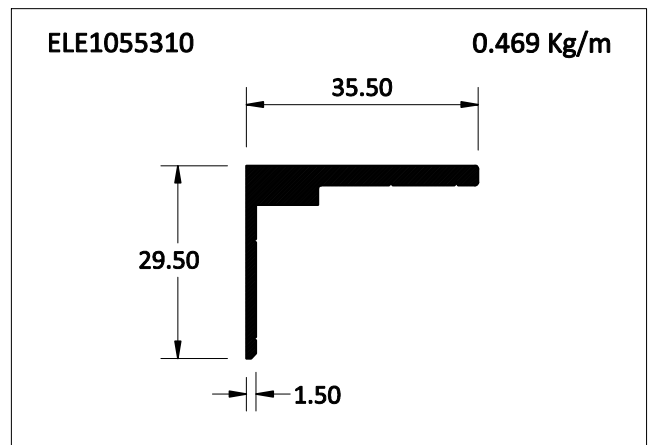
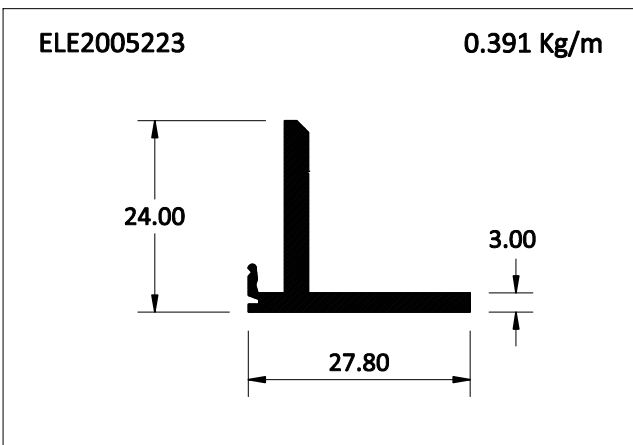
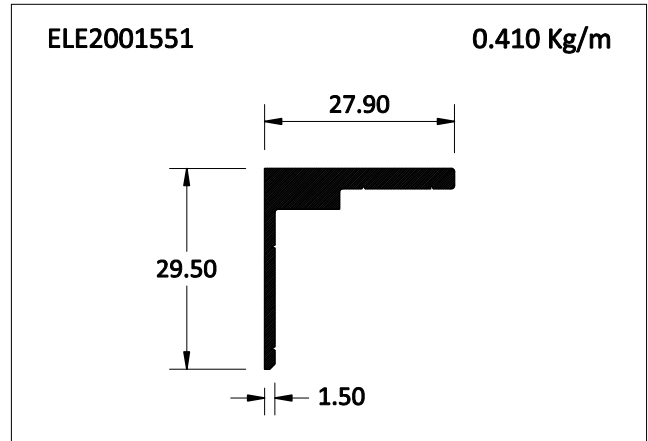
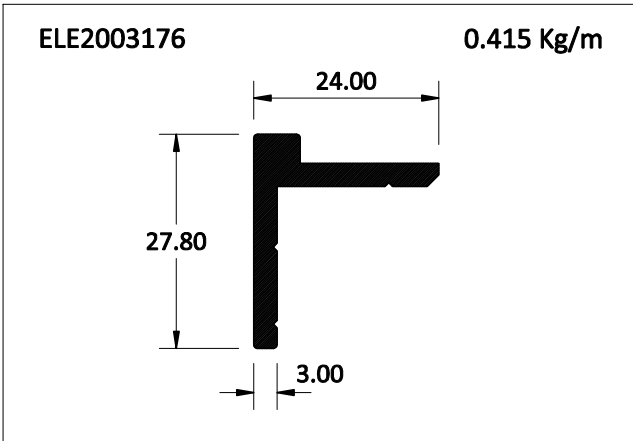


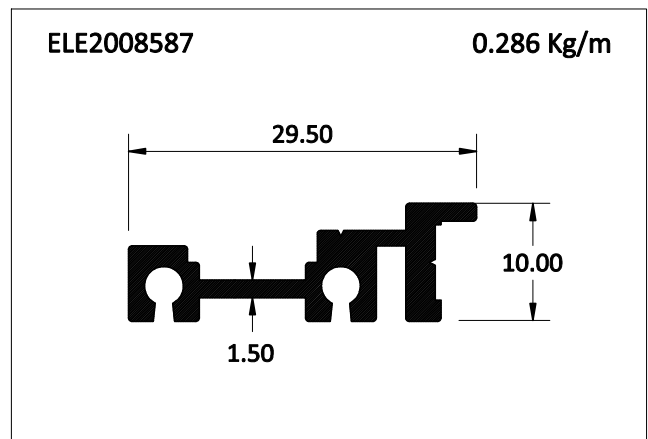
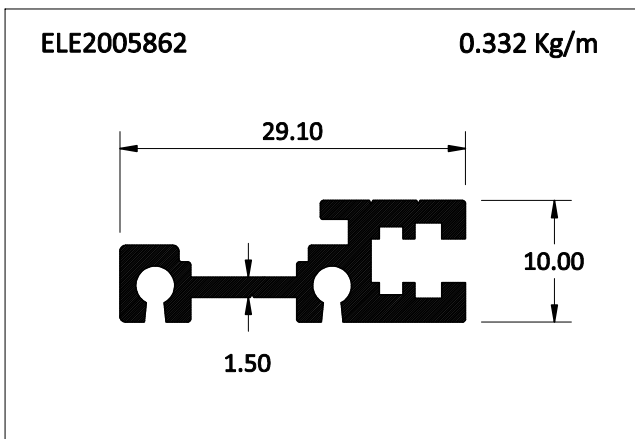
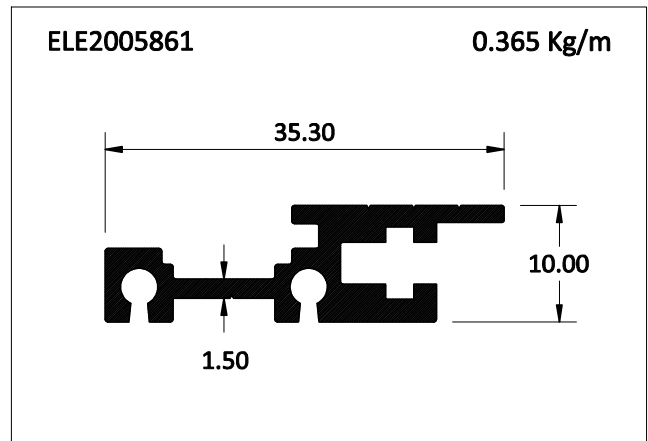
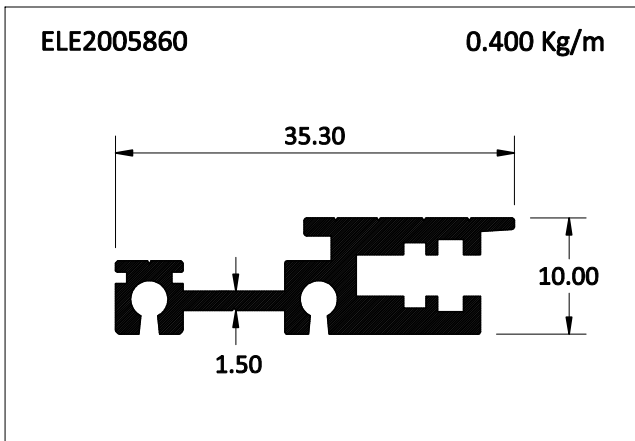
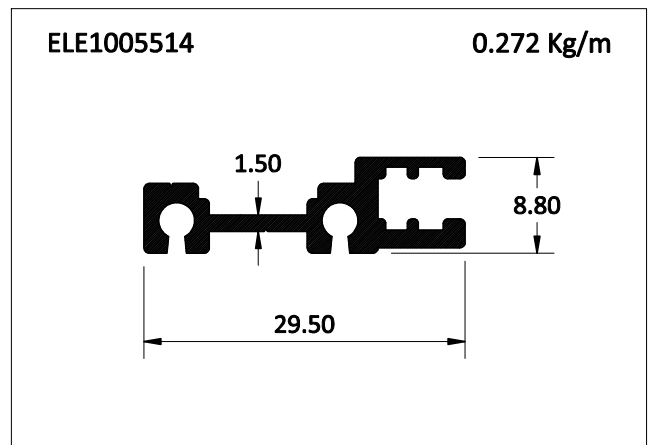
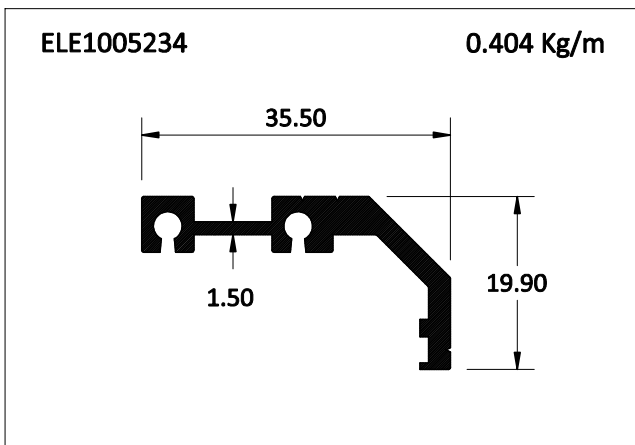
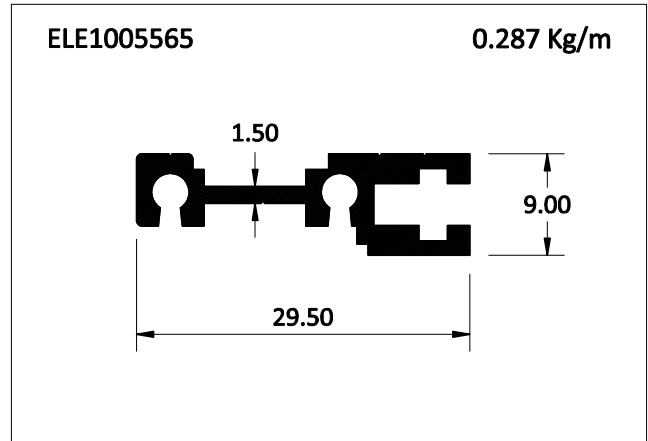
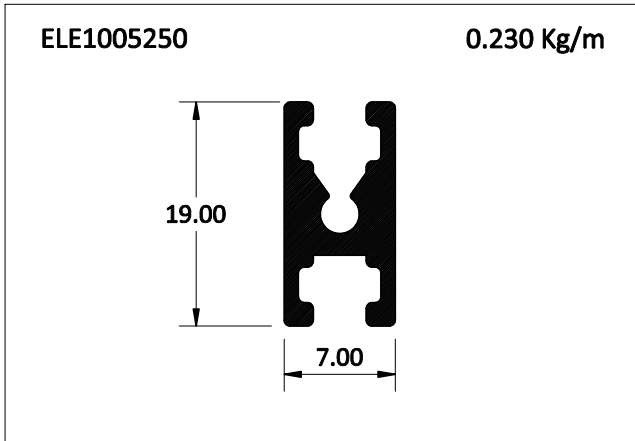
MODULAR RACKS



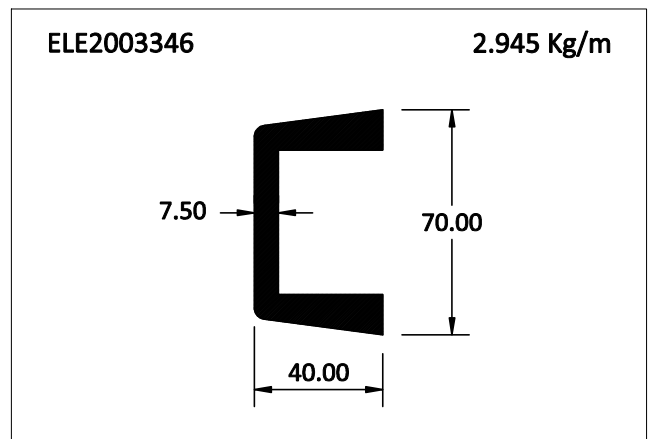
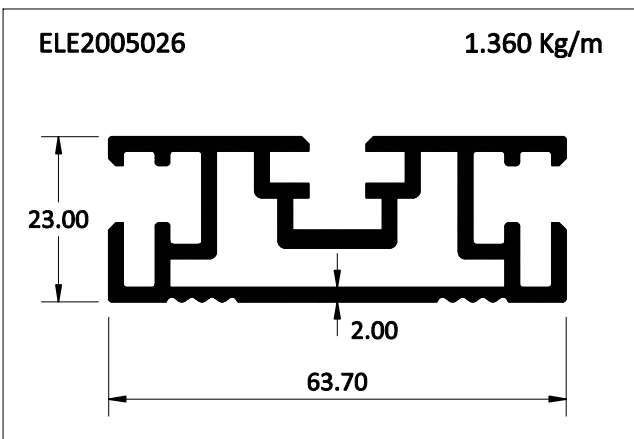
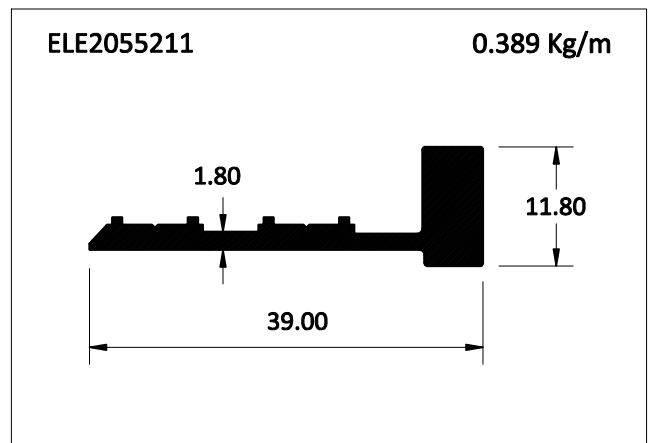
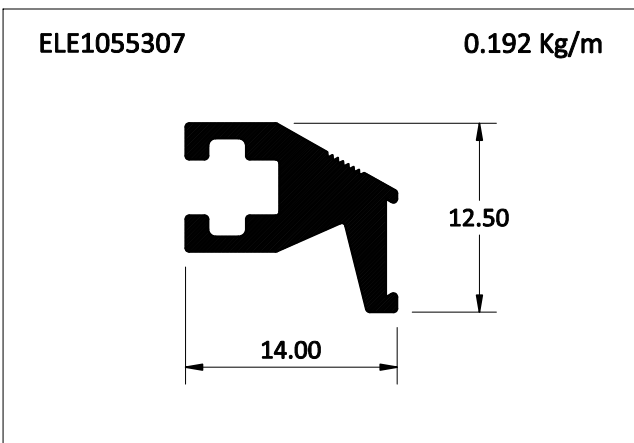
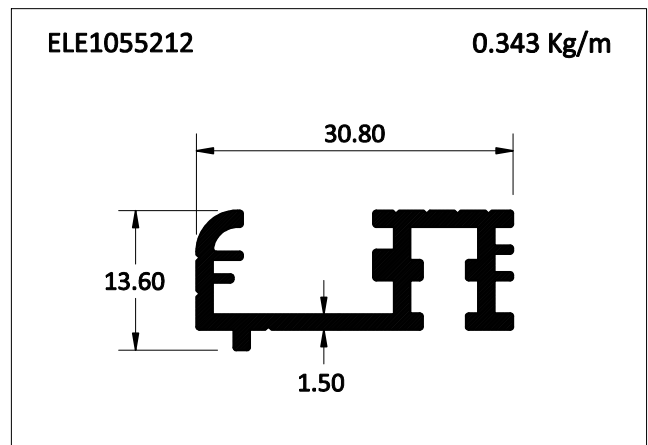
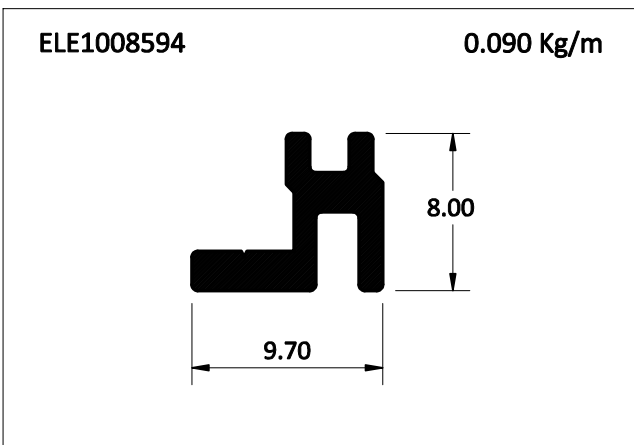
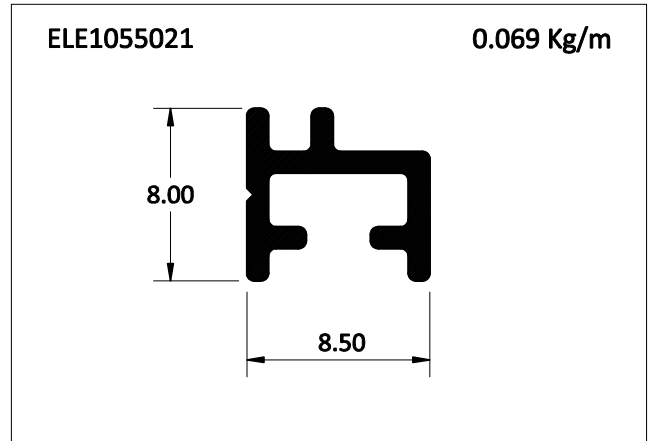
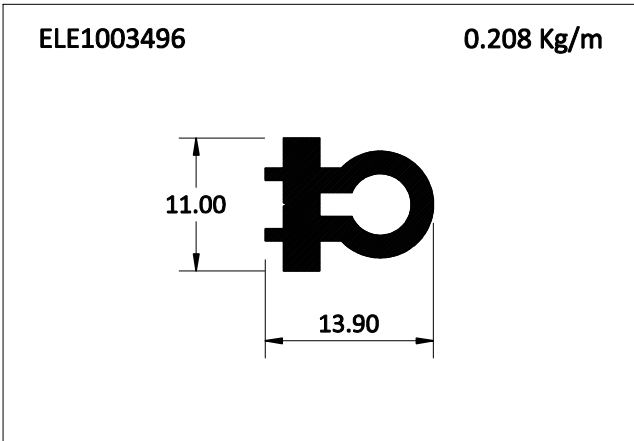
MODULAR RACKS



MODULAR RACKS



MODULAR RACKS



MODULAR RACKS

