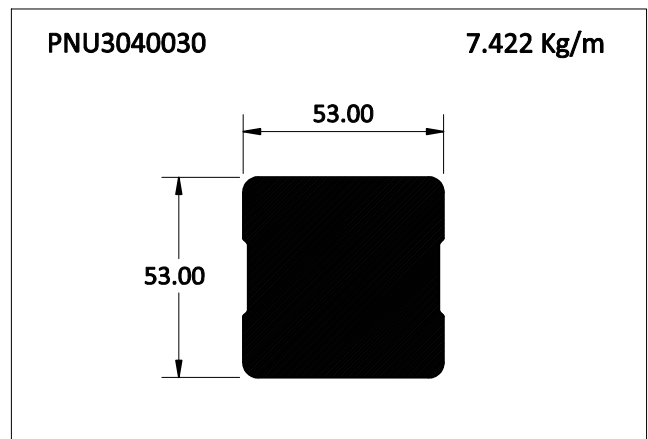
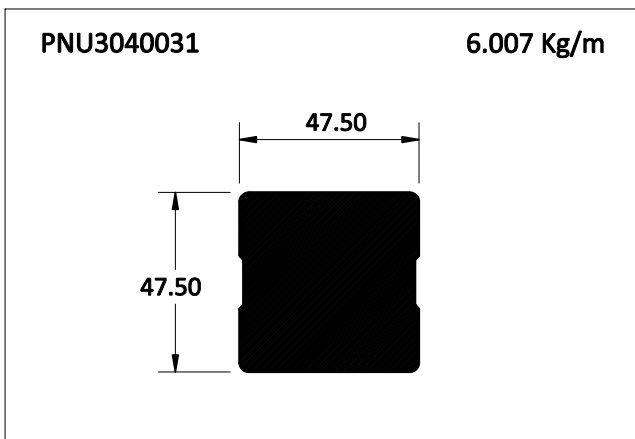
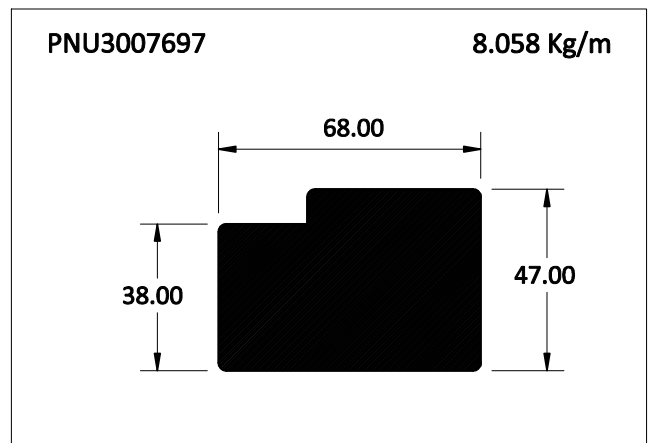
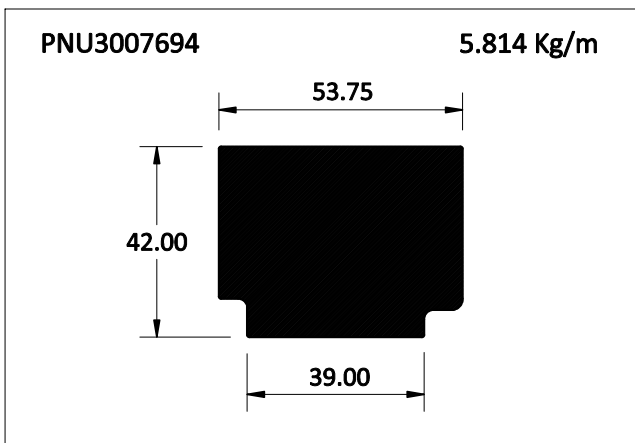
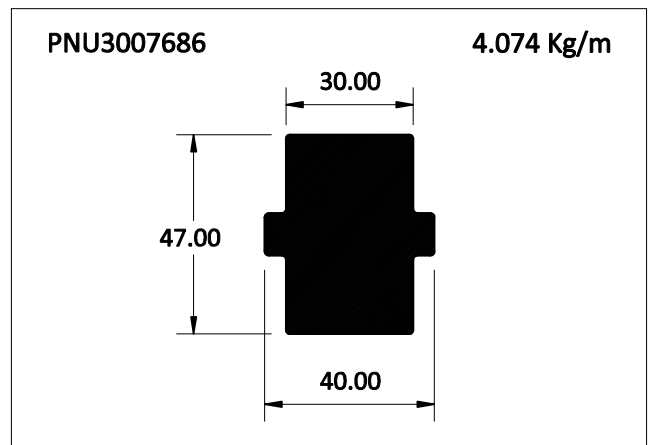
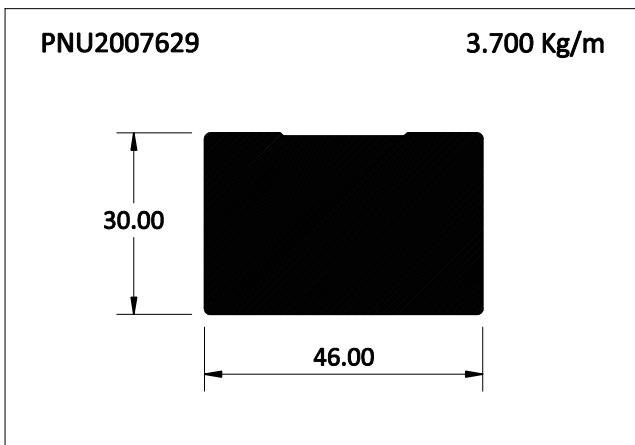
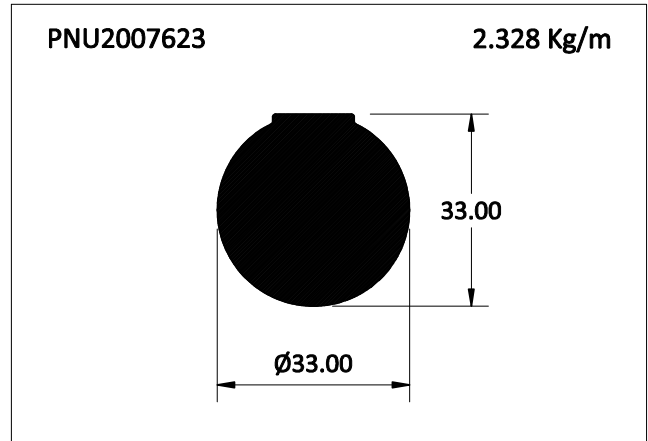
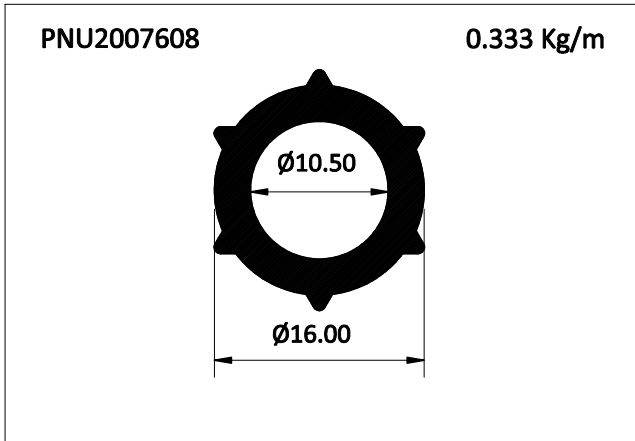
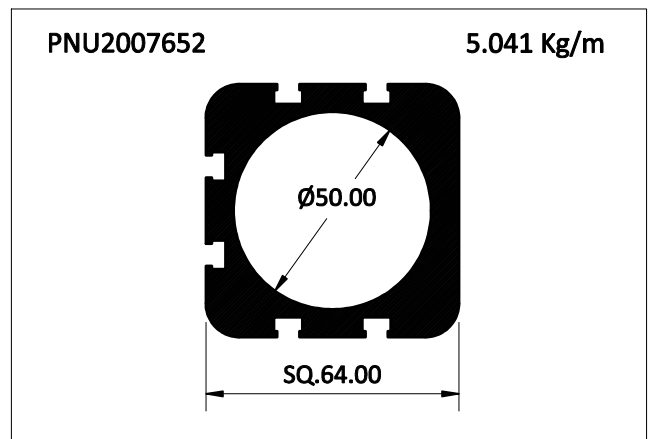
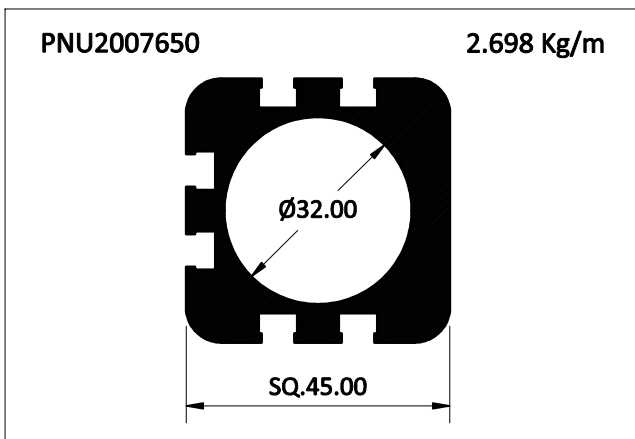
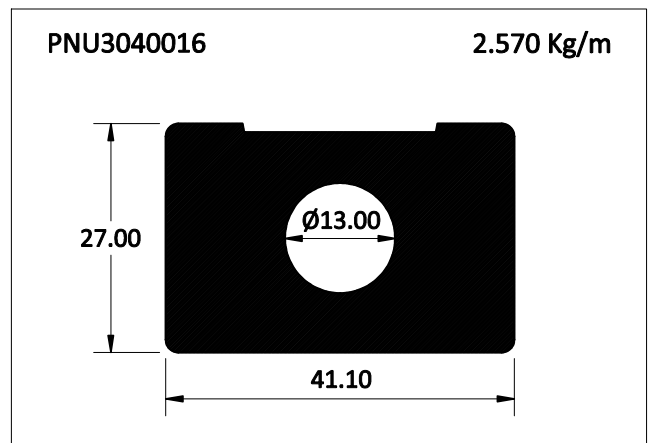
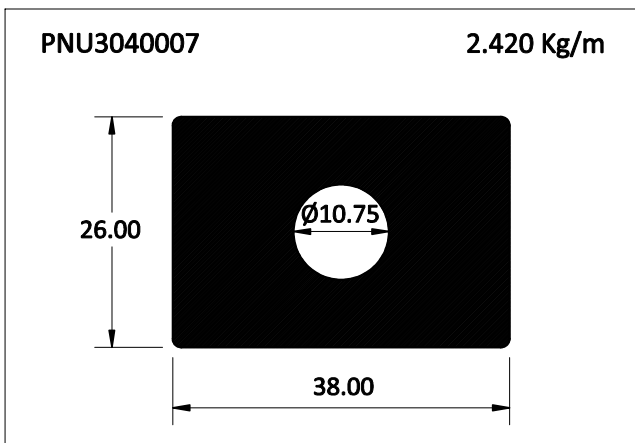
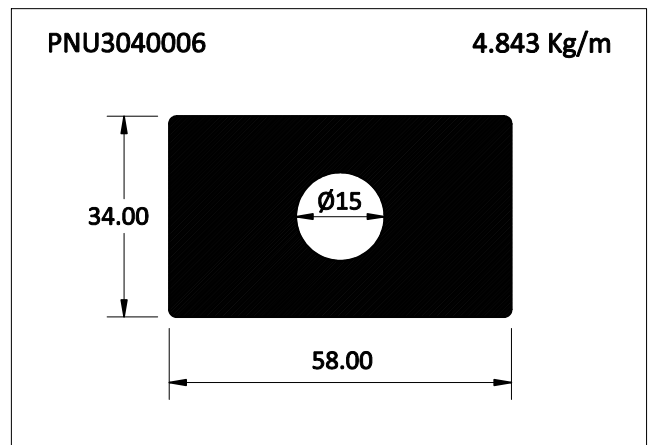
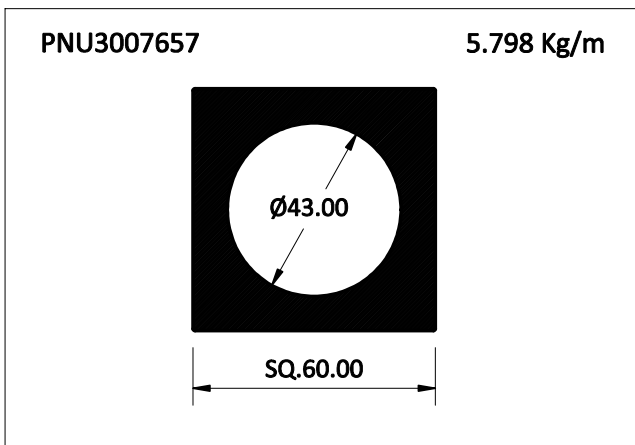
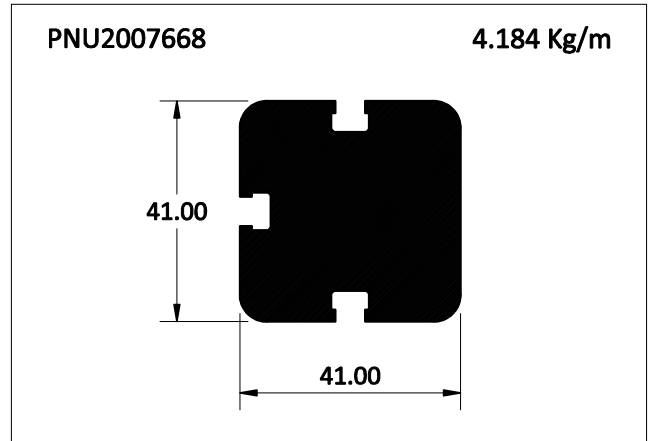
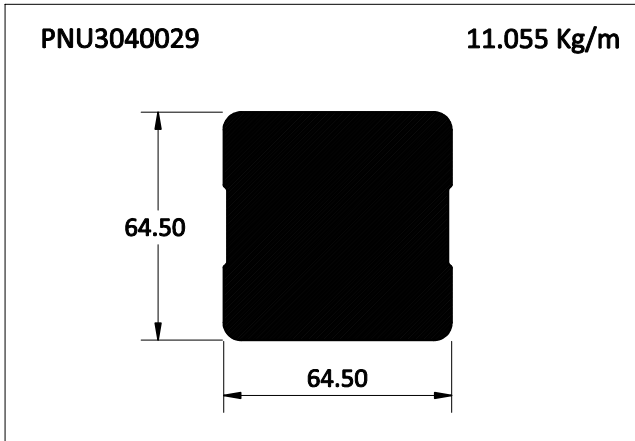


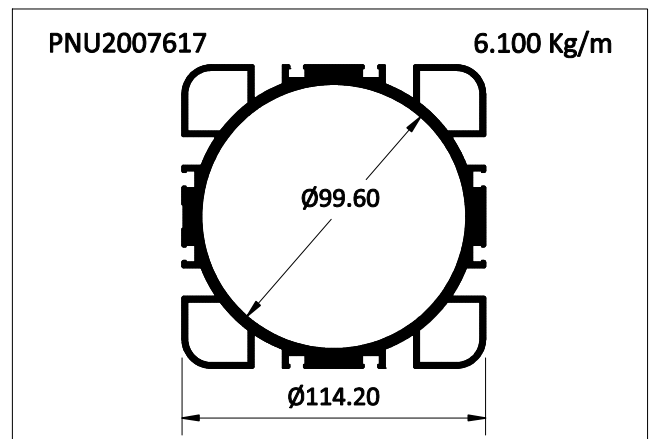
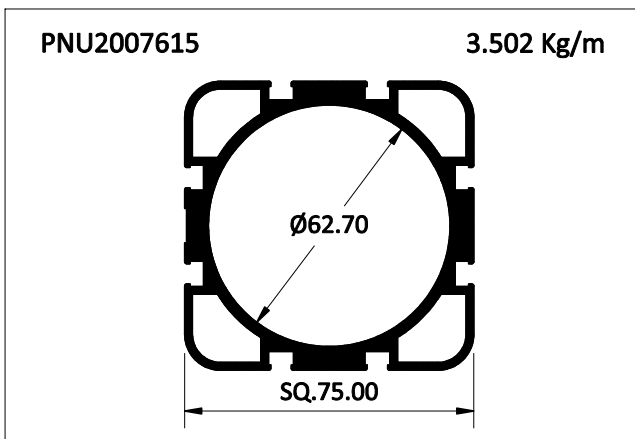
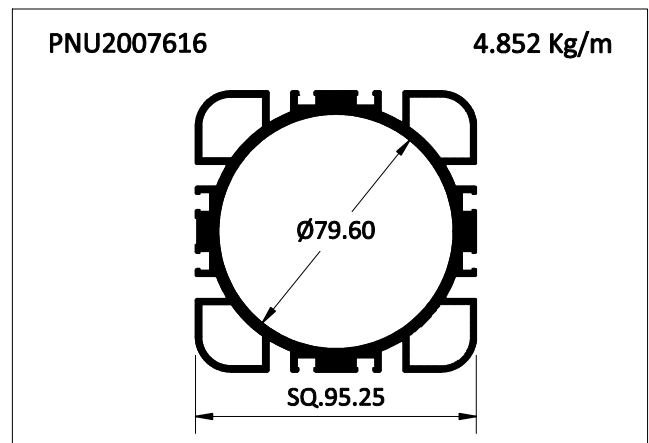
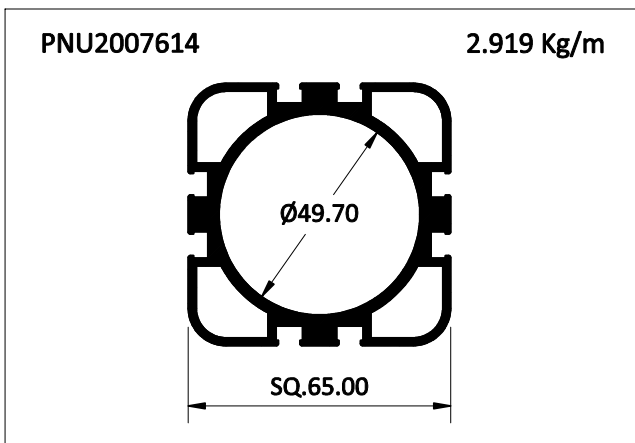
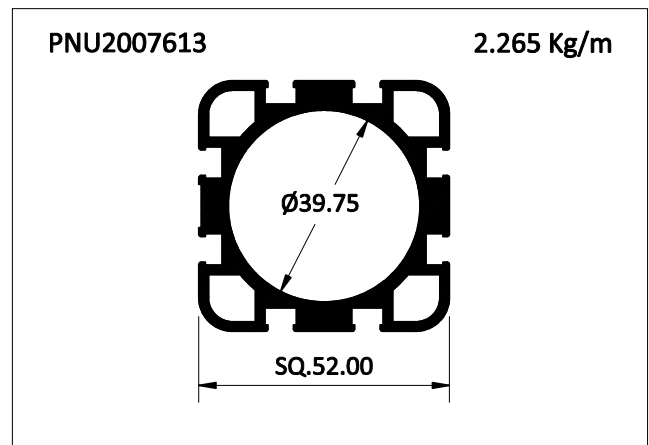
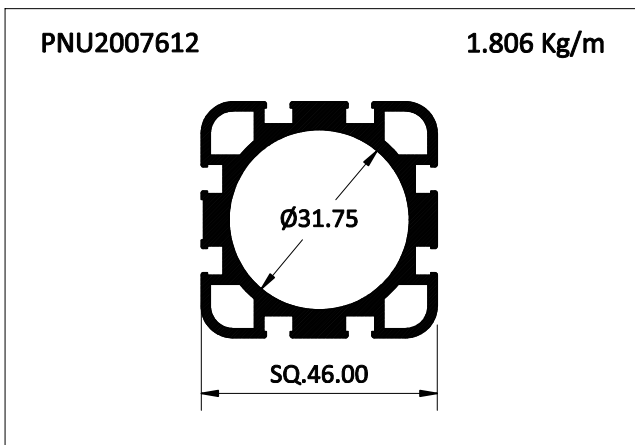
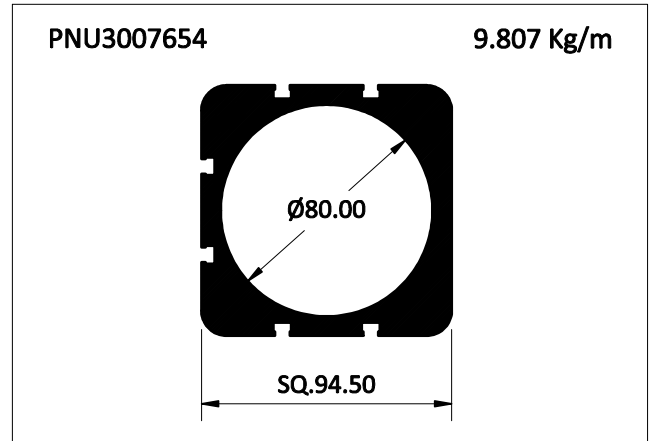
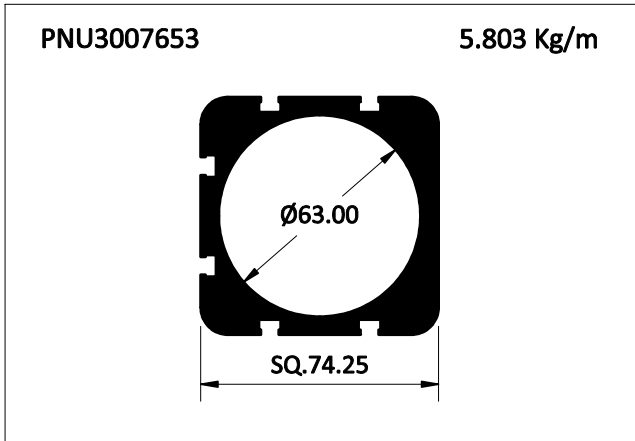
PNEUMATIC SECTIONS



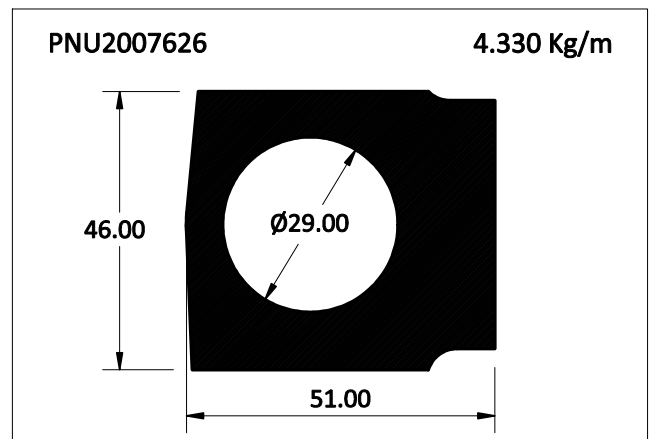
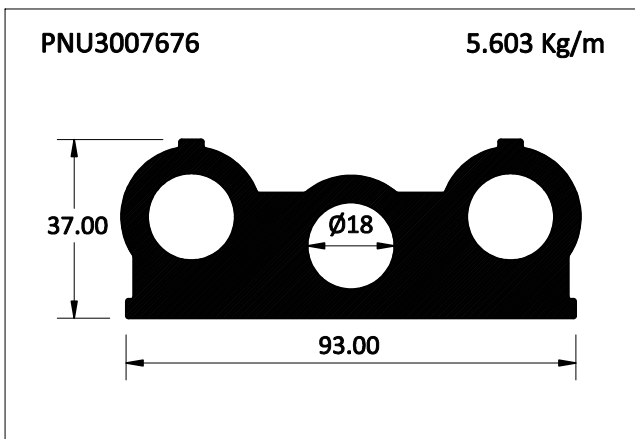
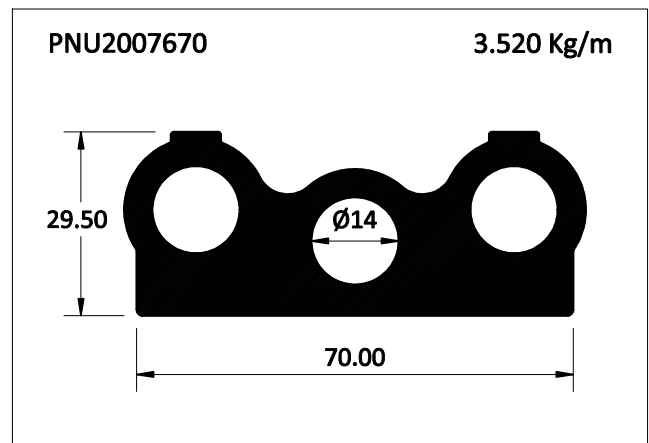
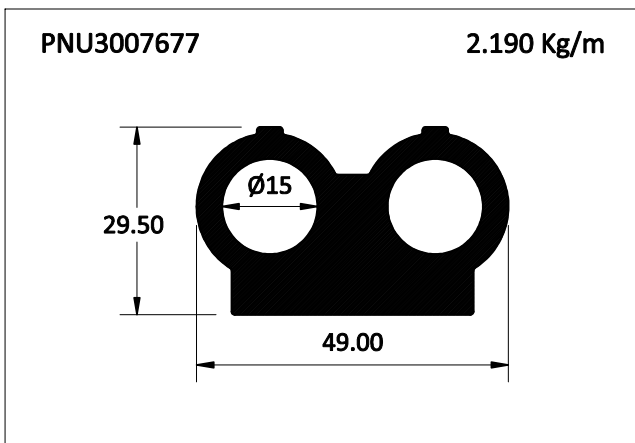
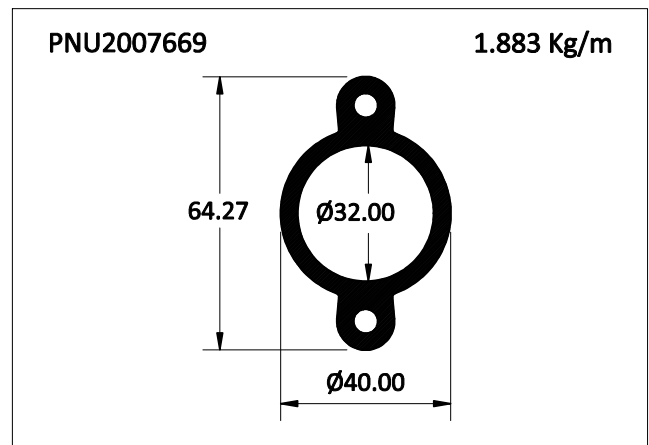
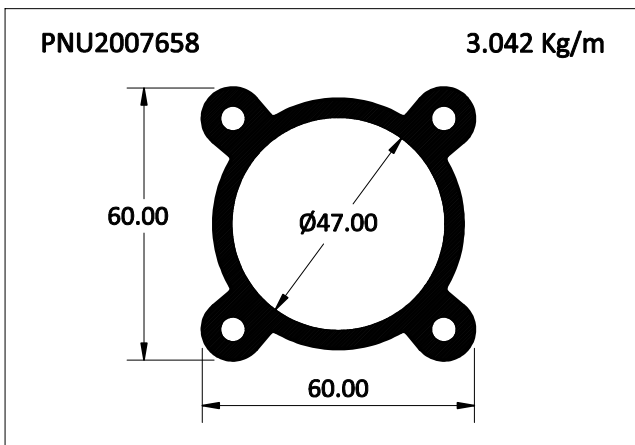
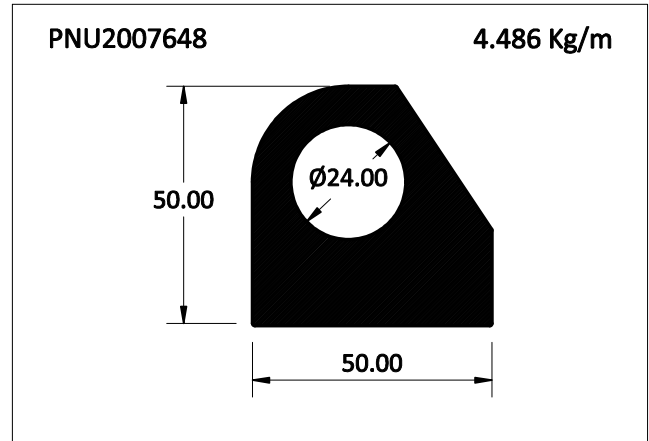
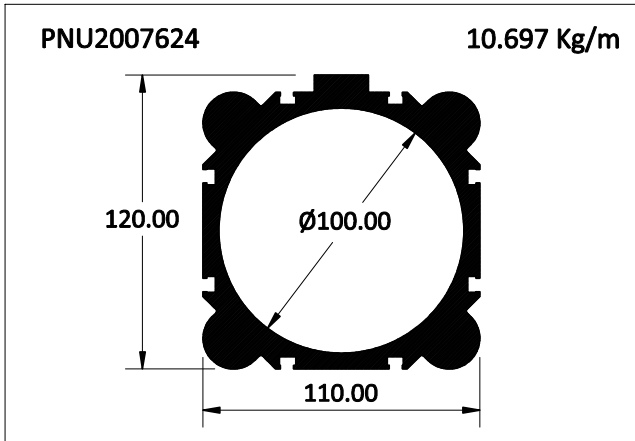
PNEUMATIC SECTIONS



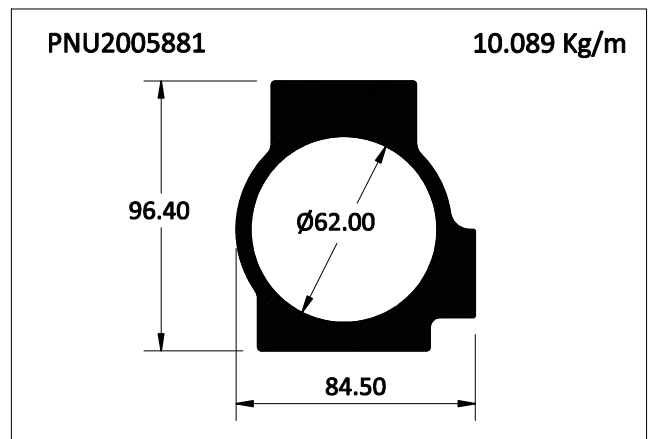
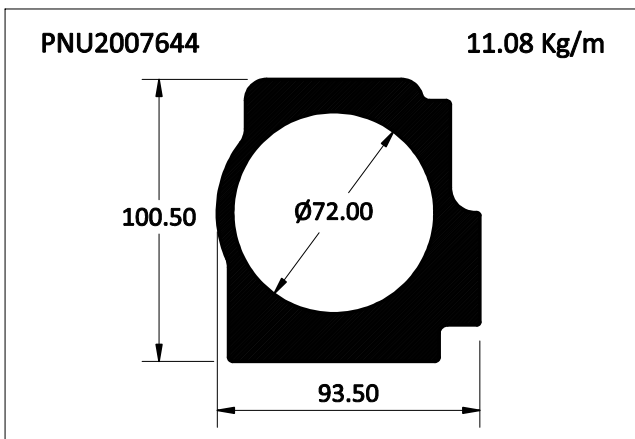
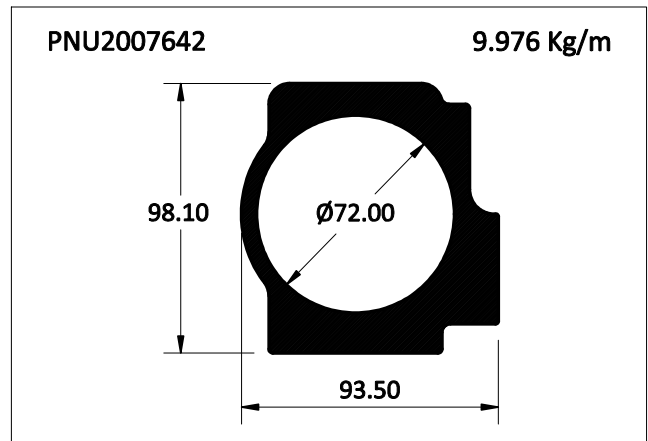
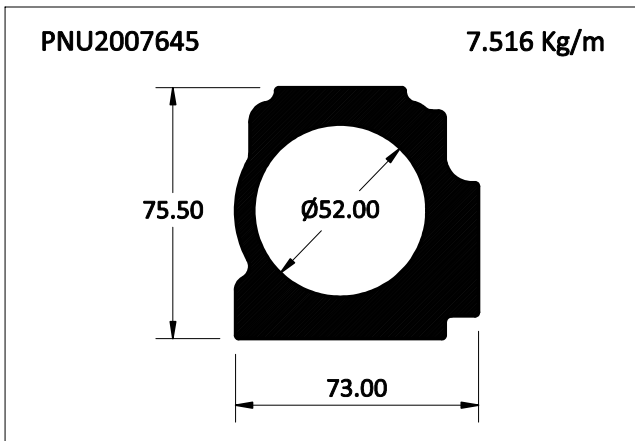
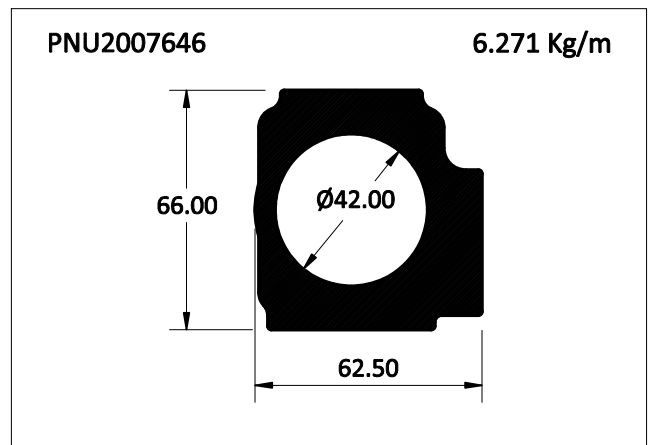
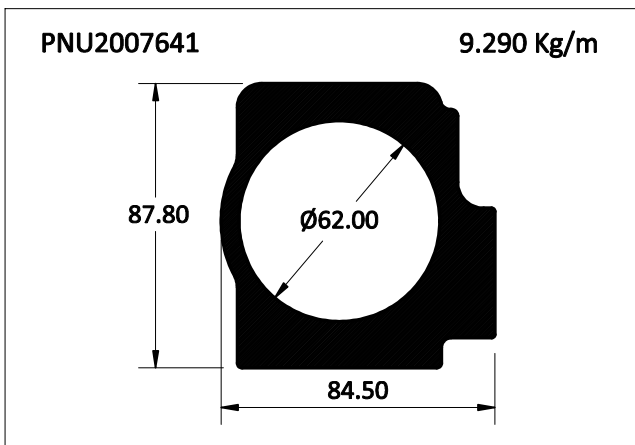
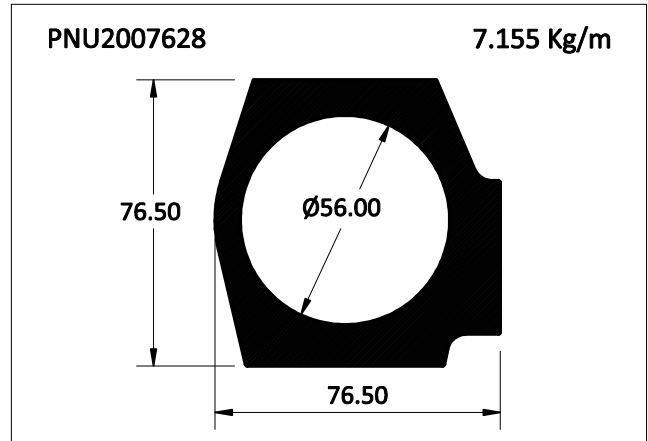
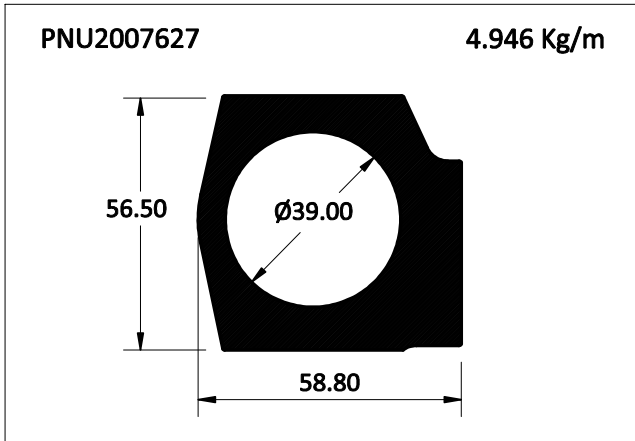
PNEUMATIC SECTIONS



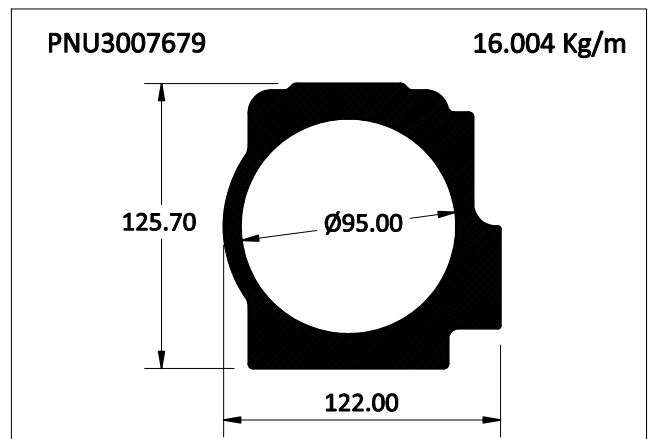
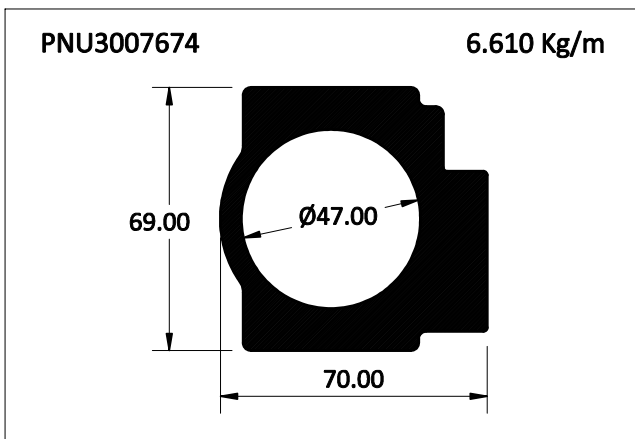
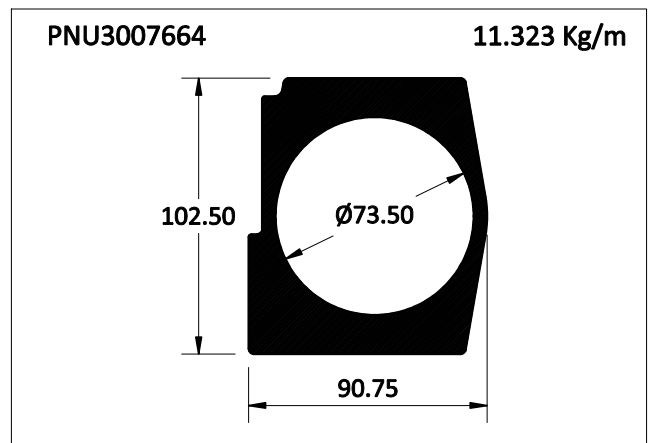
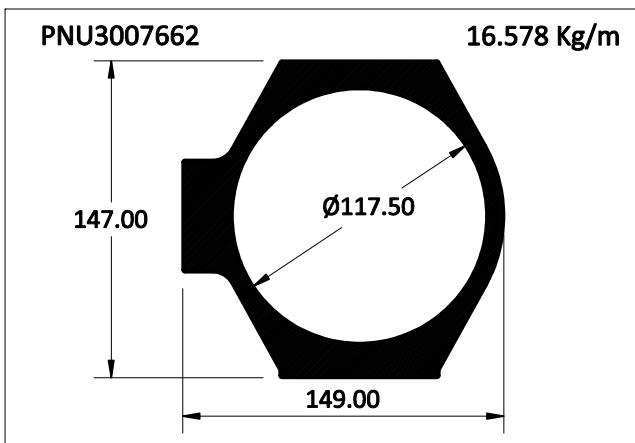
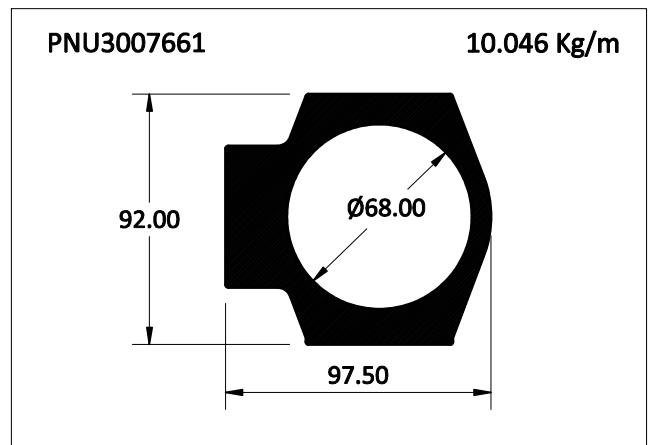
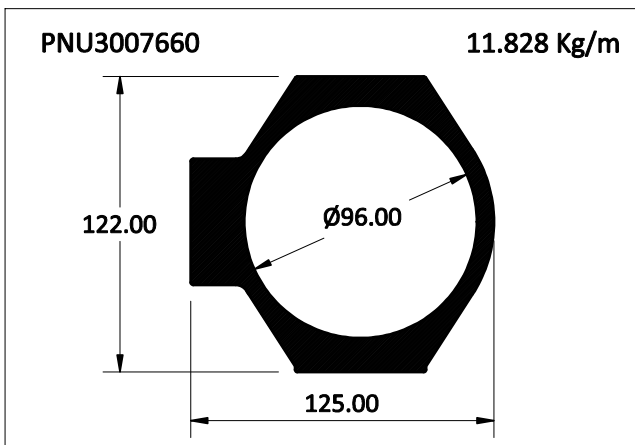
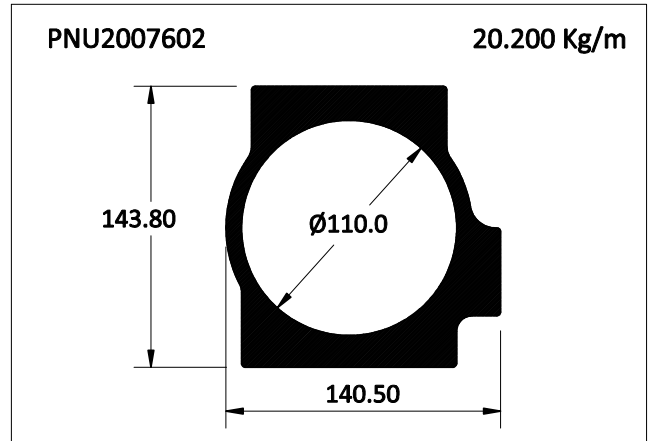
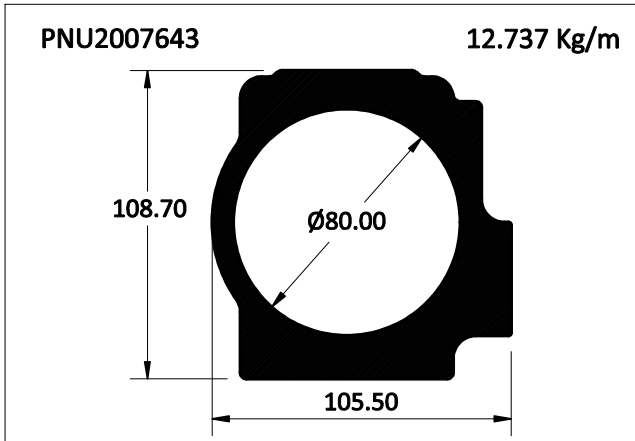
PNEUMATIC SECTIONS



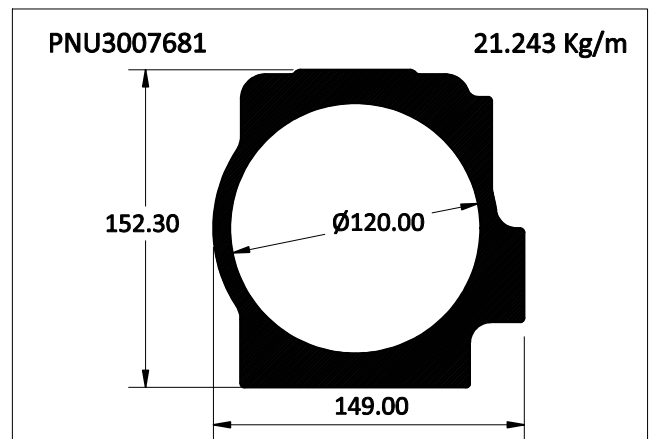
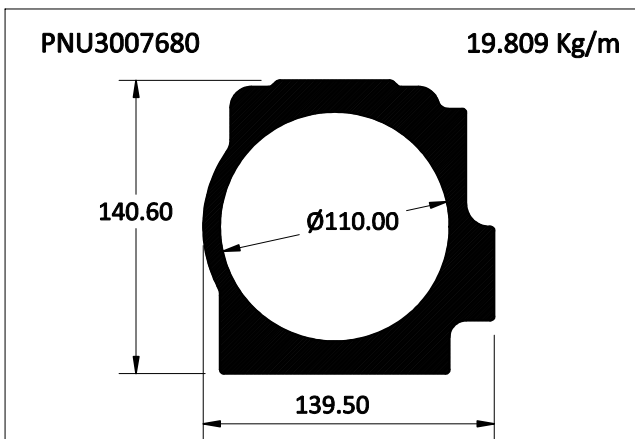
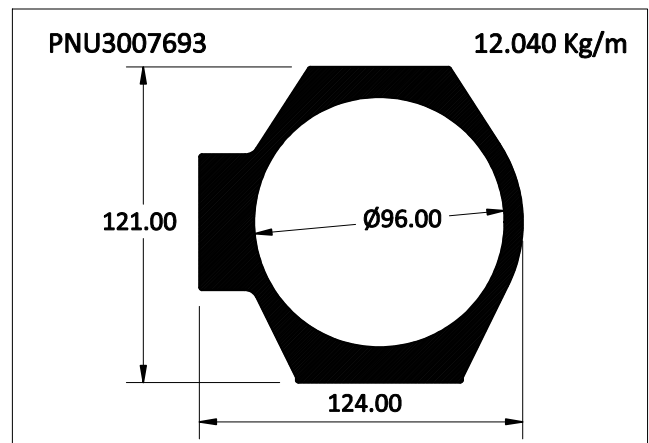
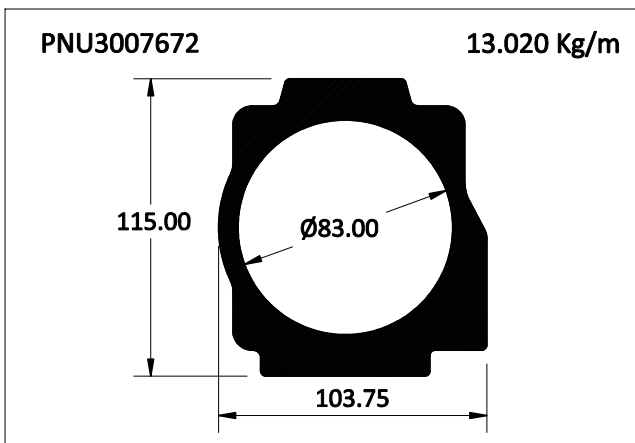
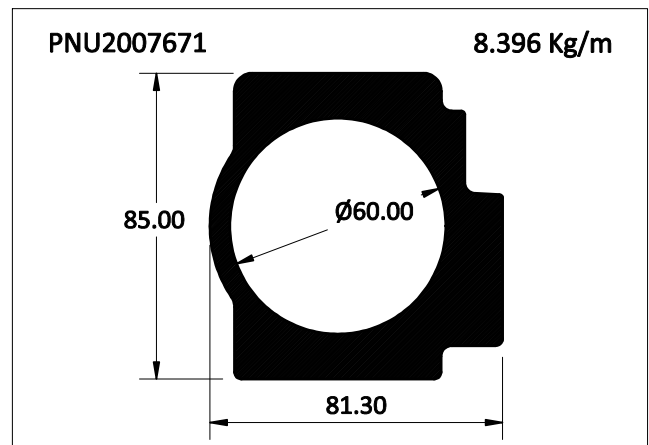
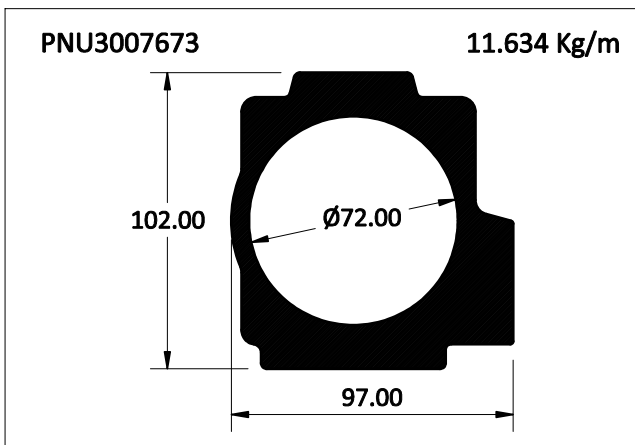
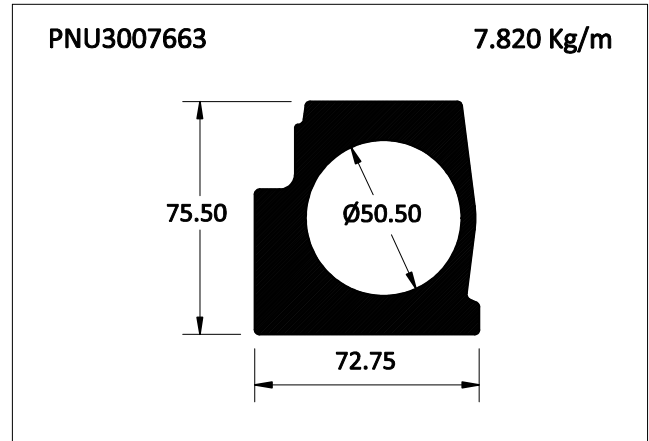
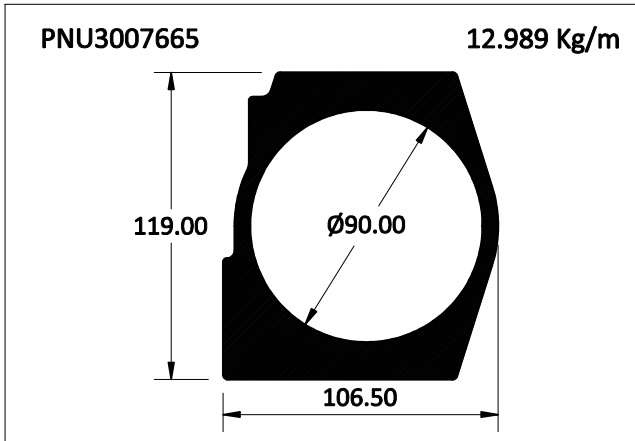
PNEUMATIC SECTIONS



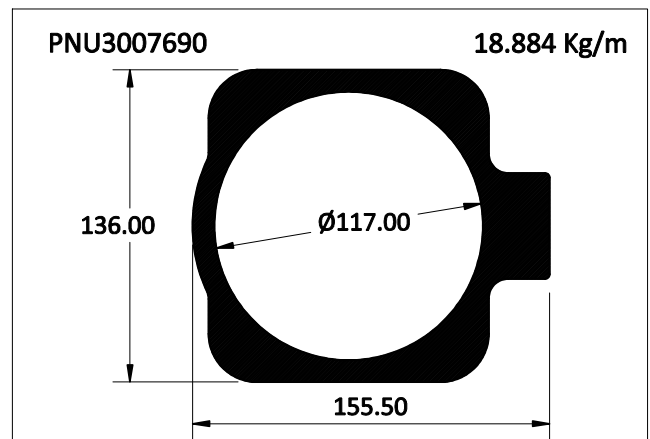
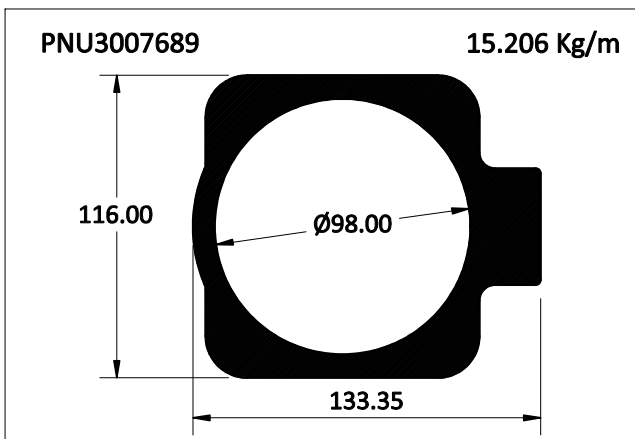
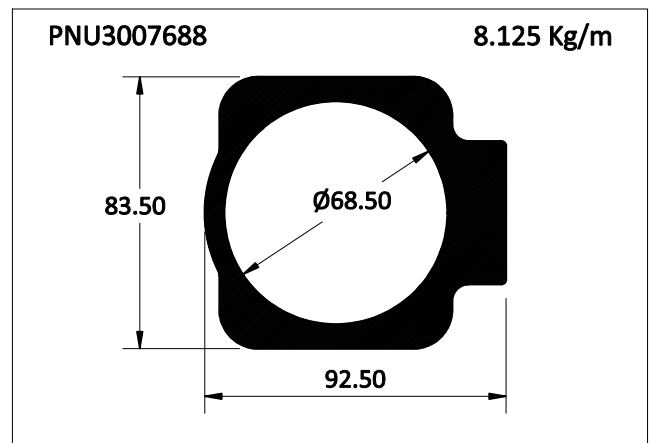
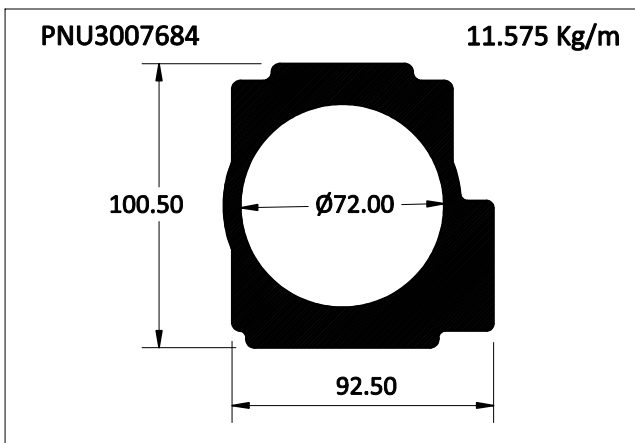
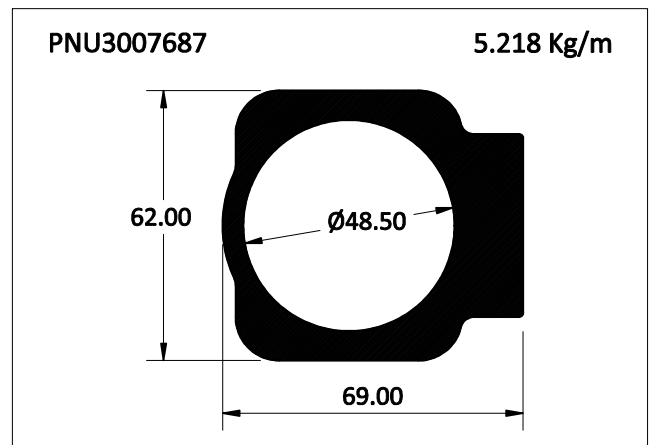
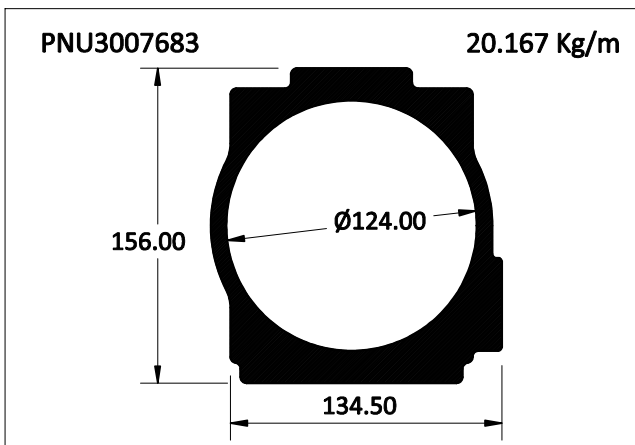
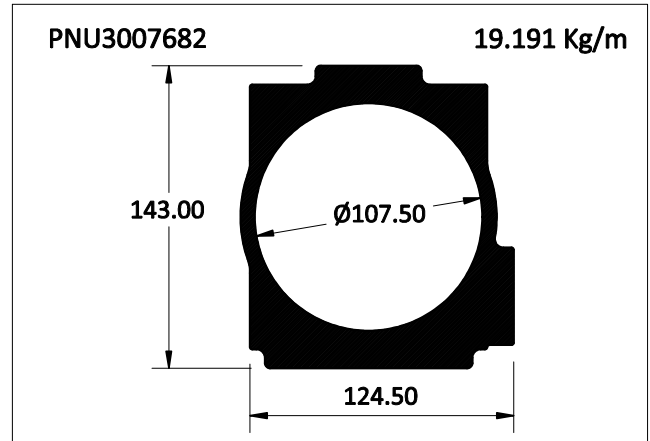
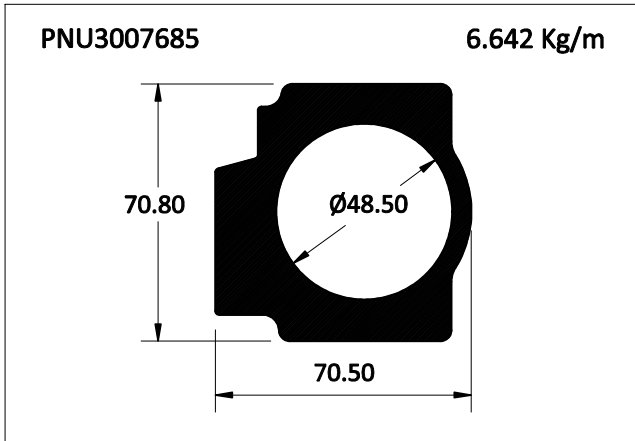
PNEUMATIC SECTIONS



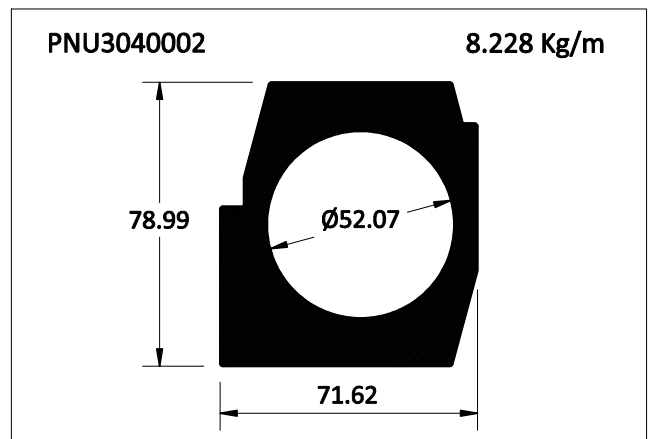
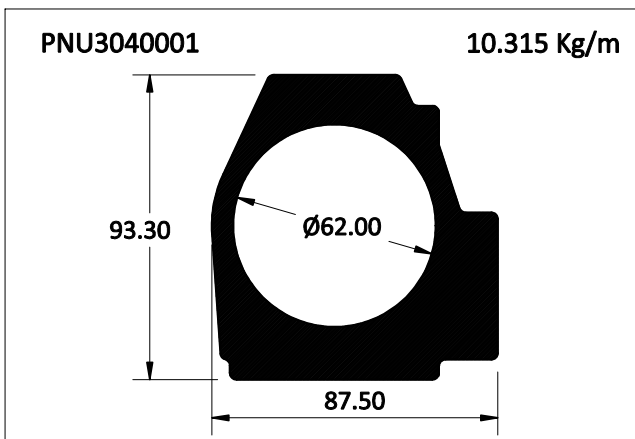
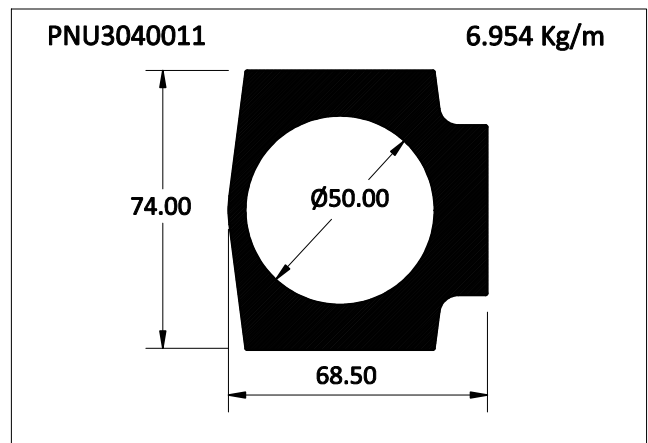
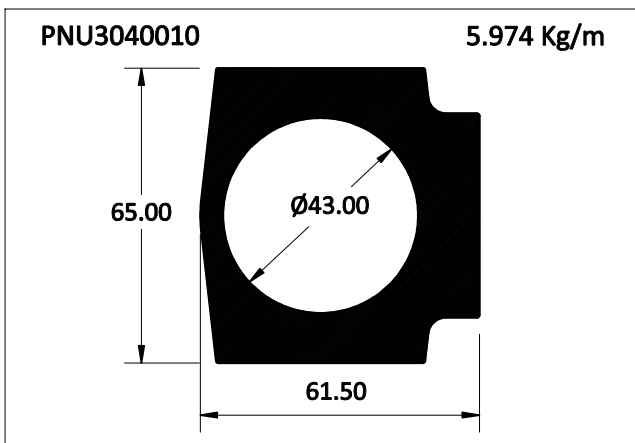
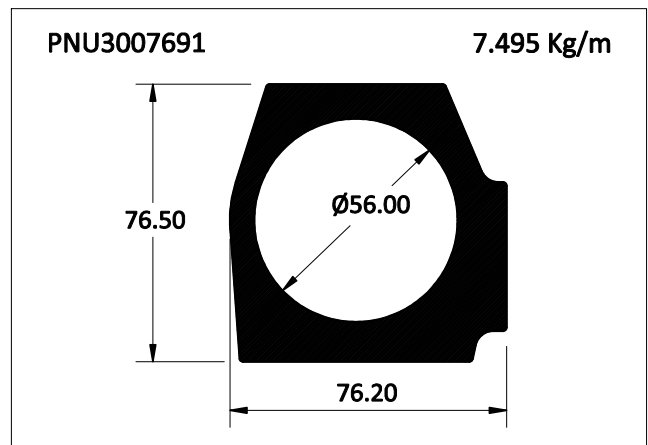
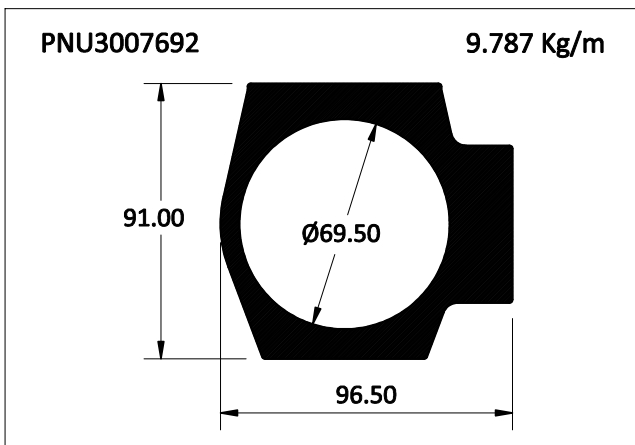
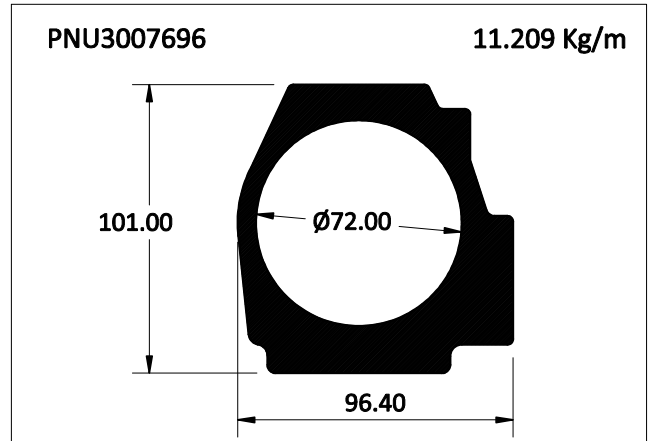
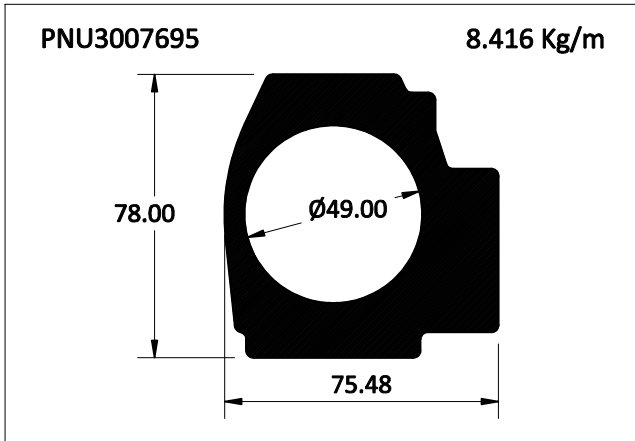
PNEUMATIC SECTIONS



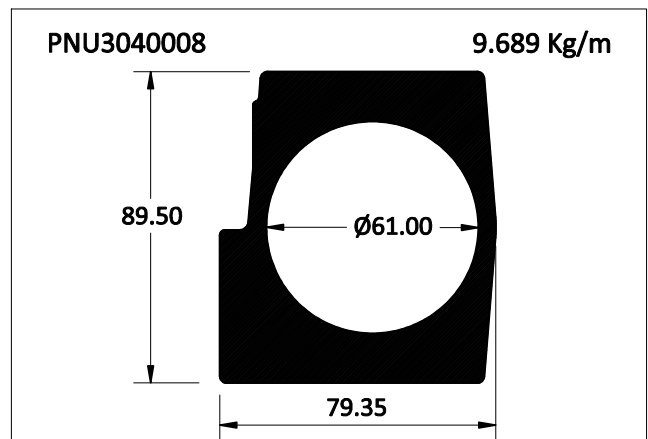
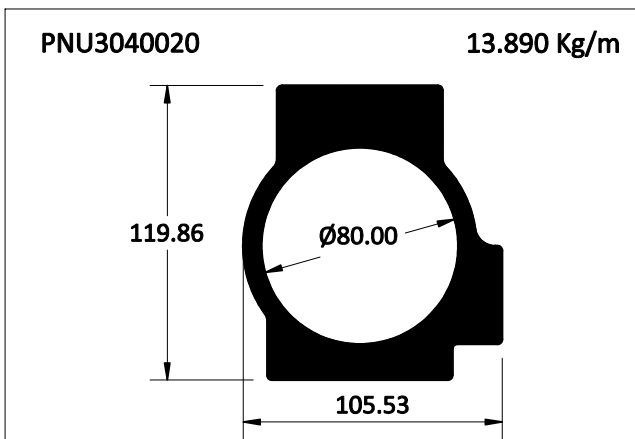
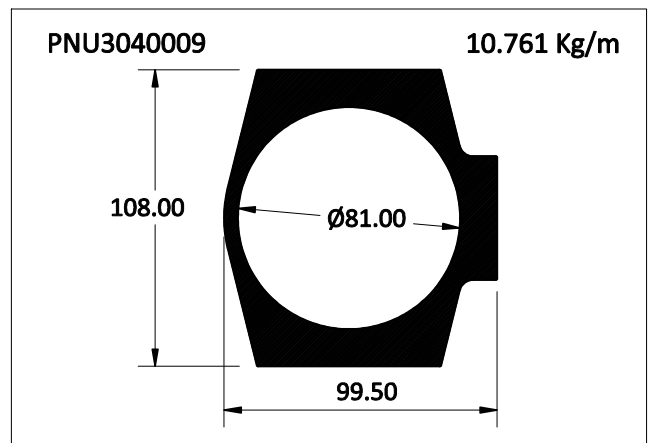
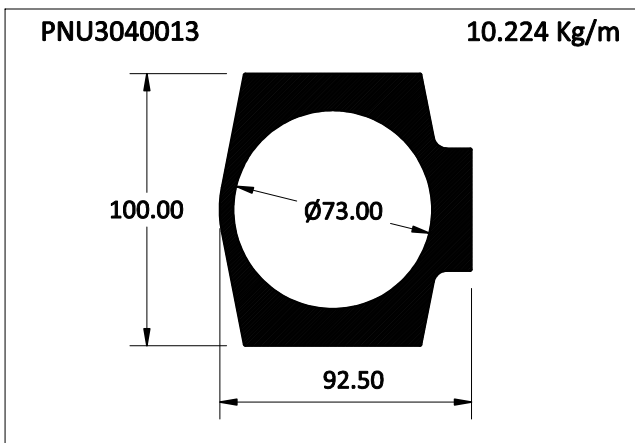
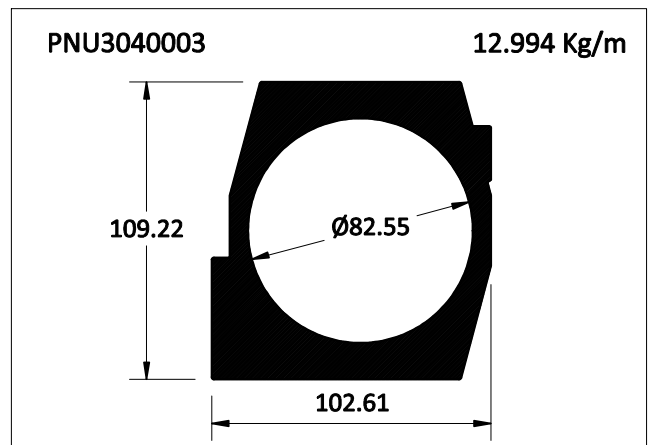
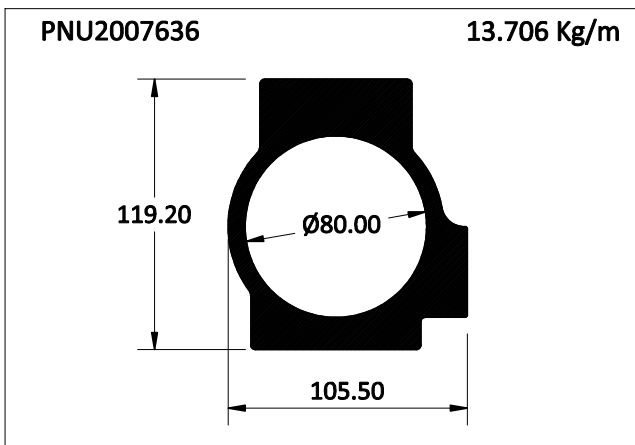
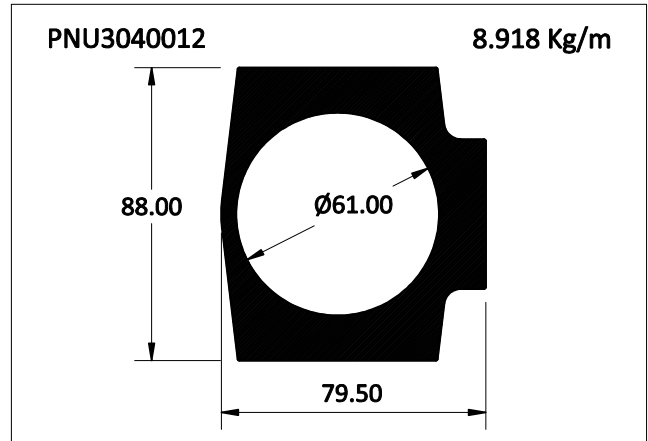
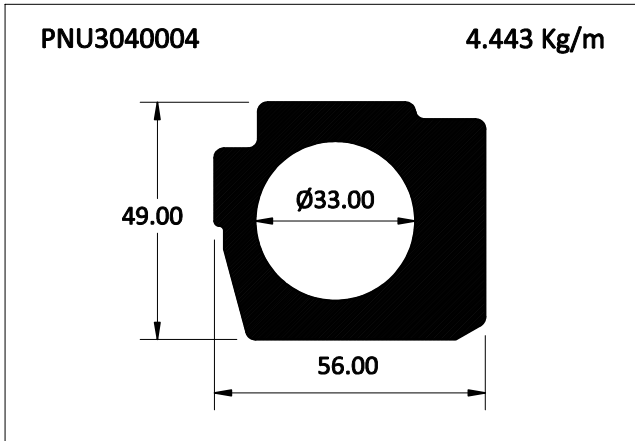
PNEUMATIC SECTIONS



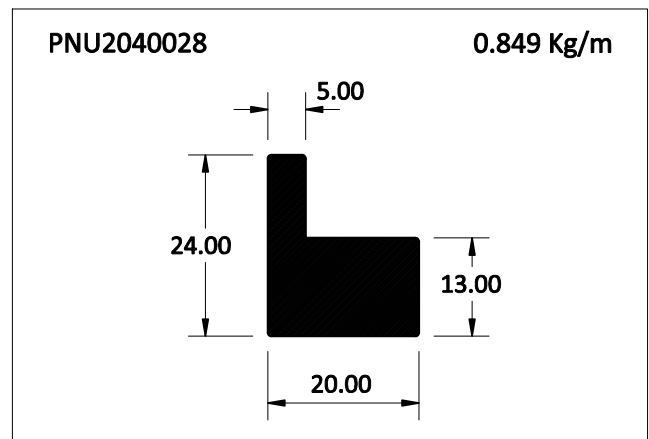
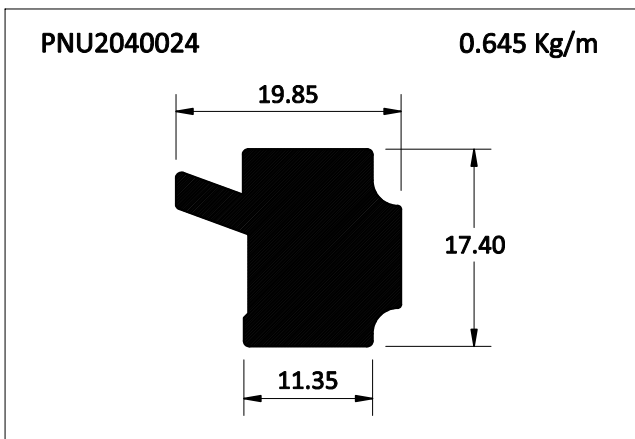
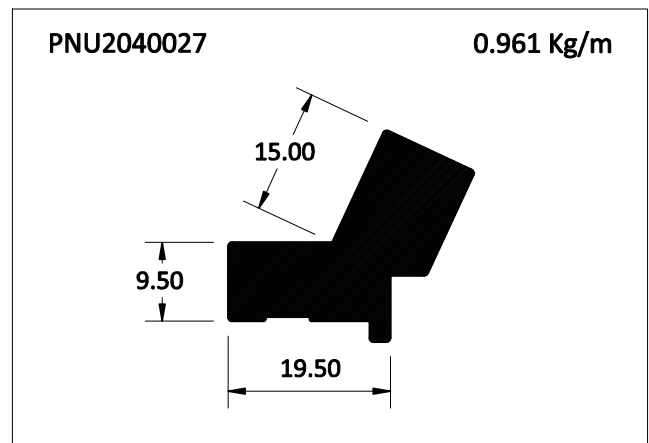
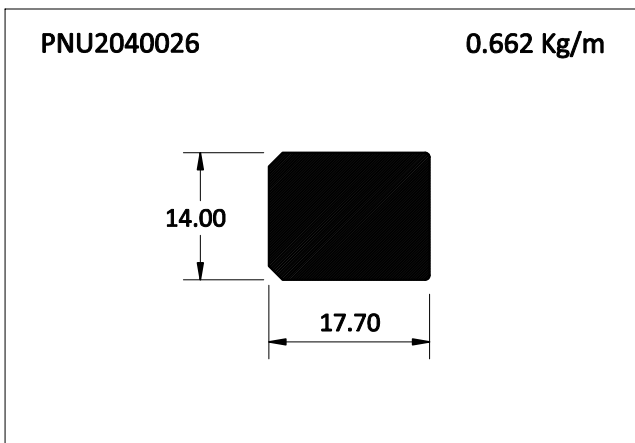
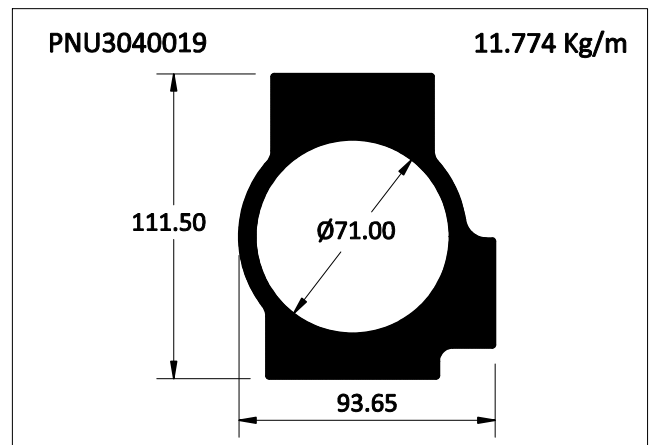
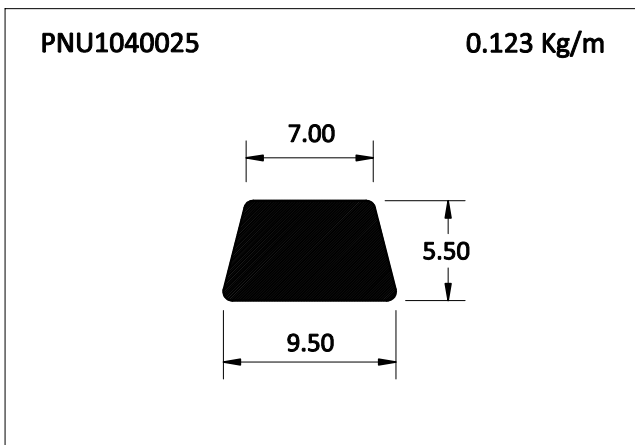
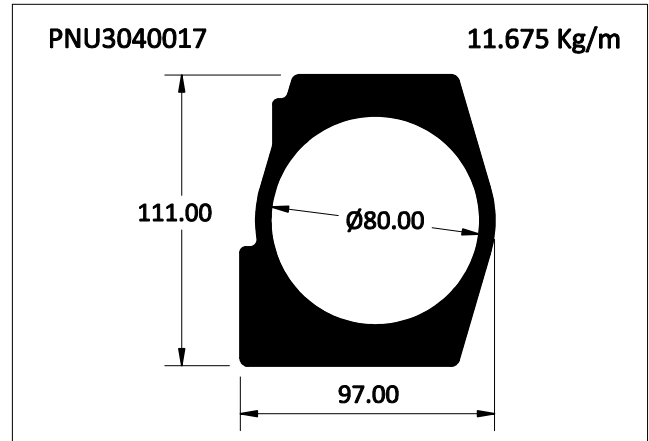
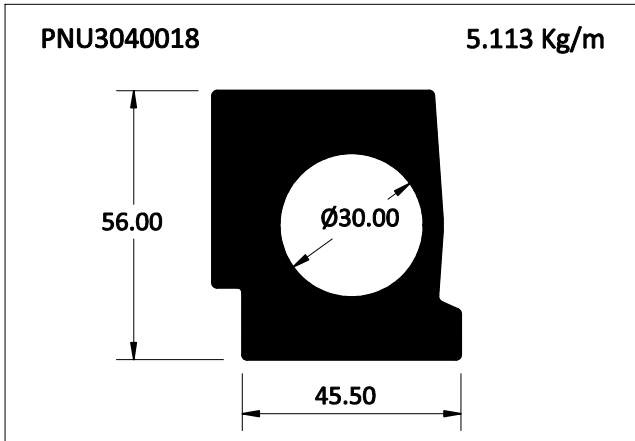
PNEUMATIC SECTIONS



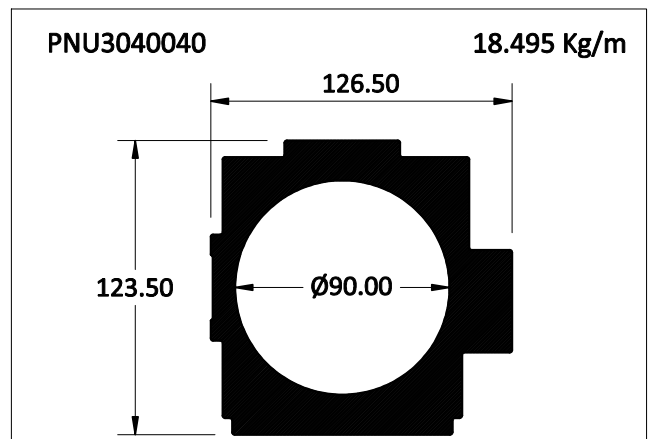
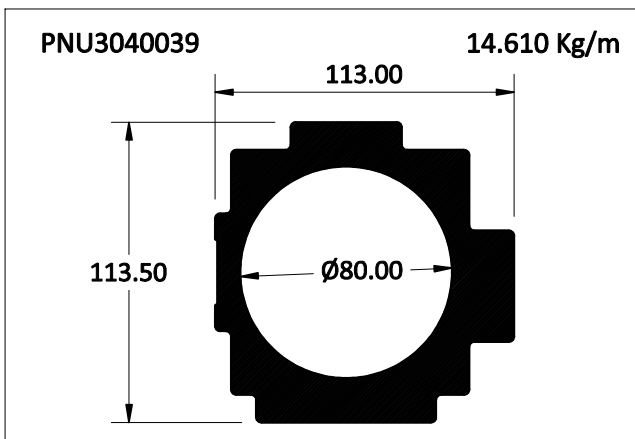
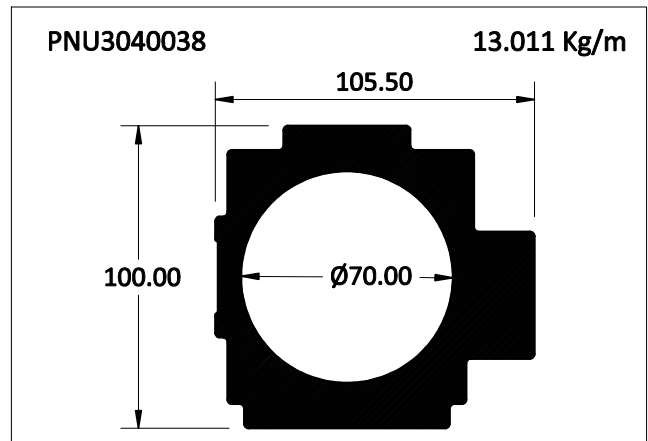
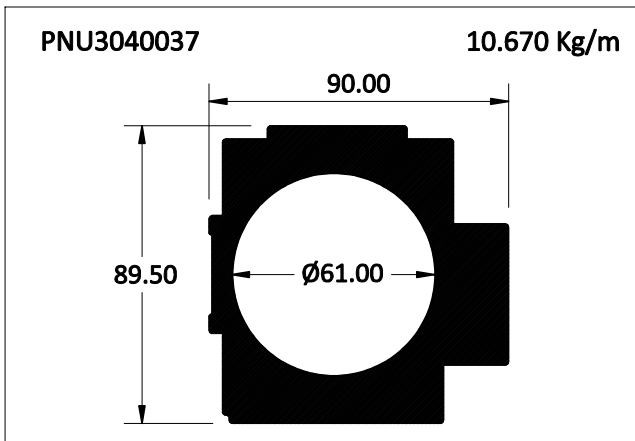
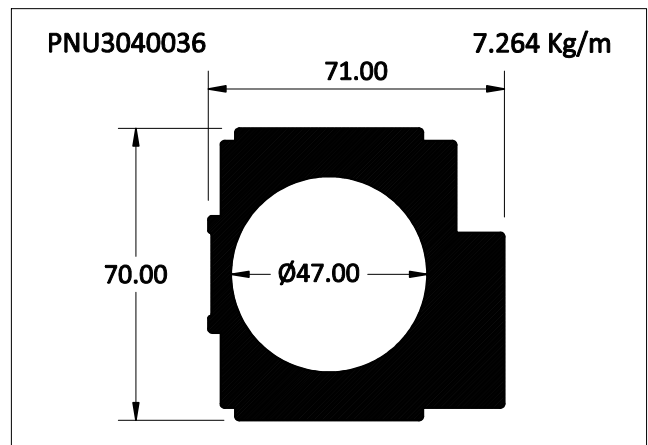
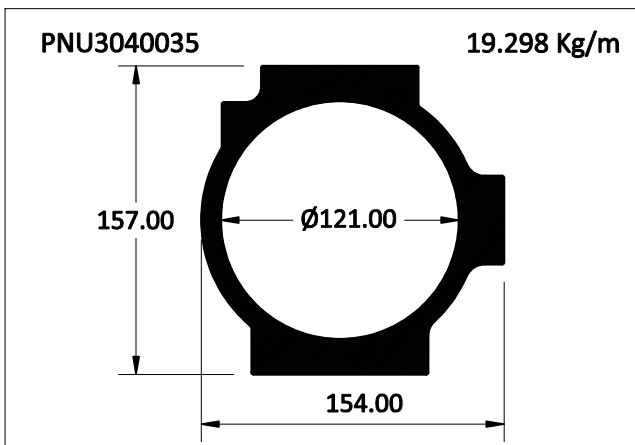
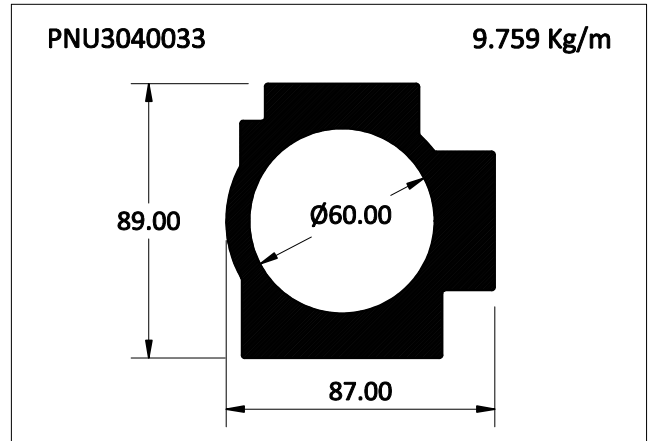
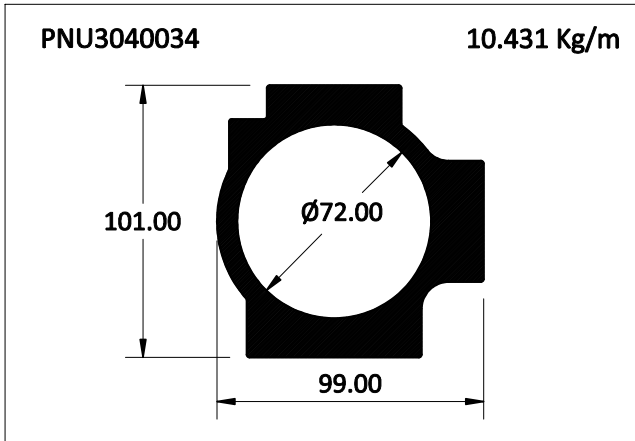
PNEUMATIC SECTIONS



PNEUMATIC SECTIONS



PNEUMATIC SECTIONS



PNEUMATIC SECTIONS

