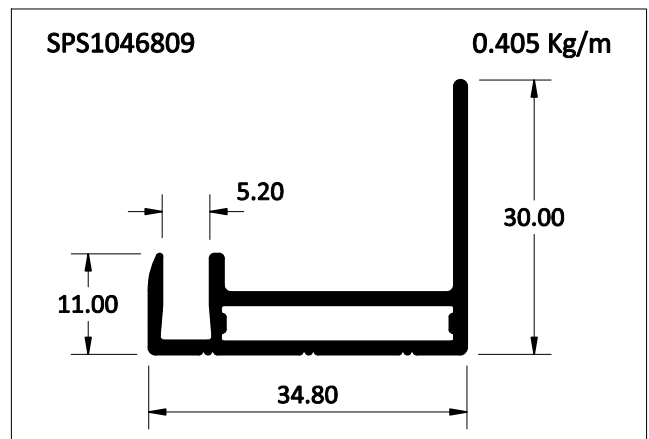
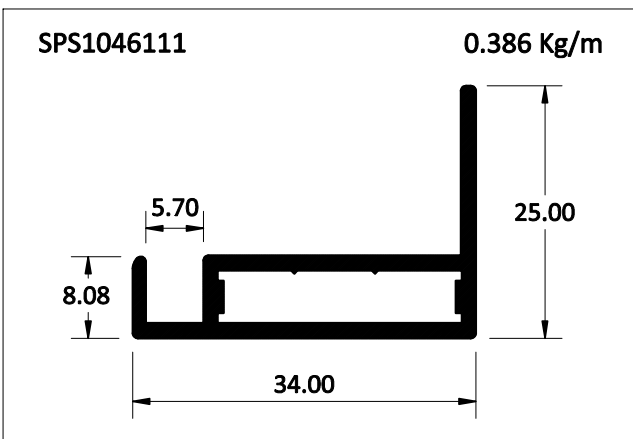
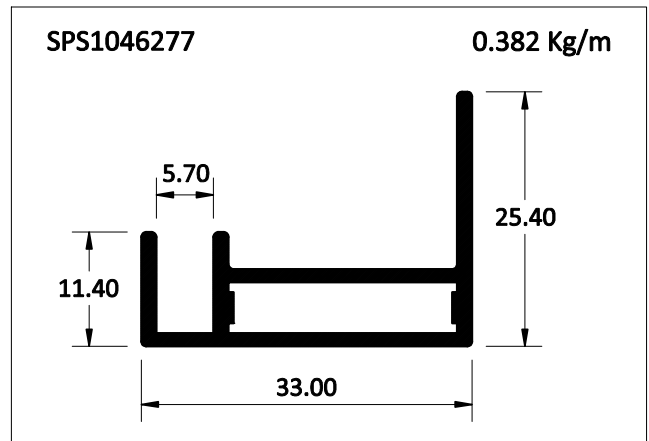
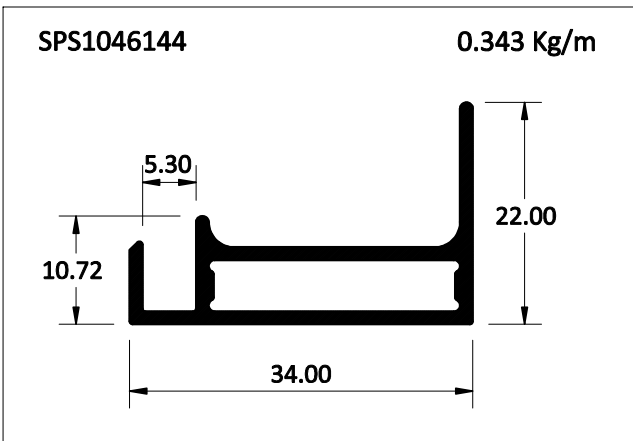
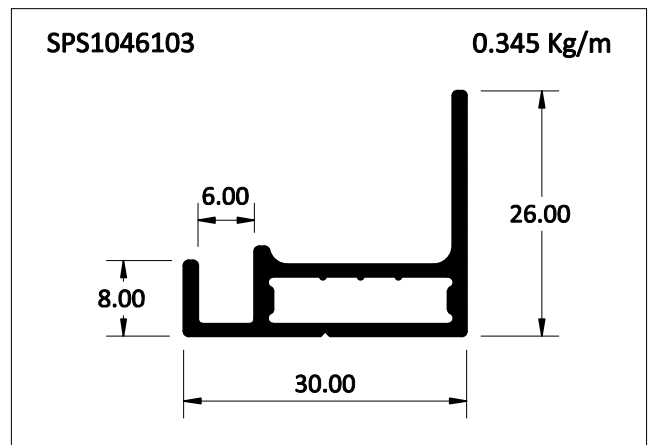
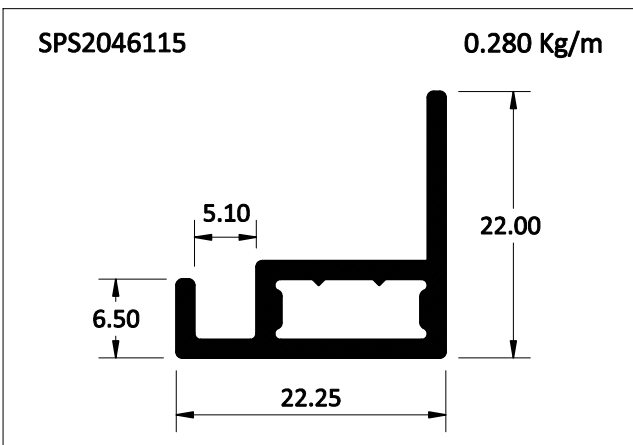
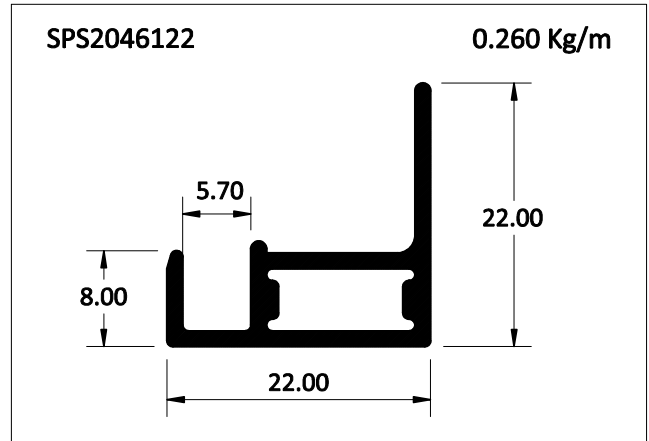
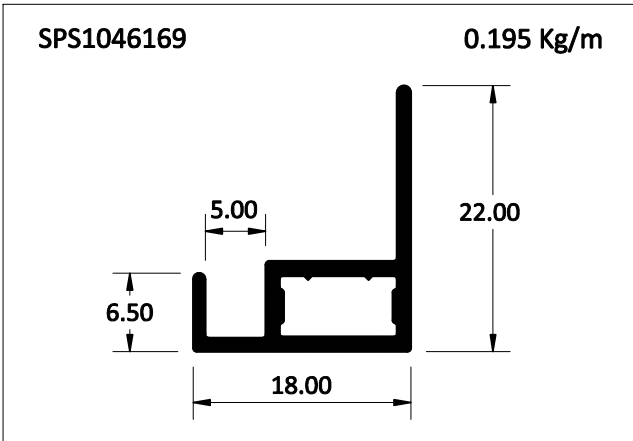
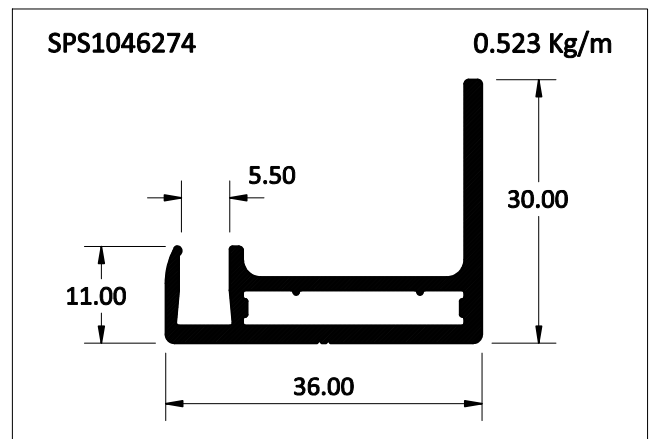
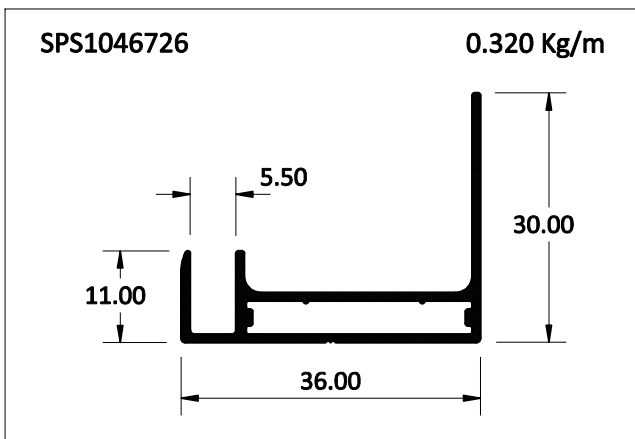
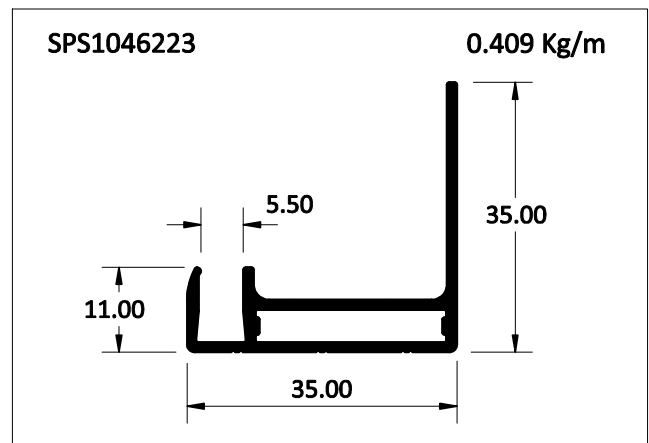
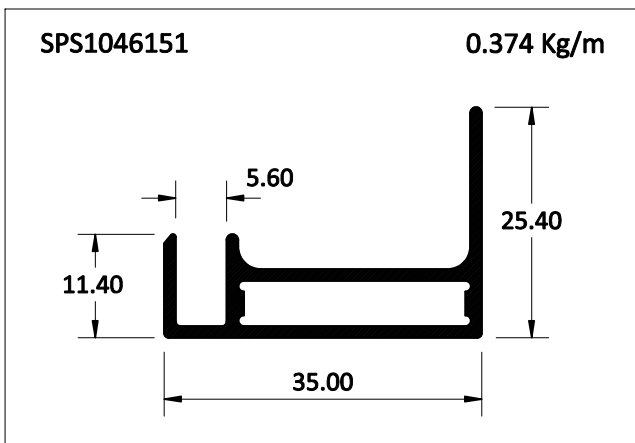
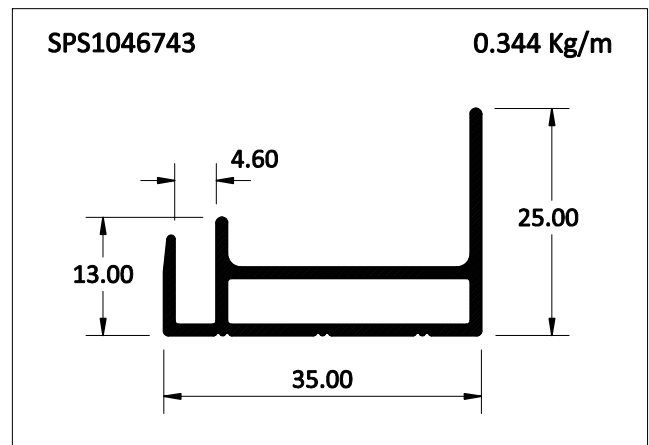
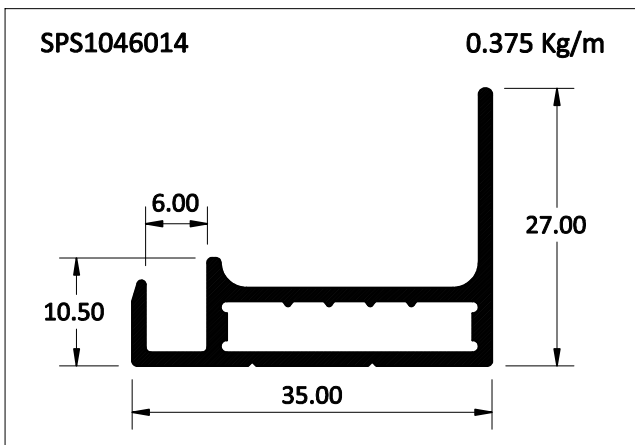
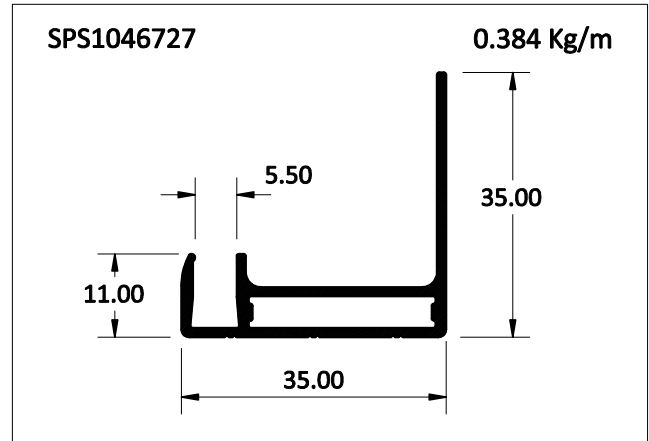
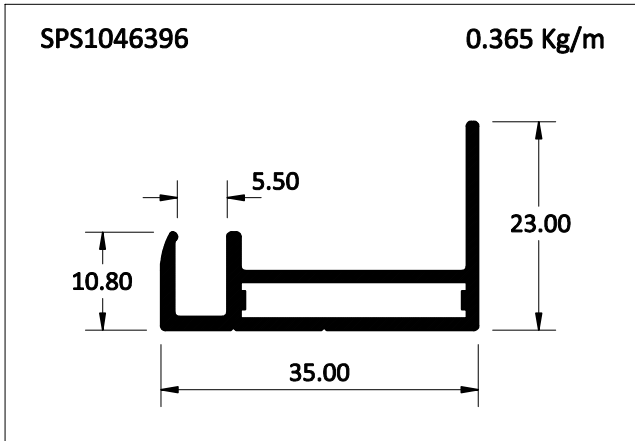


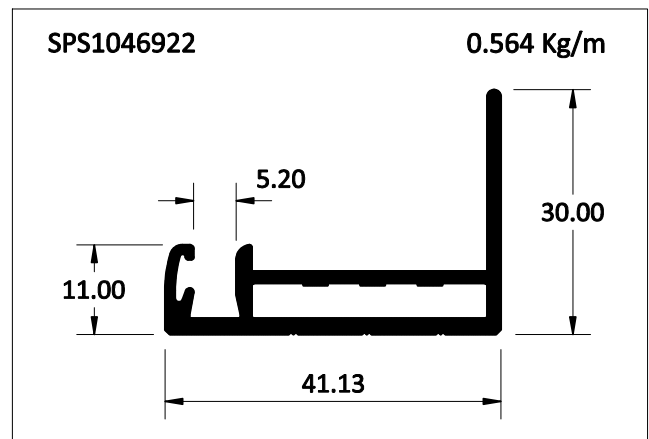
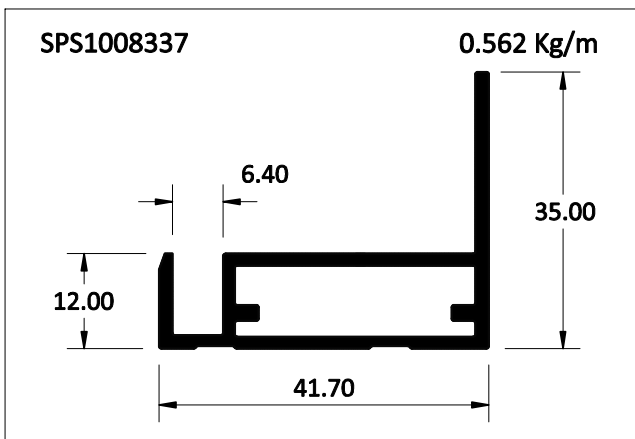
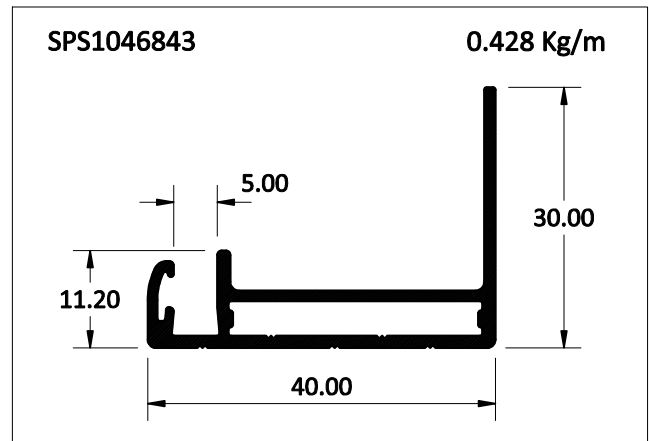
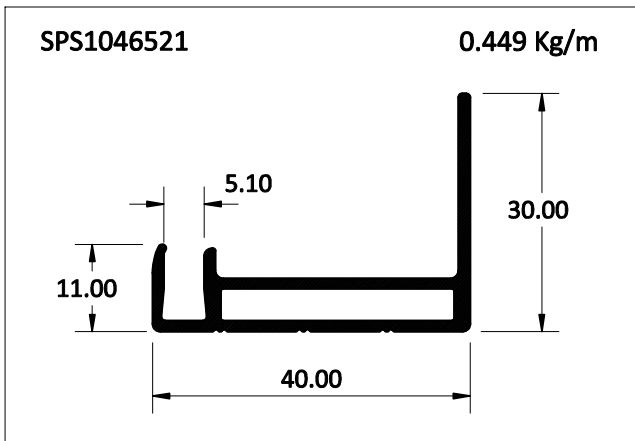
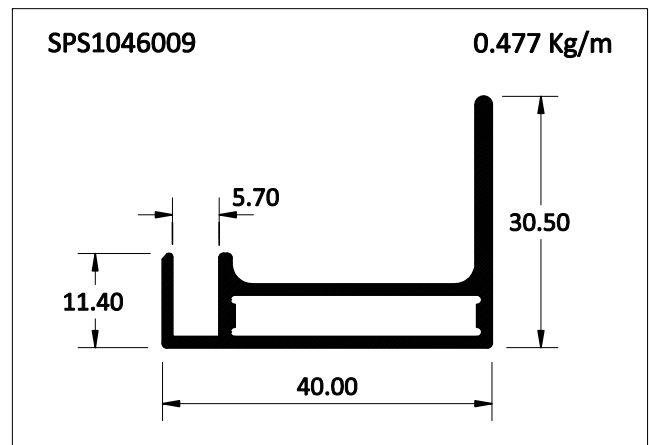
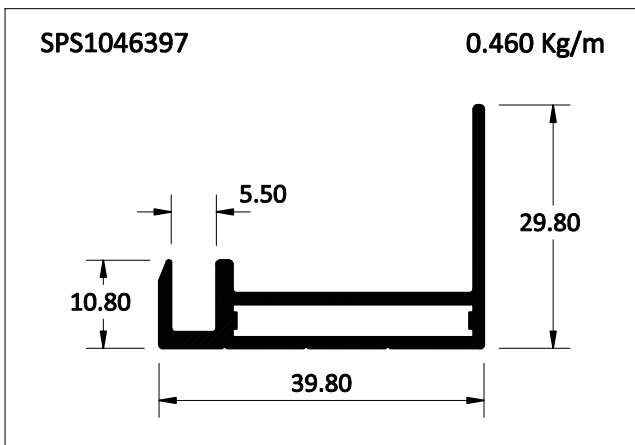
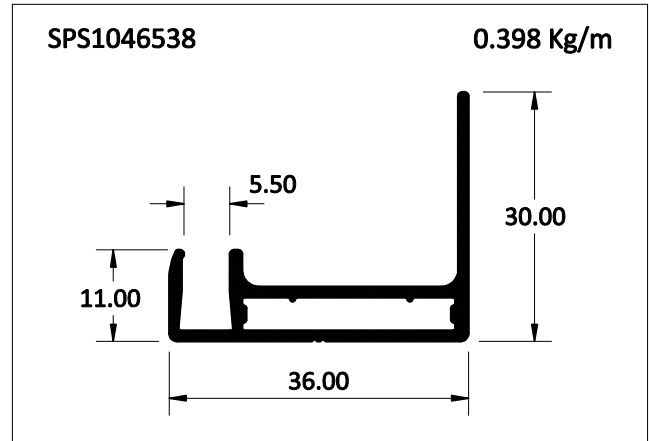
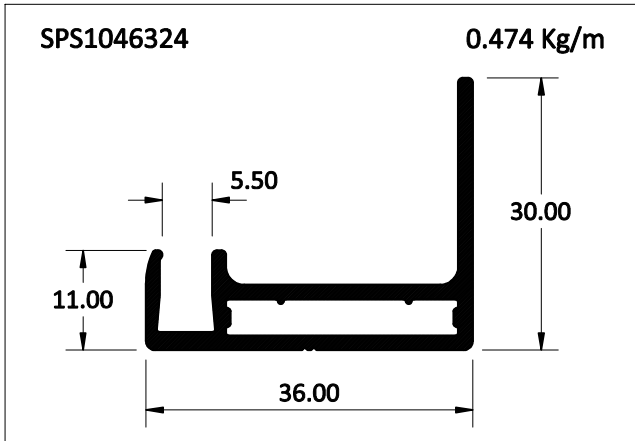
SOLAR SECTIONS



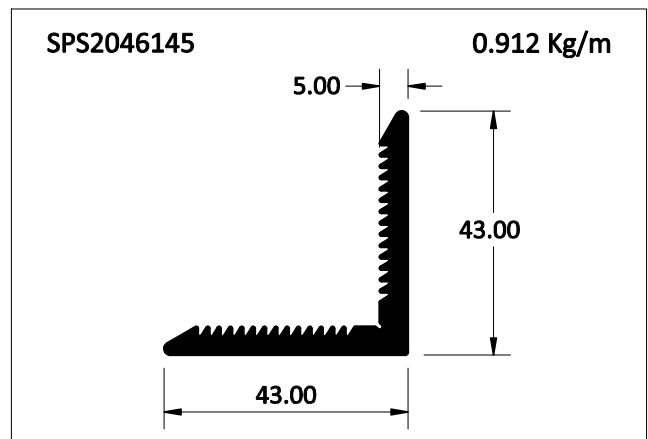
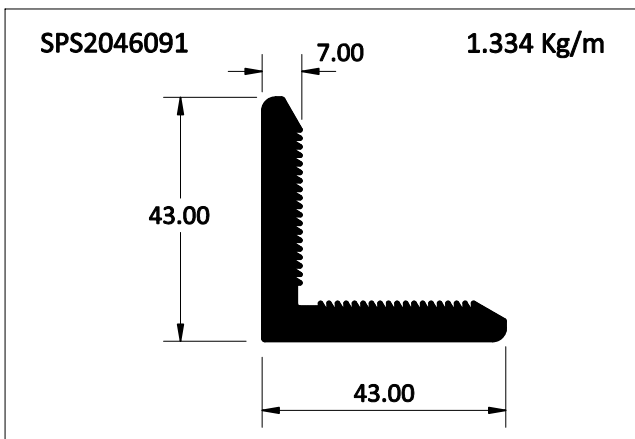
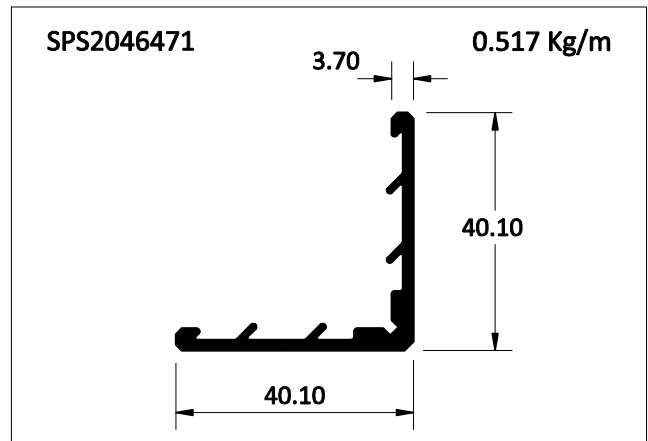
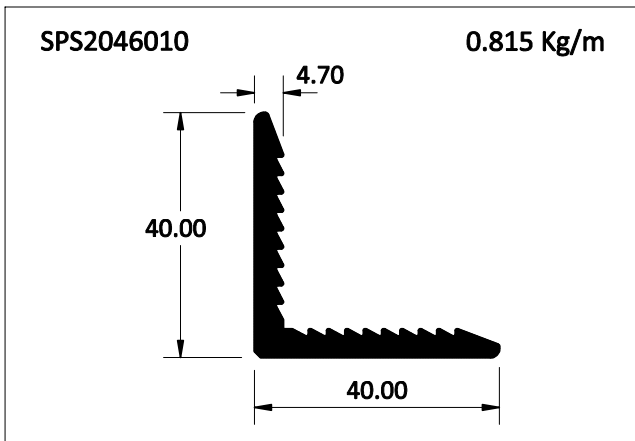
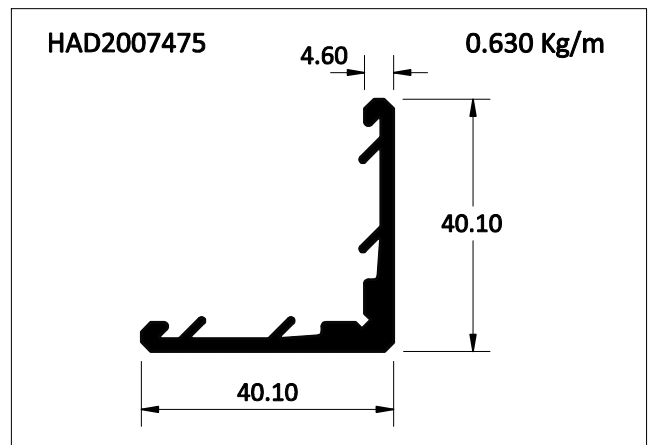
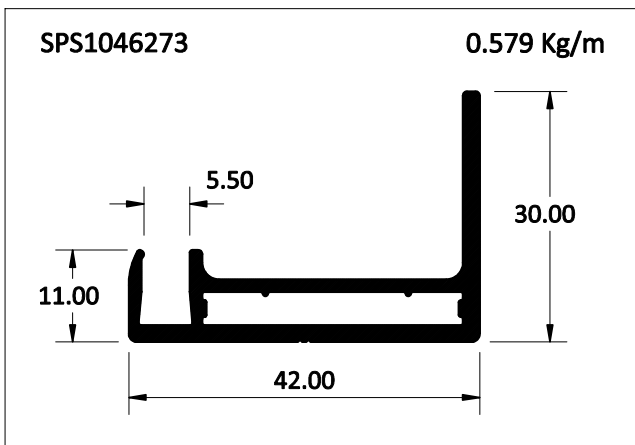
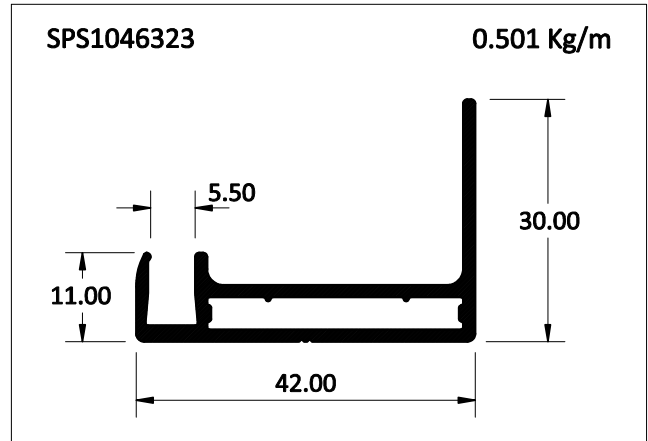
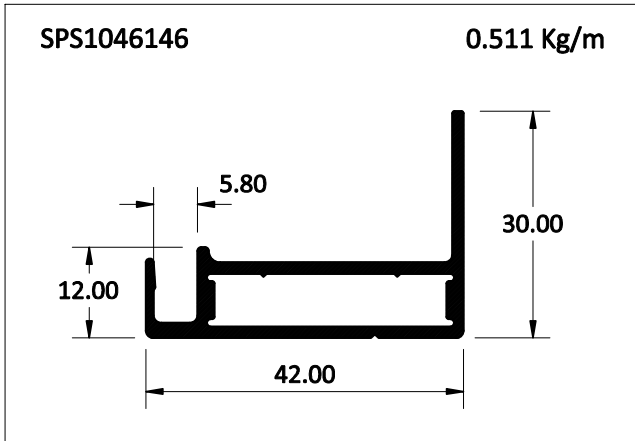
HEAT TRANSFER SECTIONS



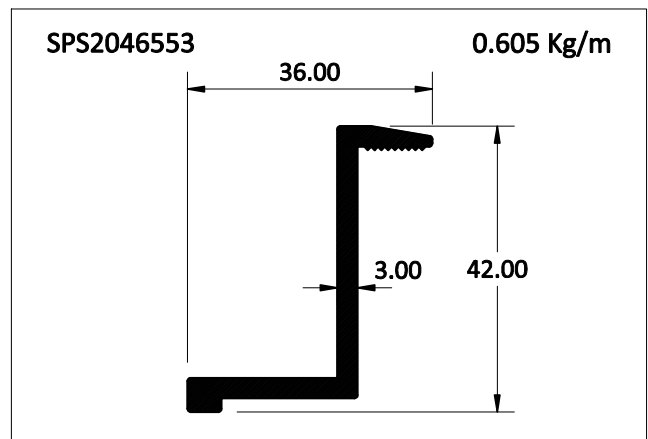
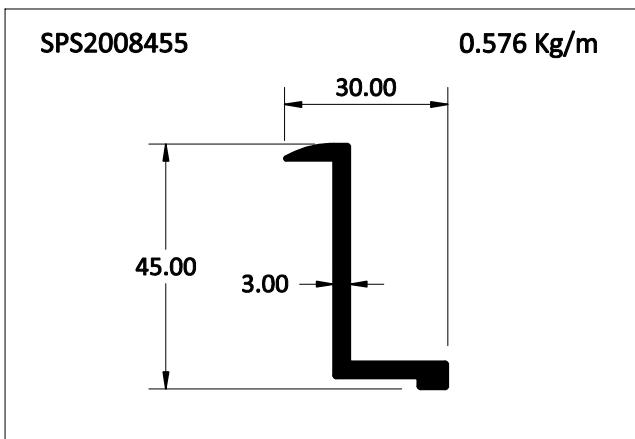
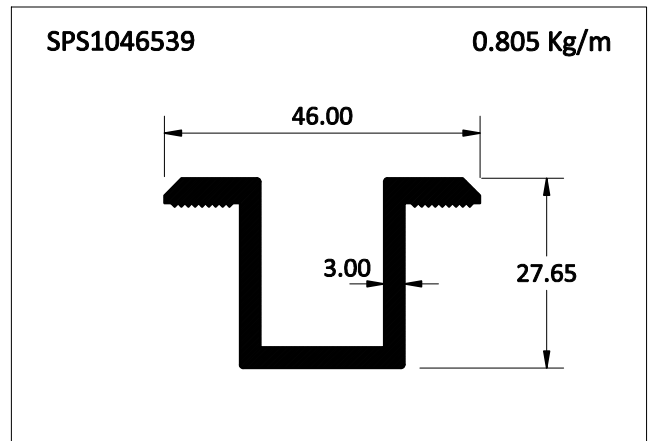
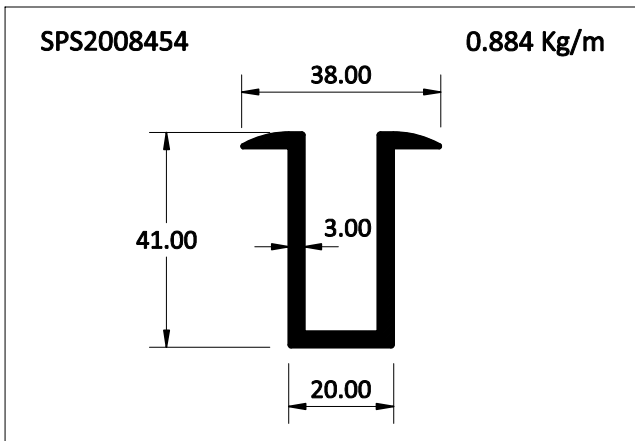
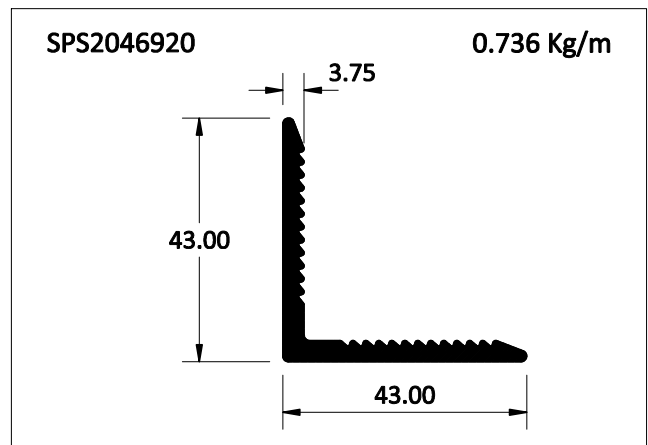
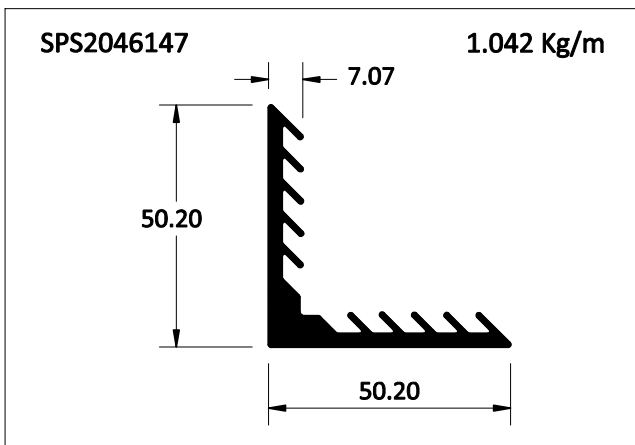
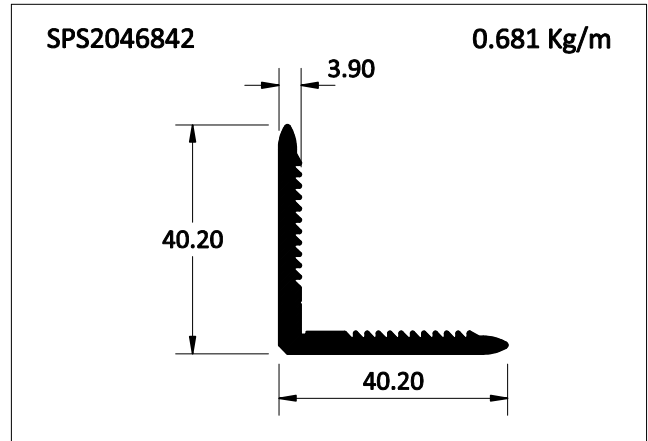
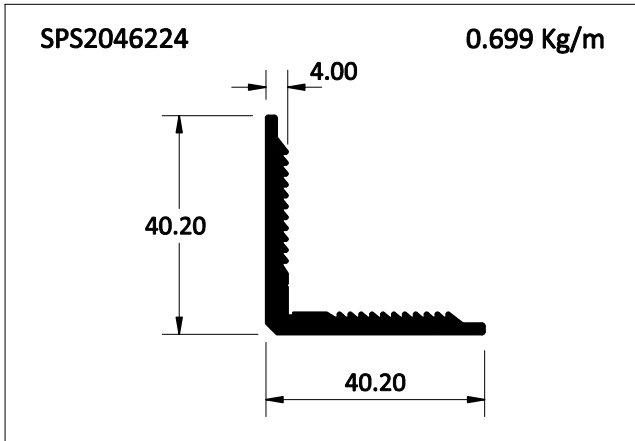
HEAT TRANSFER SECTIONS



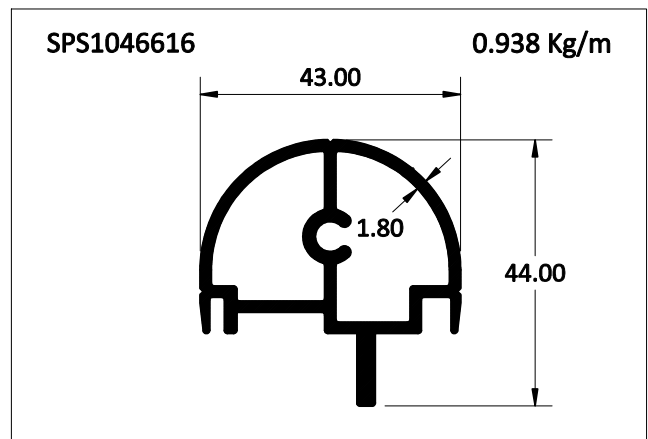
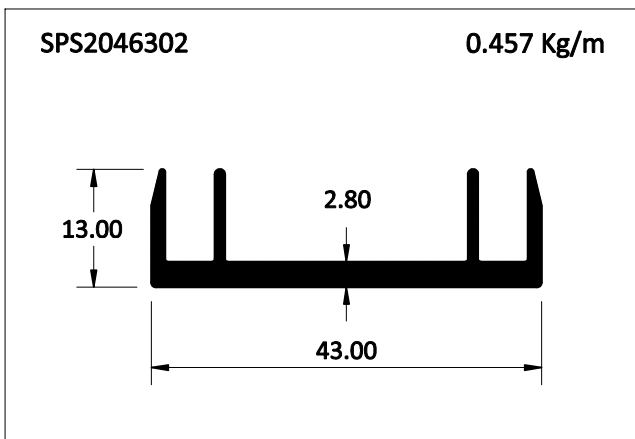
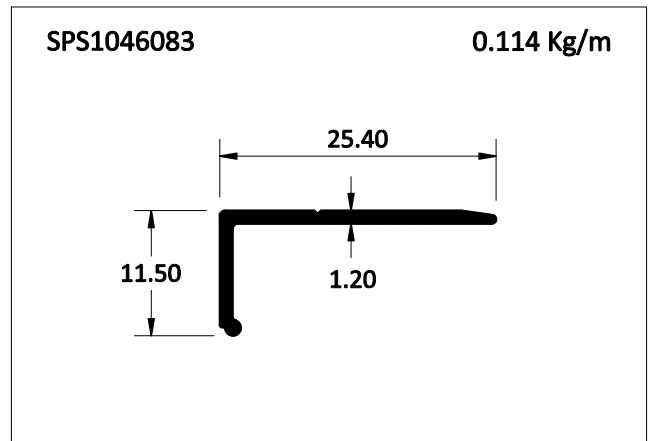
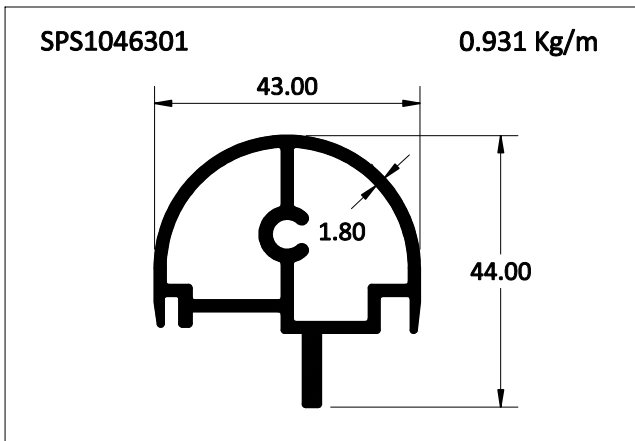
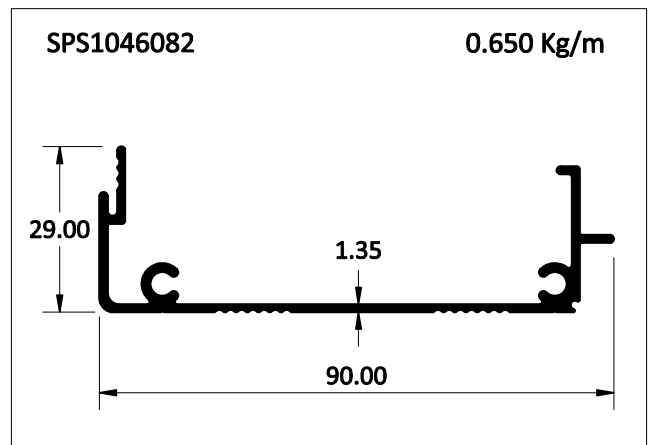
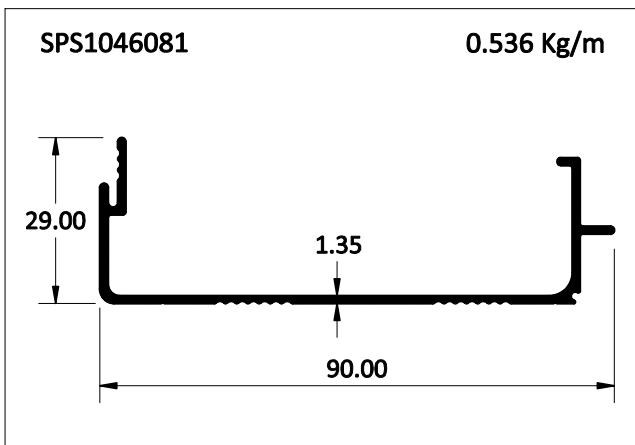
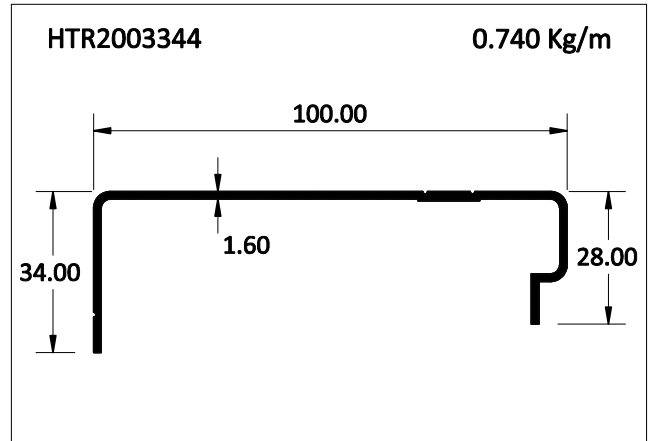
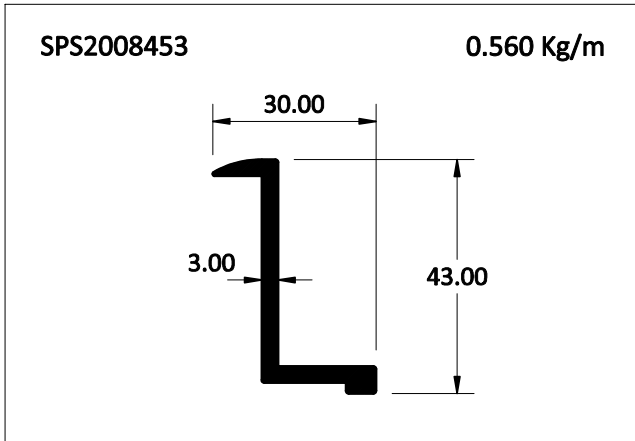
HEAT TRANSFER SECTIONS



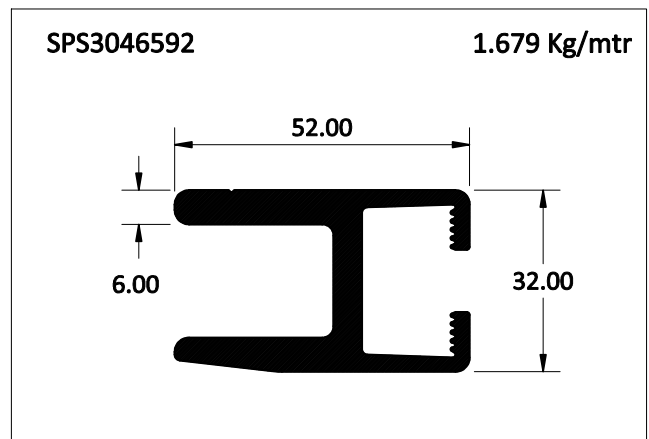
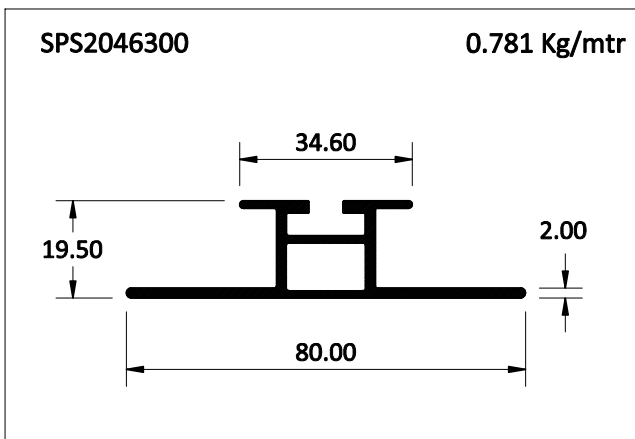
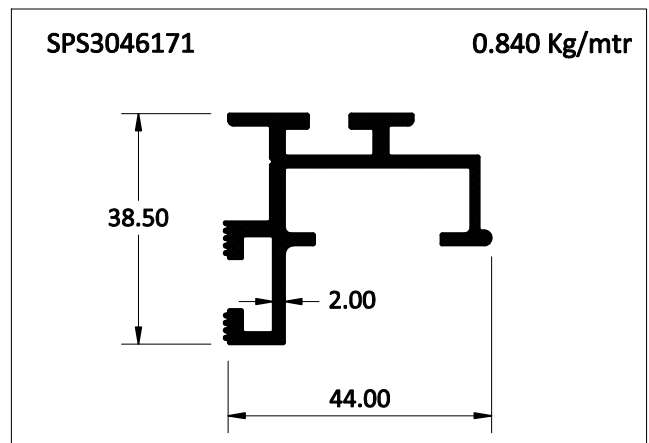
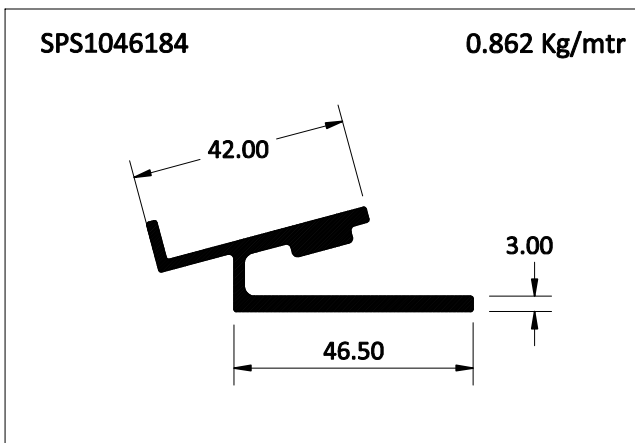
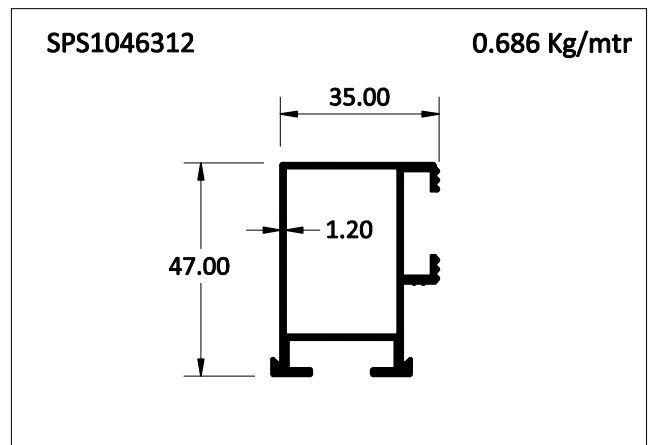
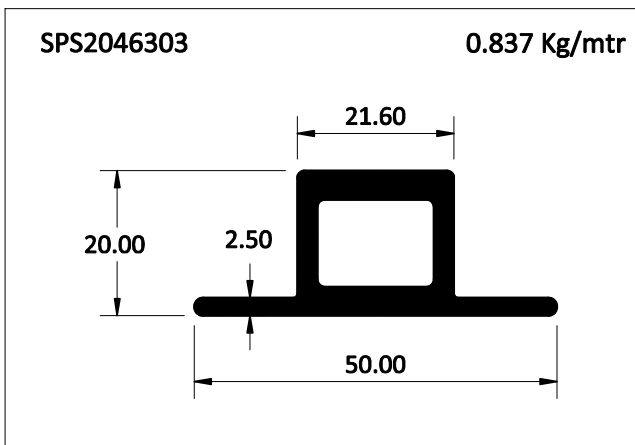
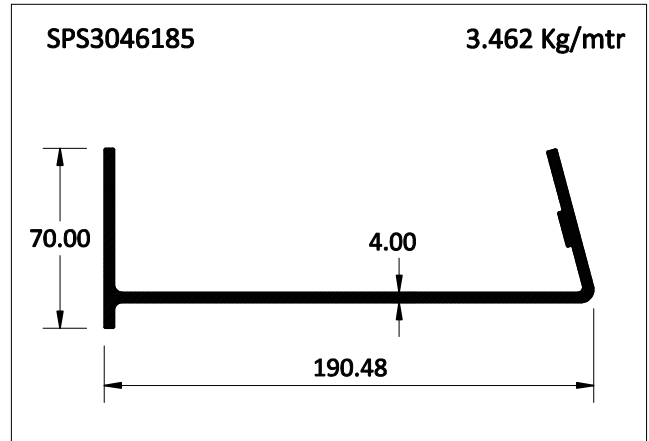
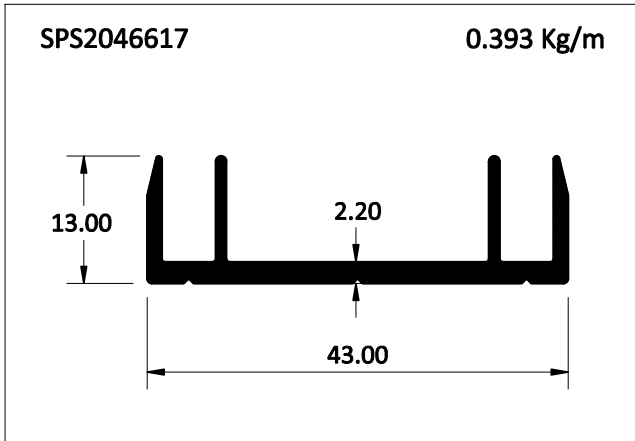
HEAT TRANSFER SECTIONS



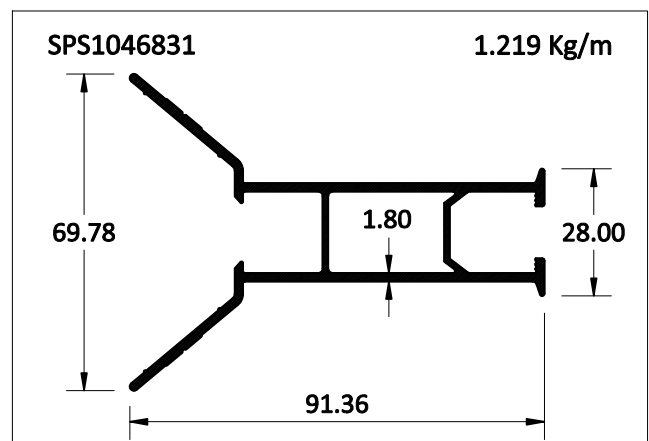
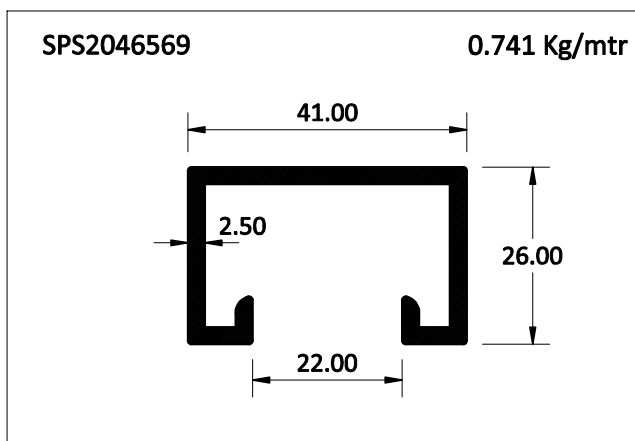
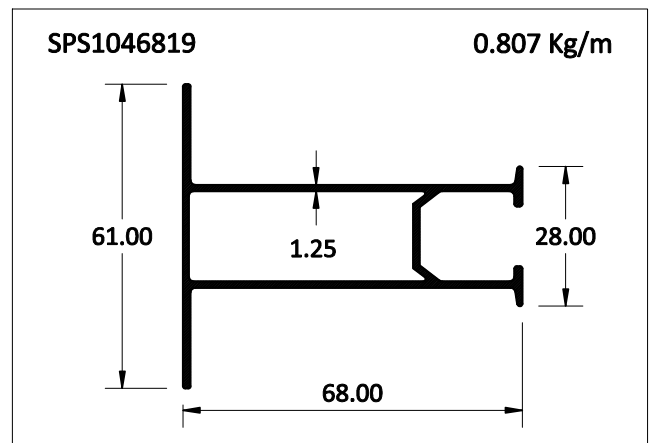
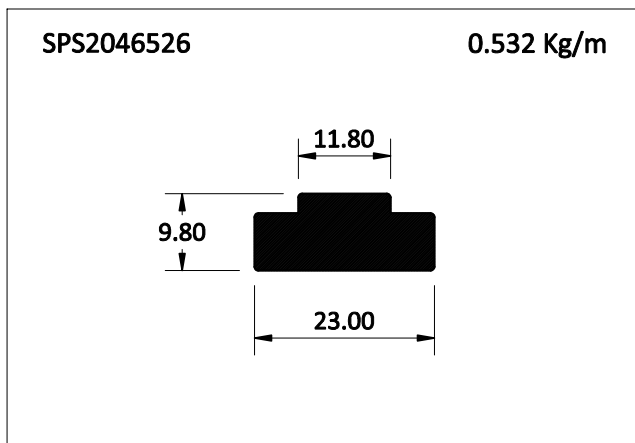
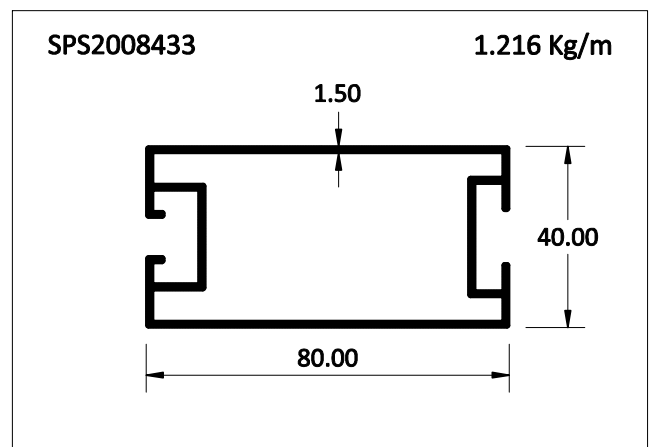
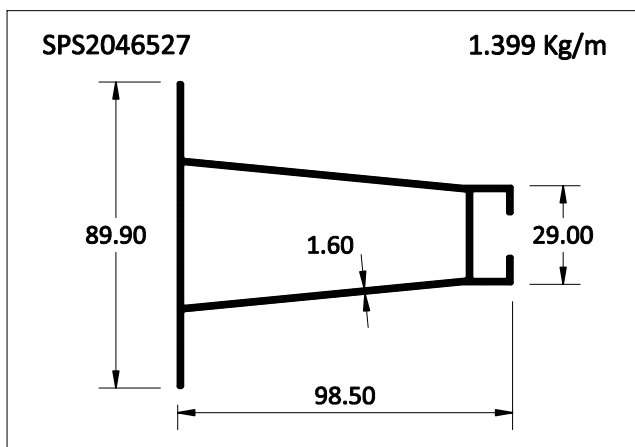
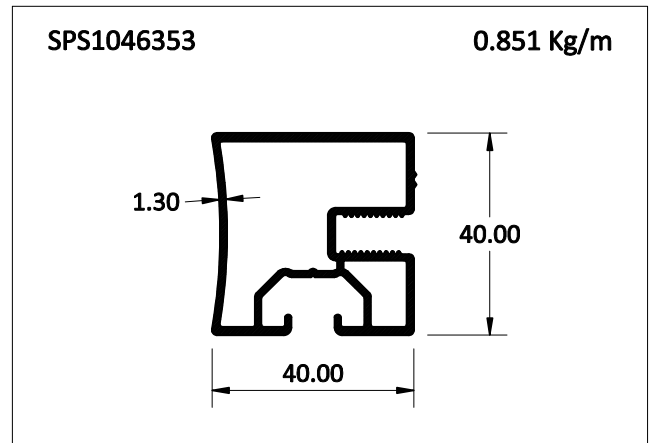
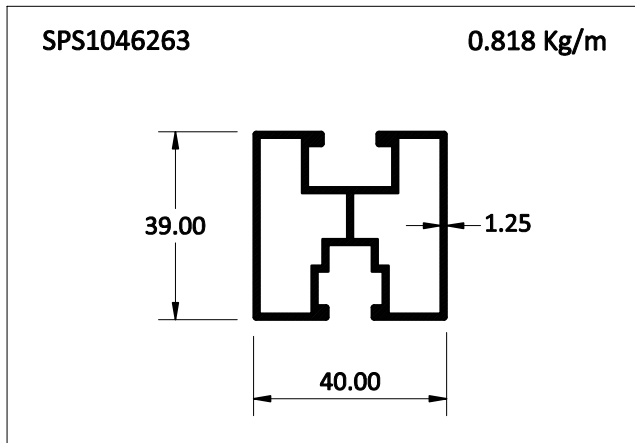
HEAT TRANSFER SECTIONS



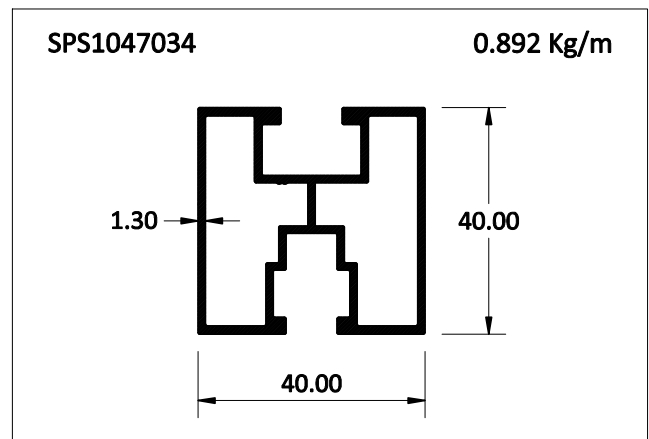
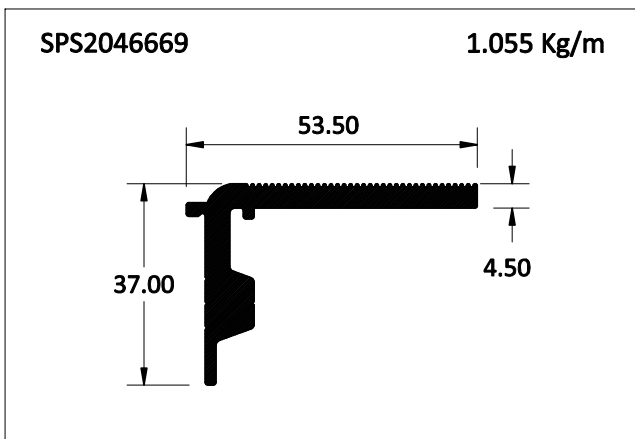
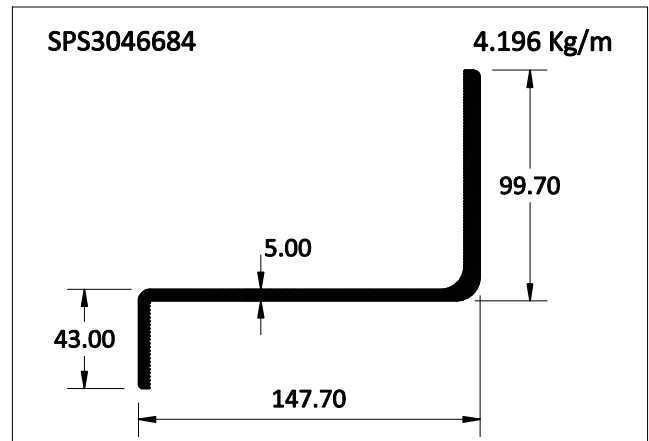
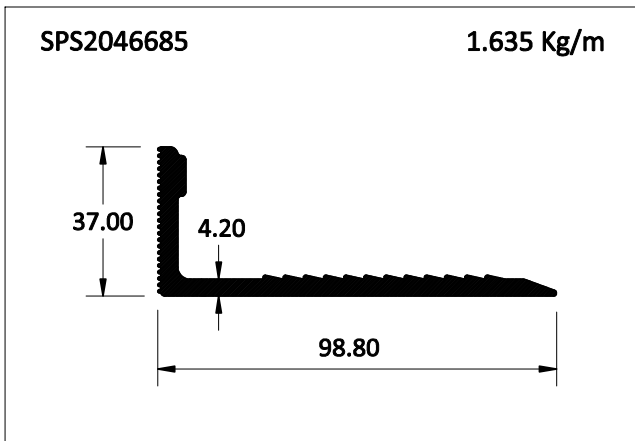
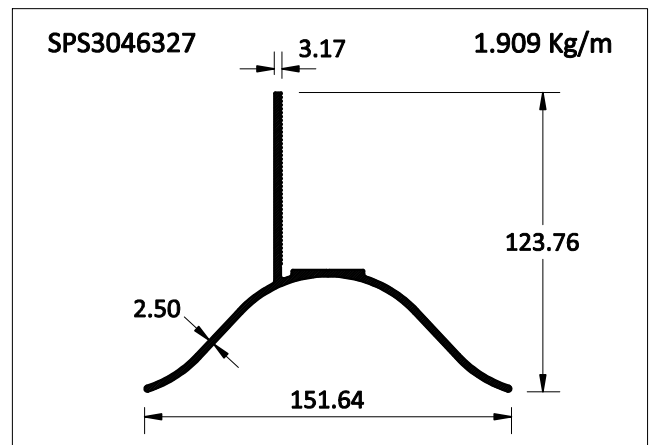
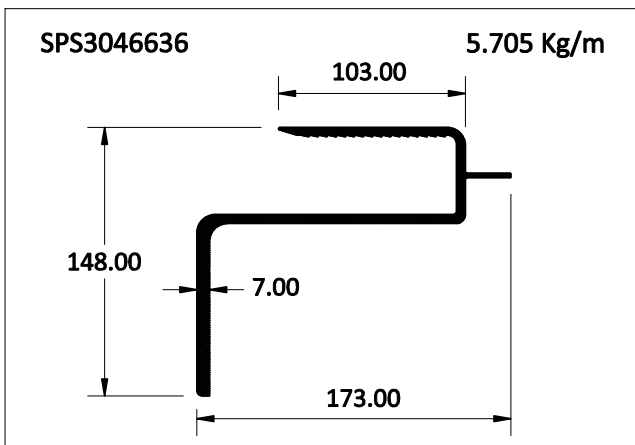
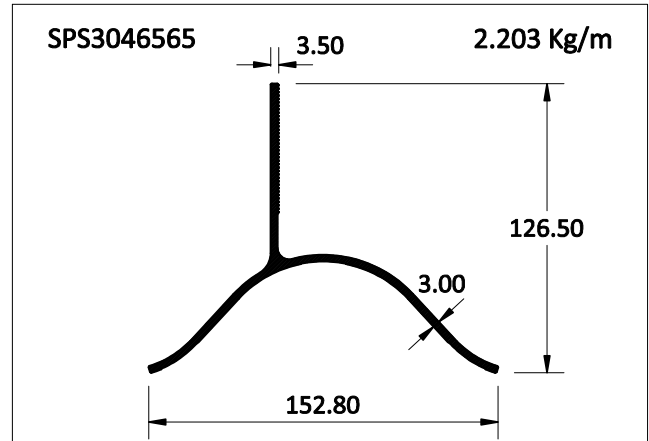
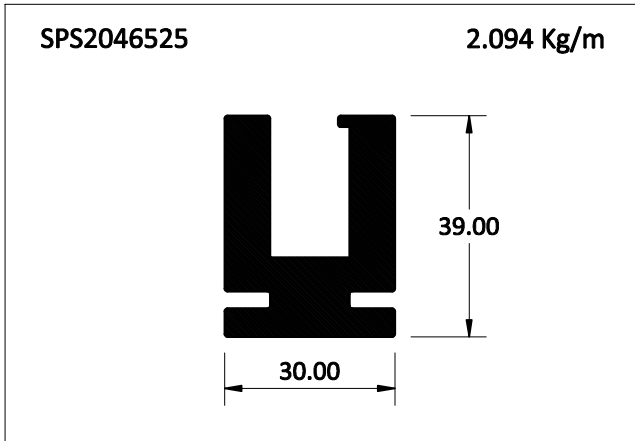
HEAT TRANSFER SECTIONS



HEAT TRANSFER SECTIONS



HEAT TRANSFER SECTIONS



HEAT TRANSFER SECTIONS

