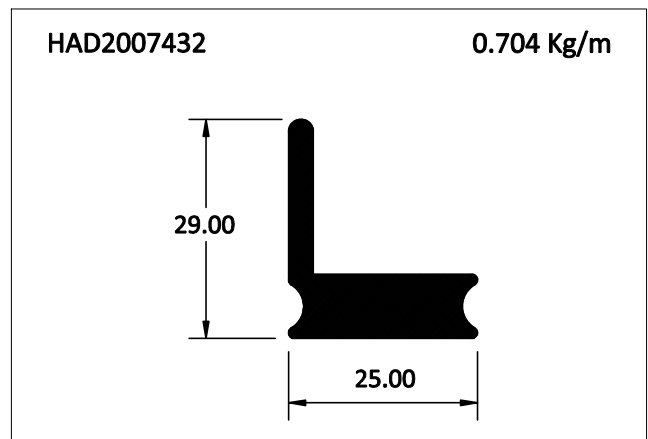
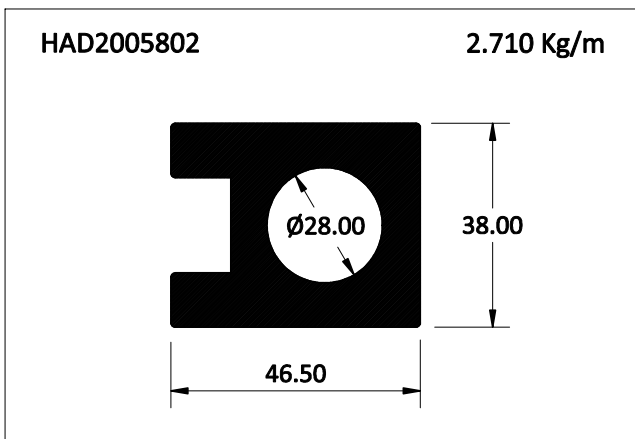
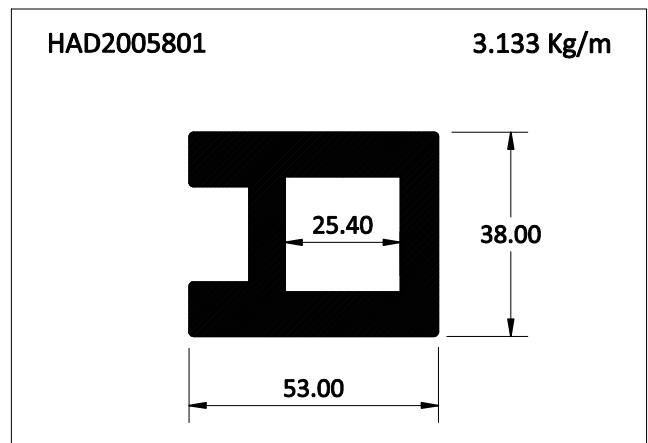
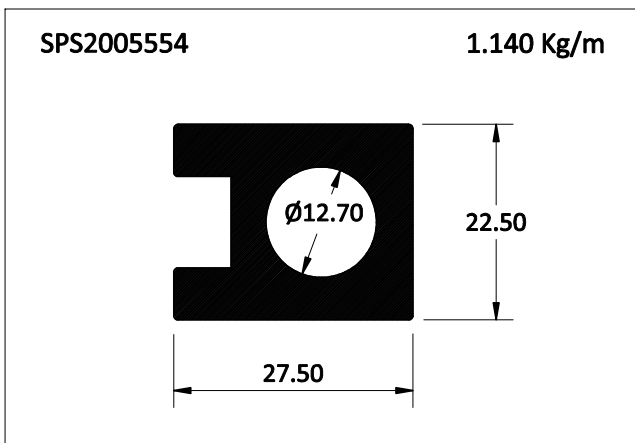
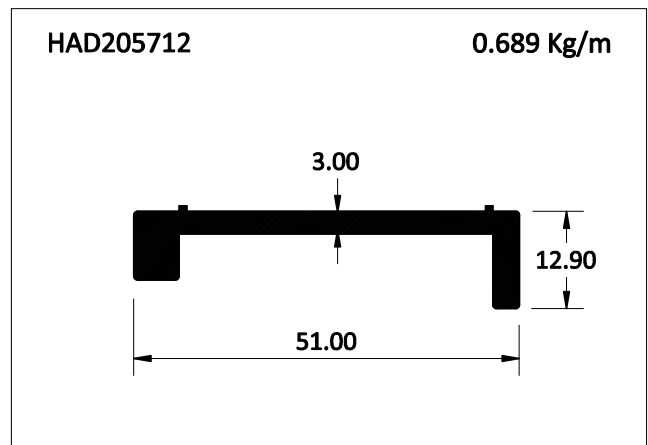
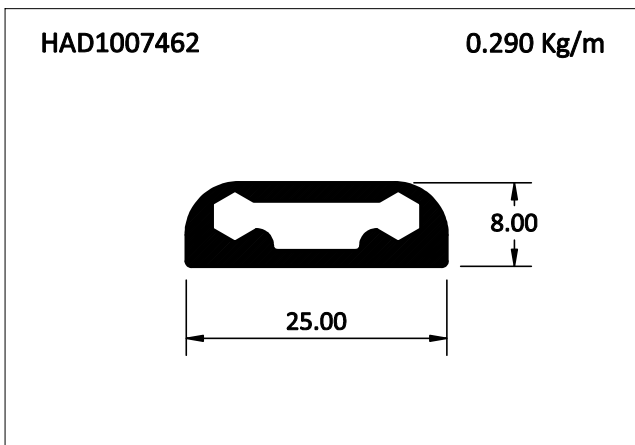
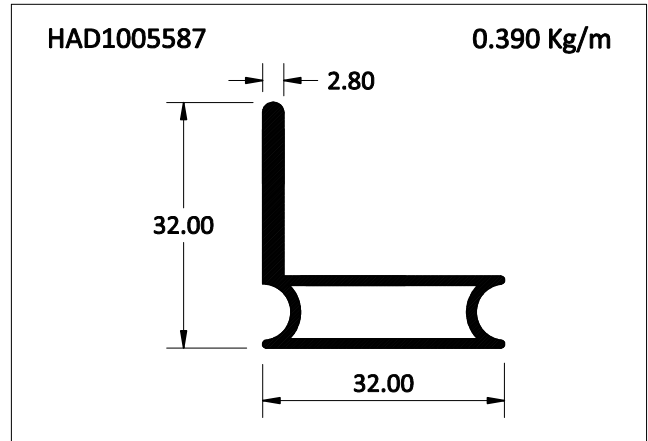
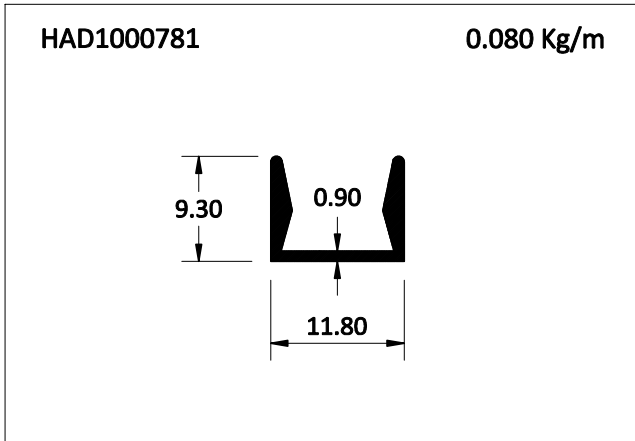
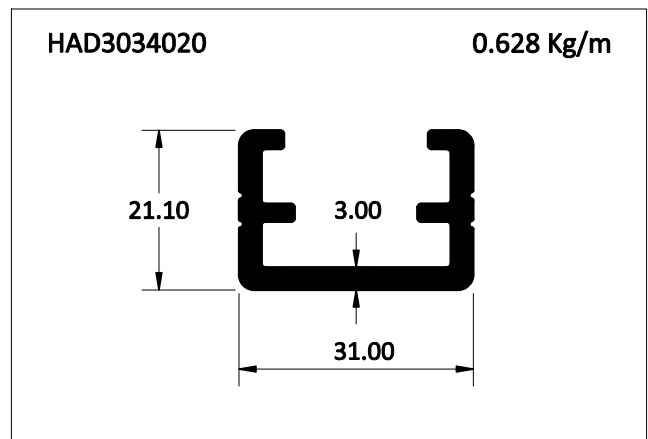
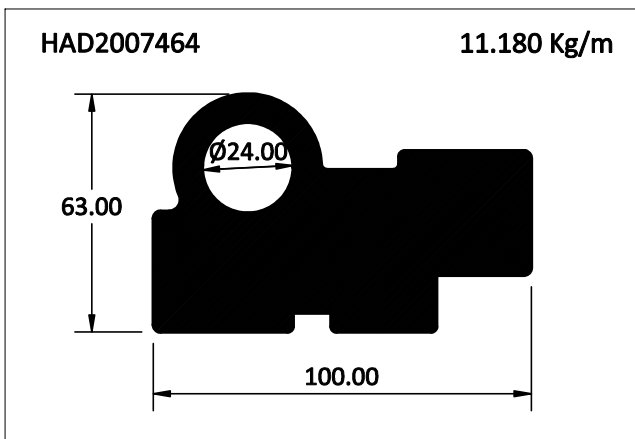
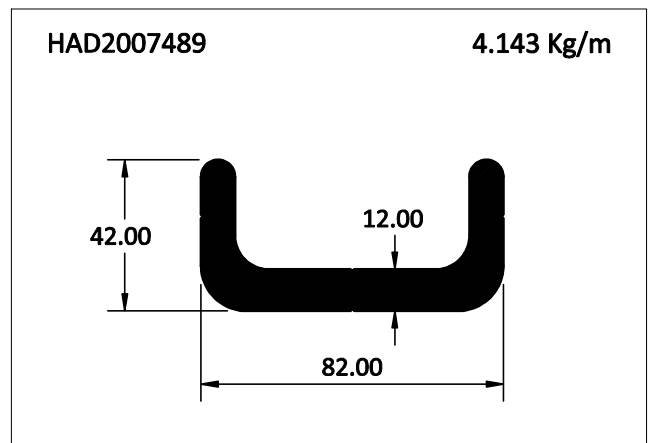
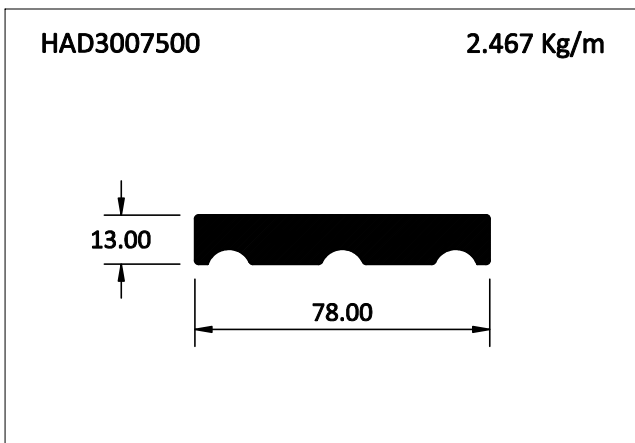
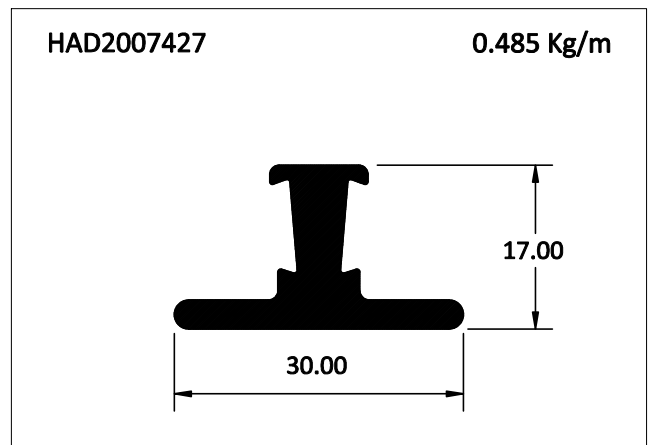
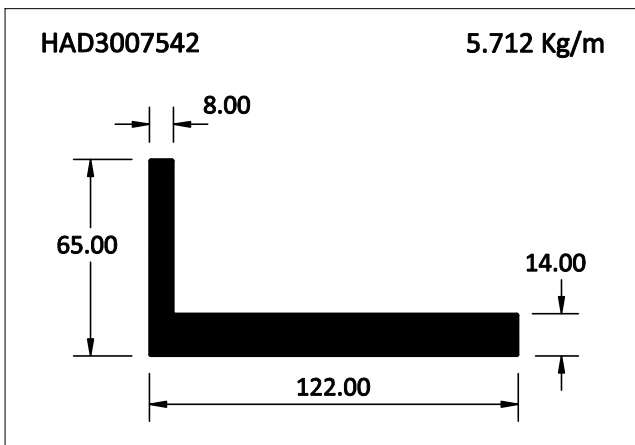
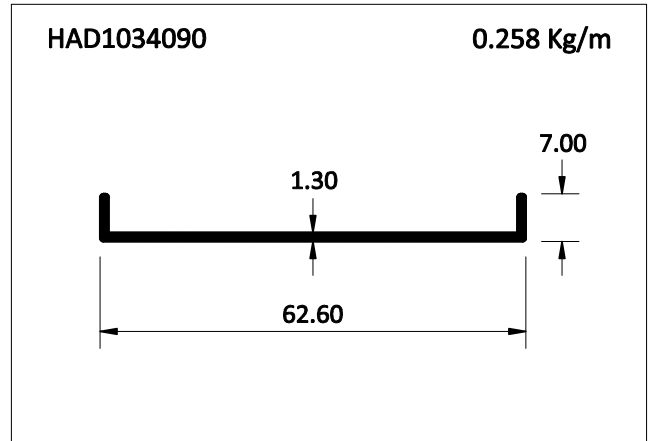
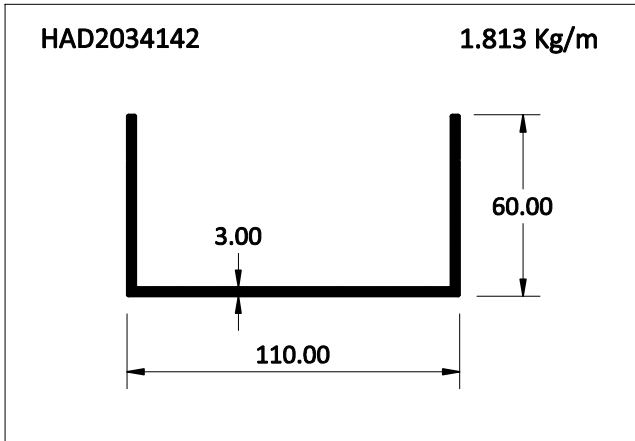


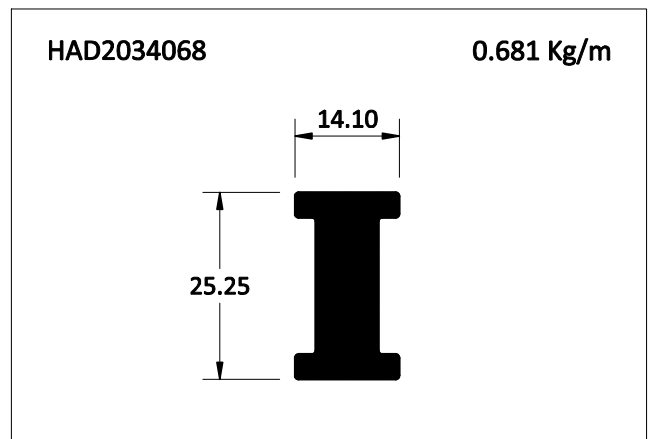
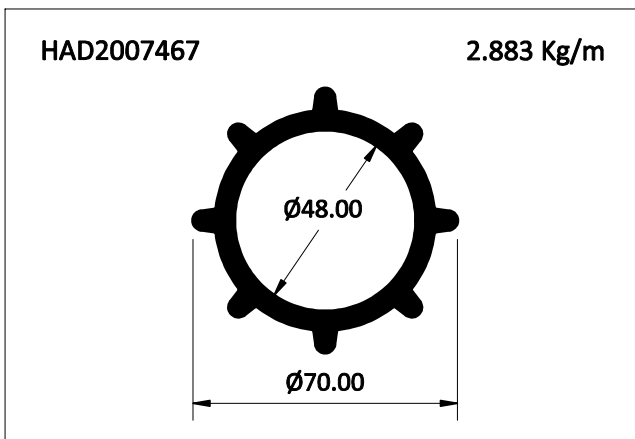
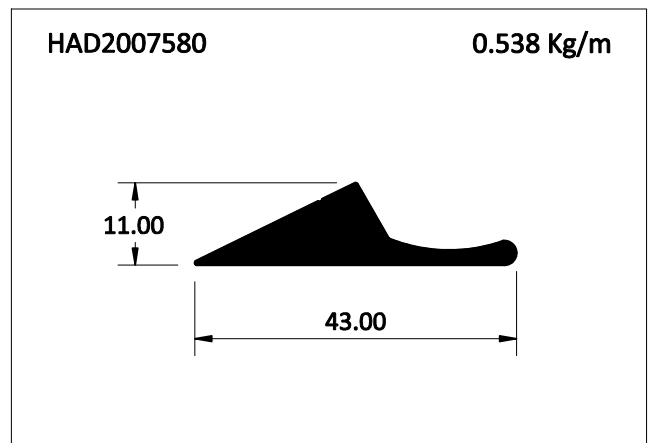
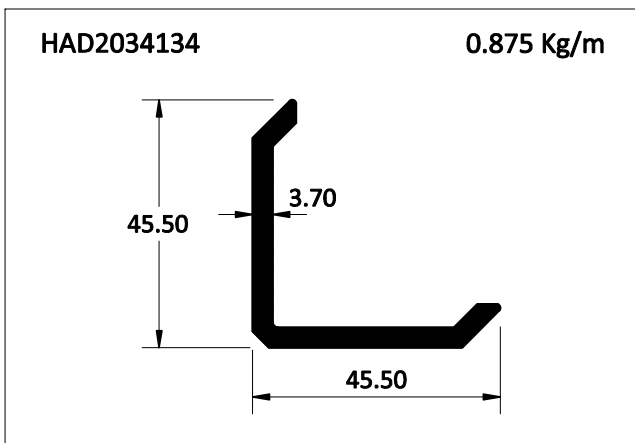
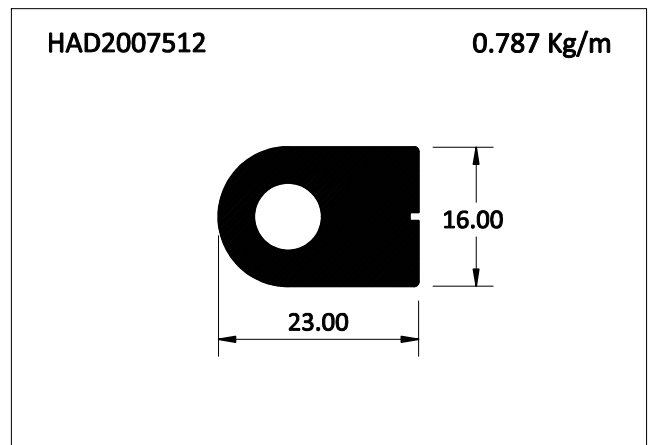
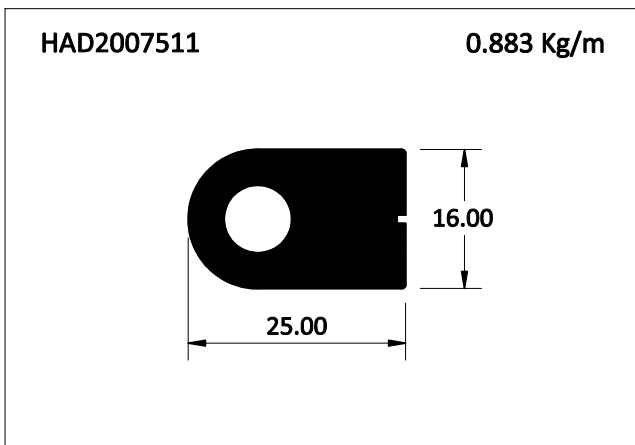
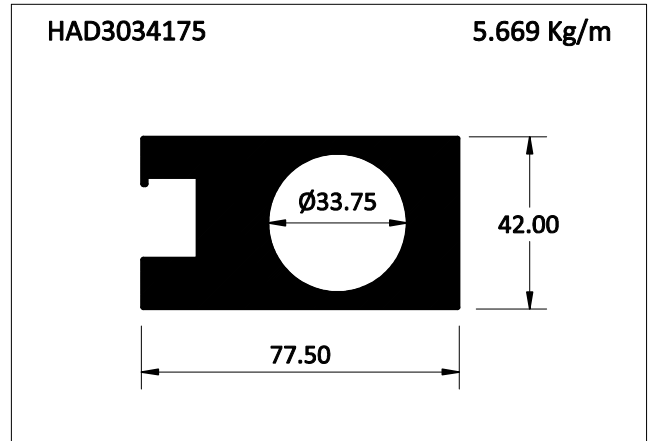
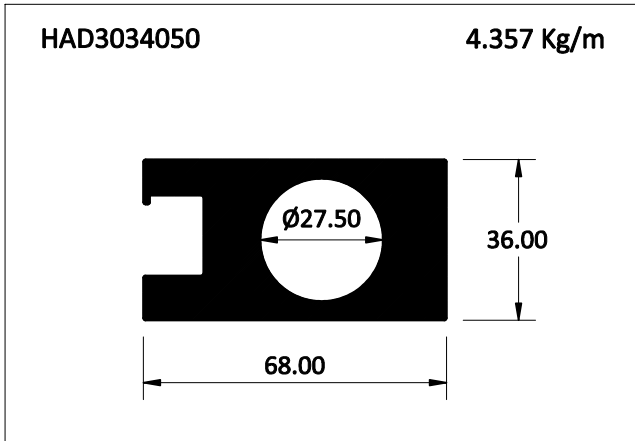
HARDWARE



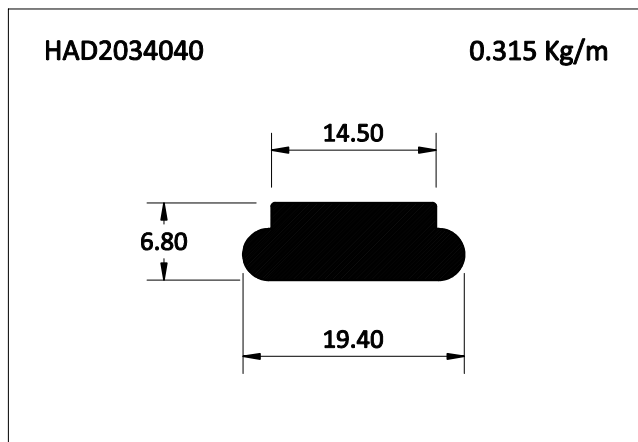
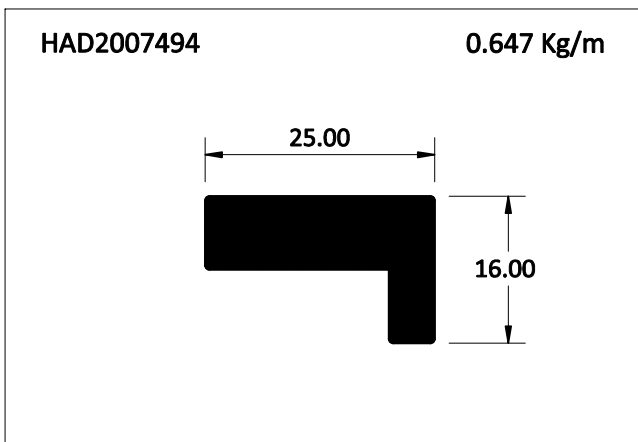
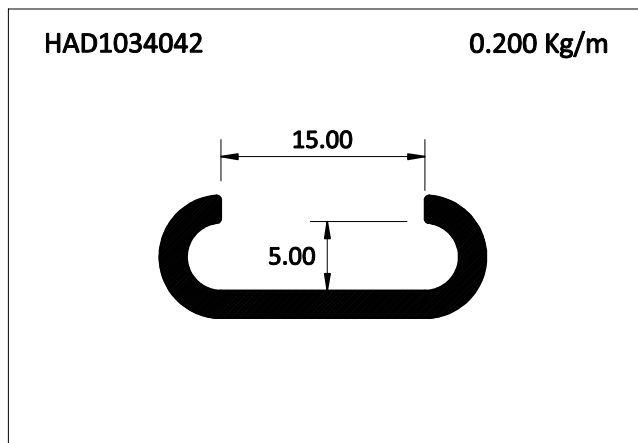
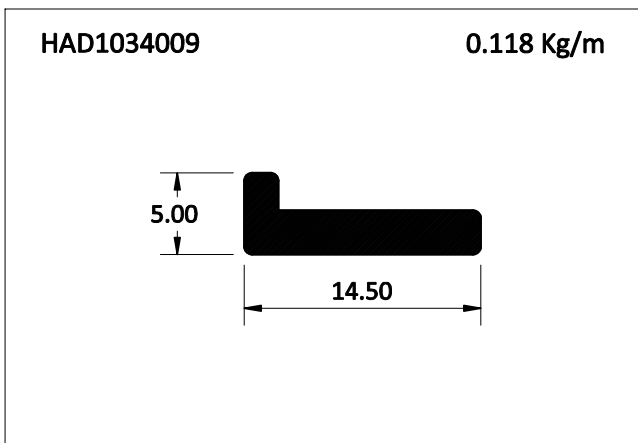
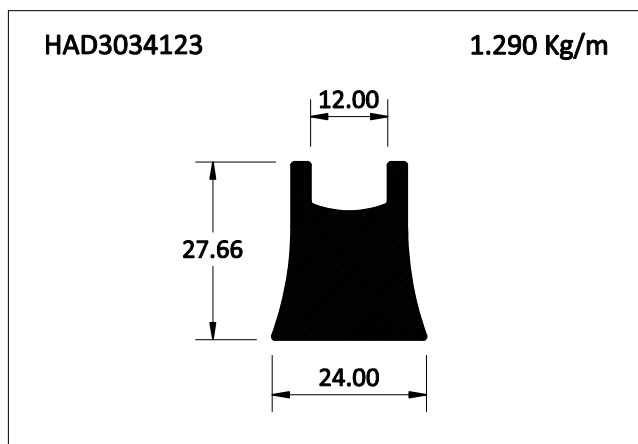
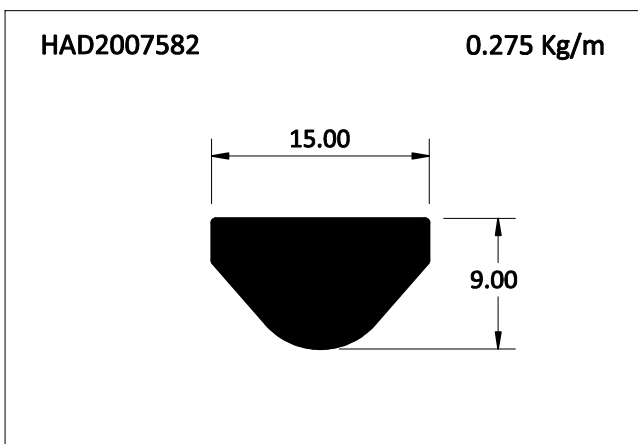
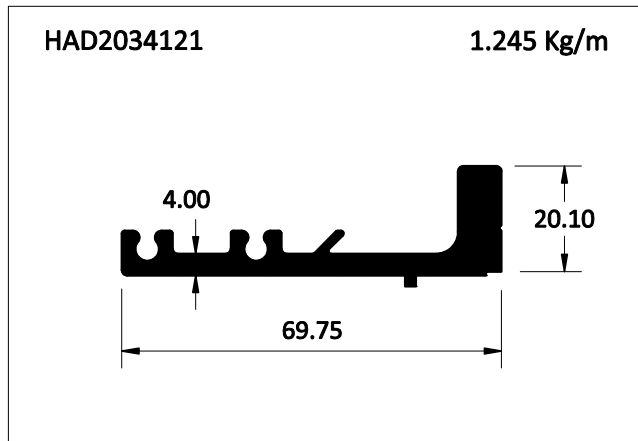
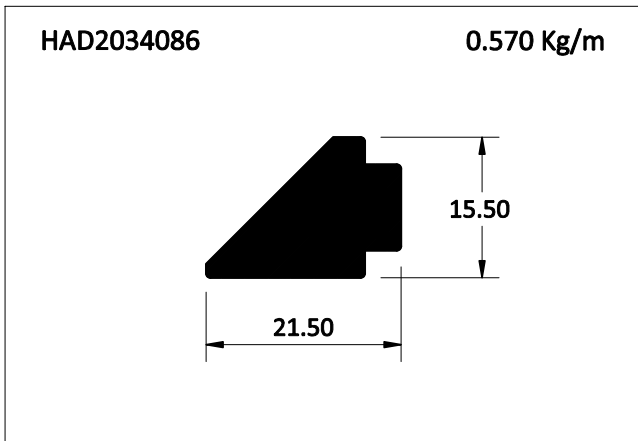
HARDWARE



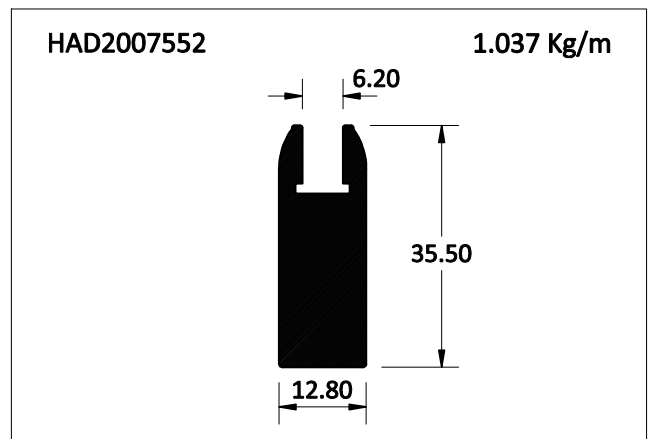
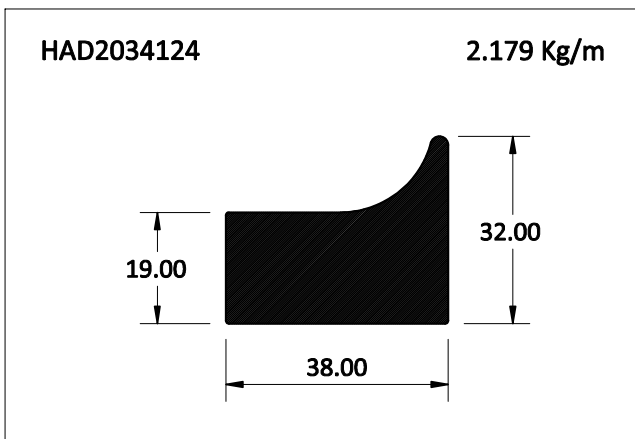
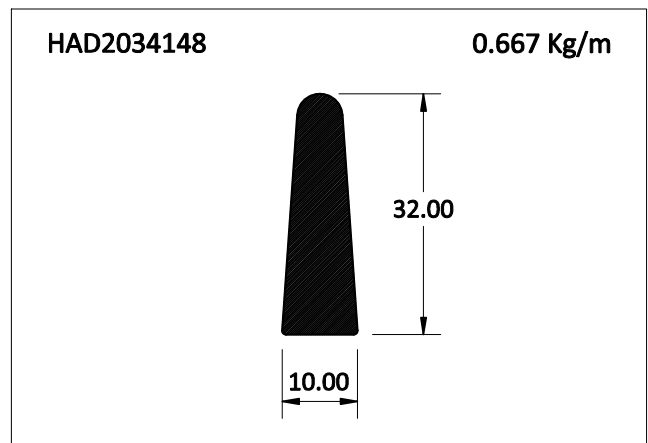
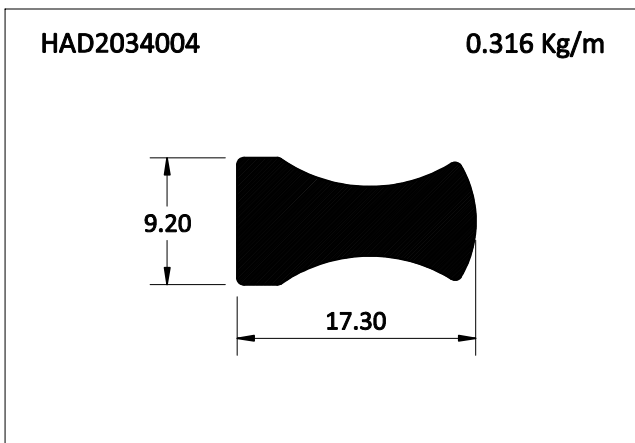
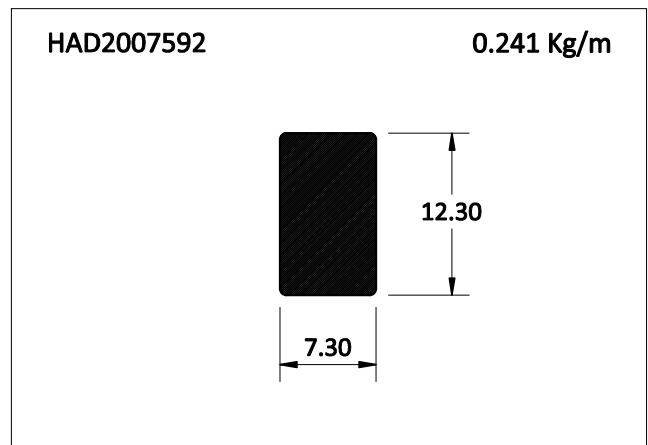
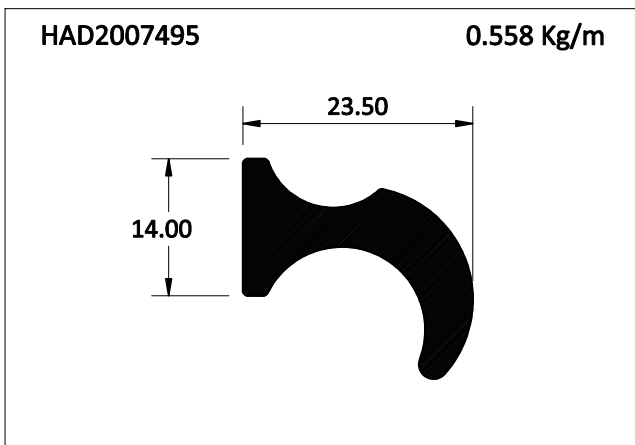
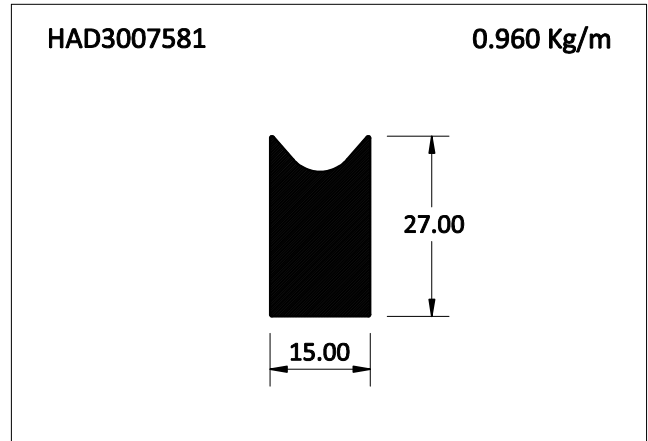
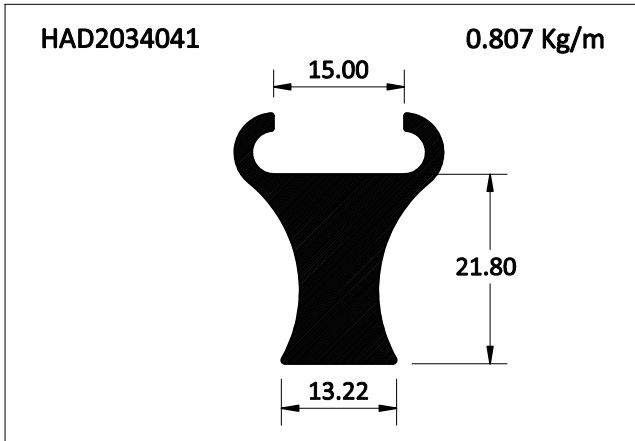
HARDWARE



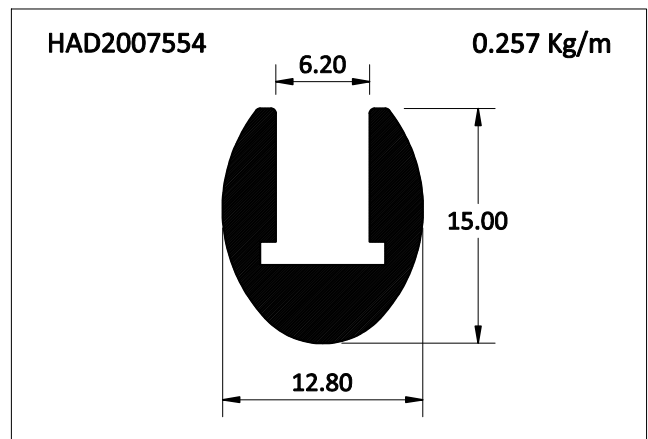
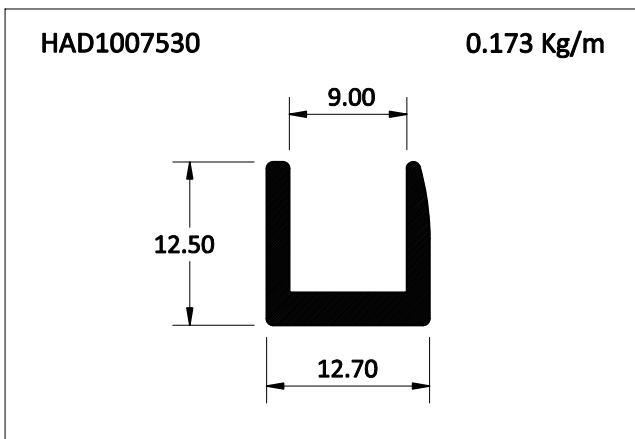
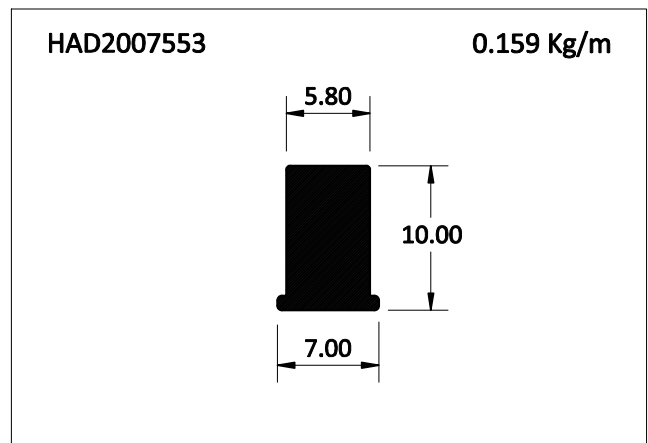
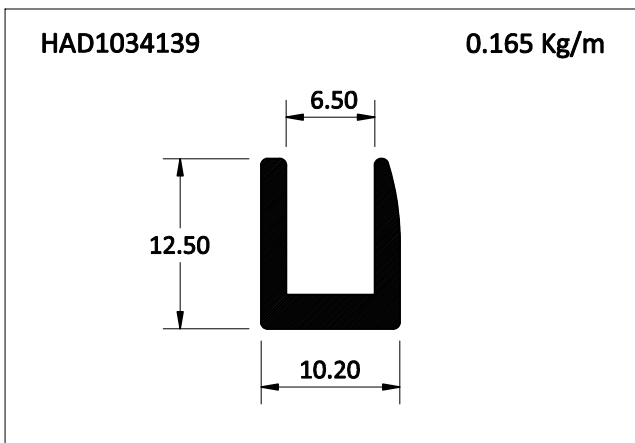
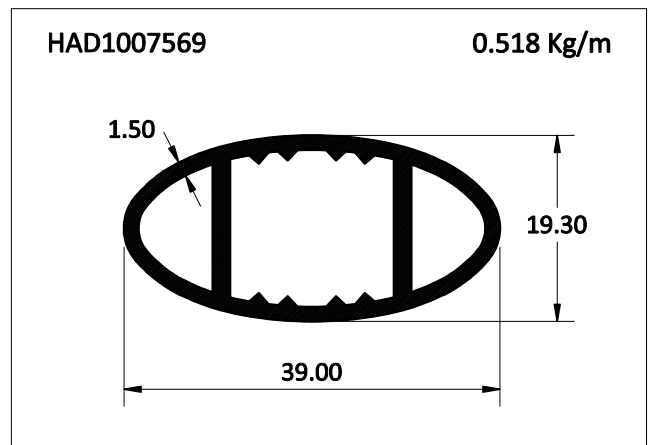
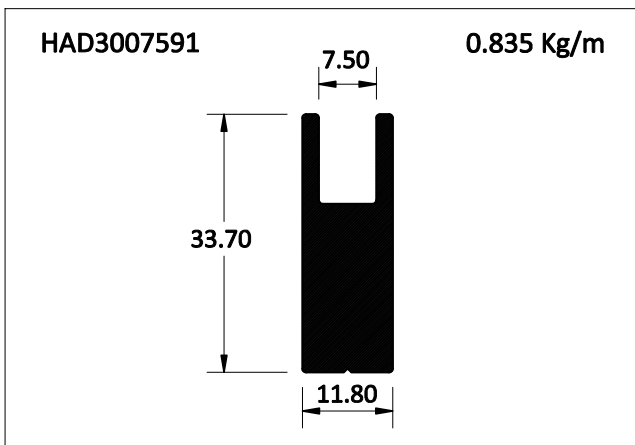
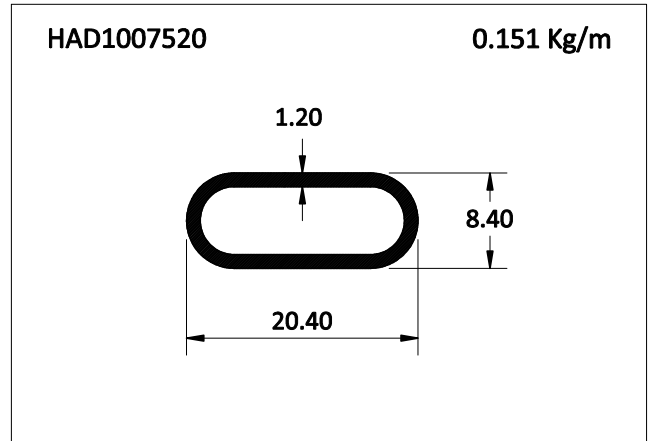
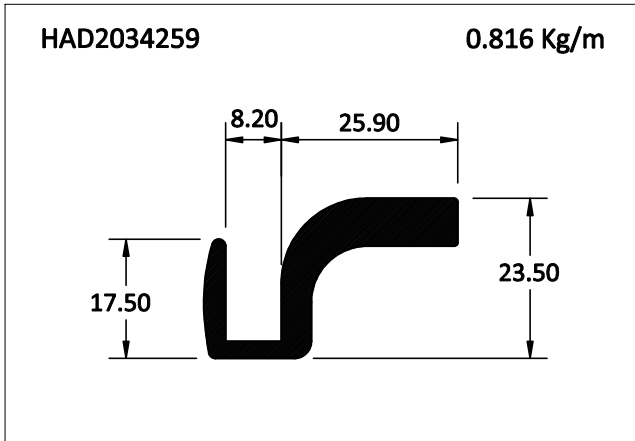
HARDWARE



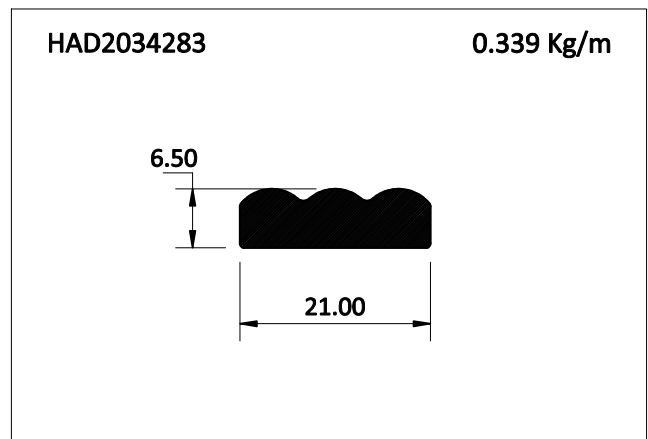
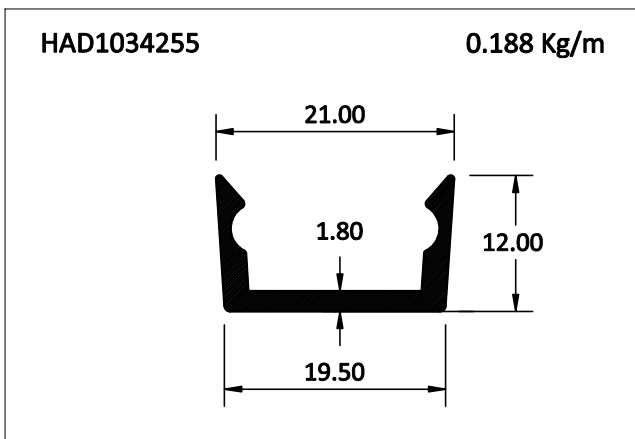
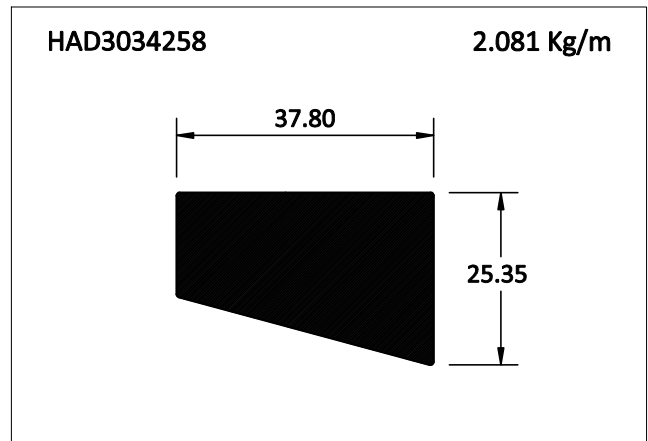
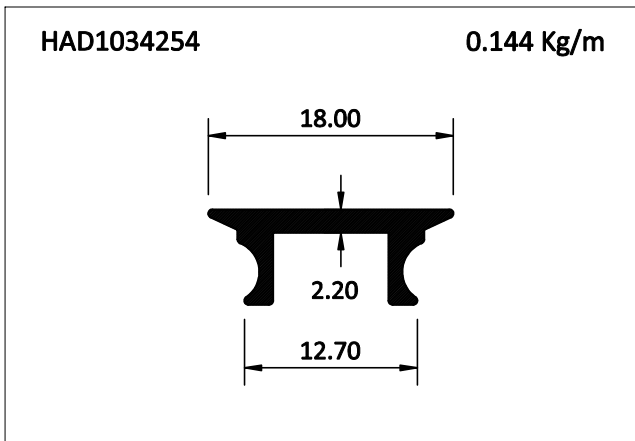
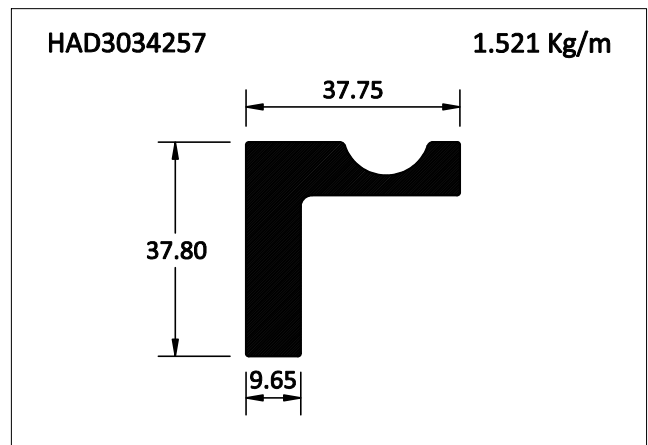
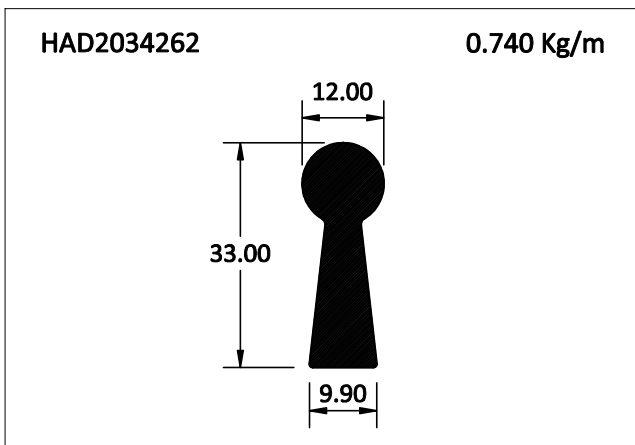
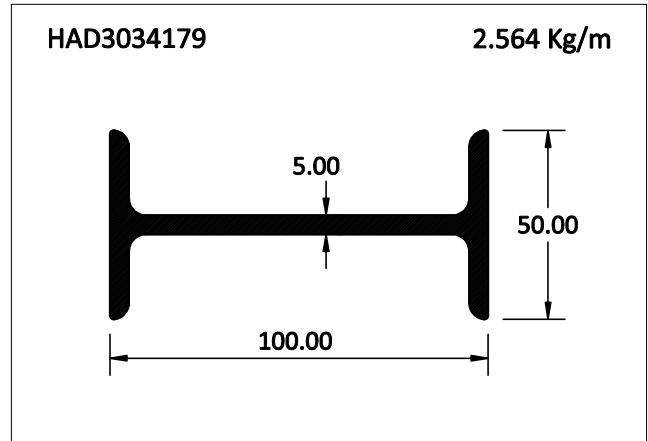
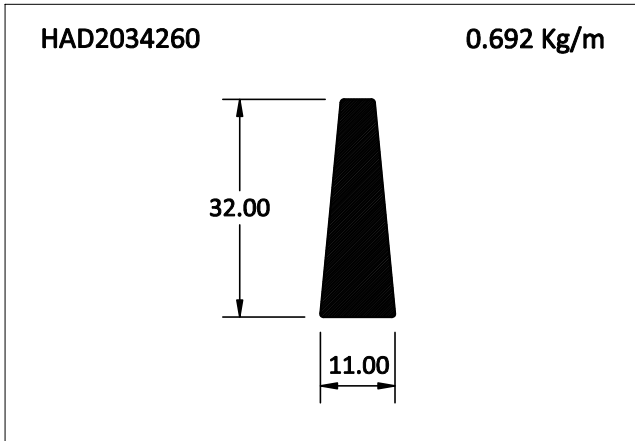
HARDWARE



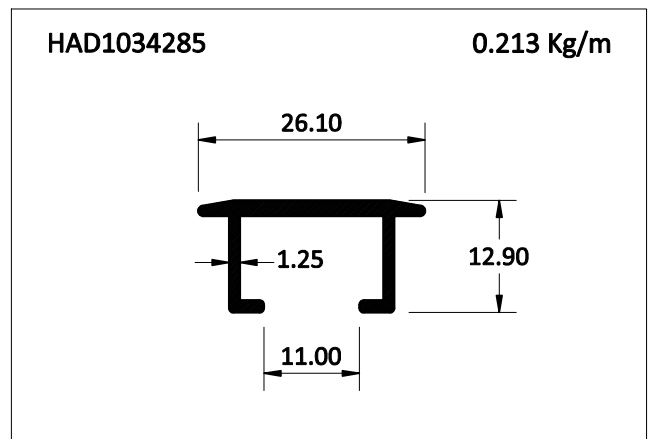
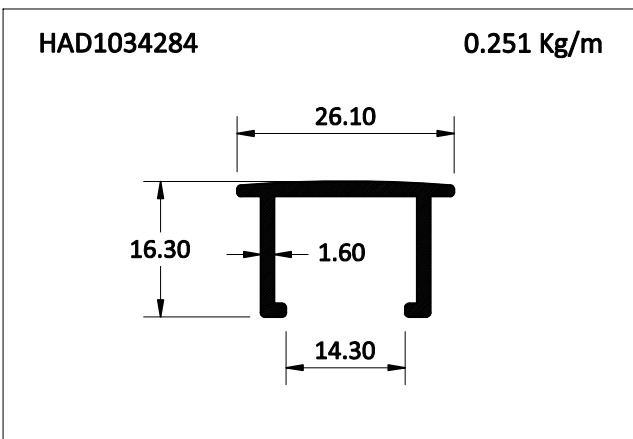
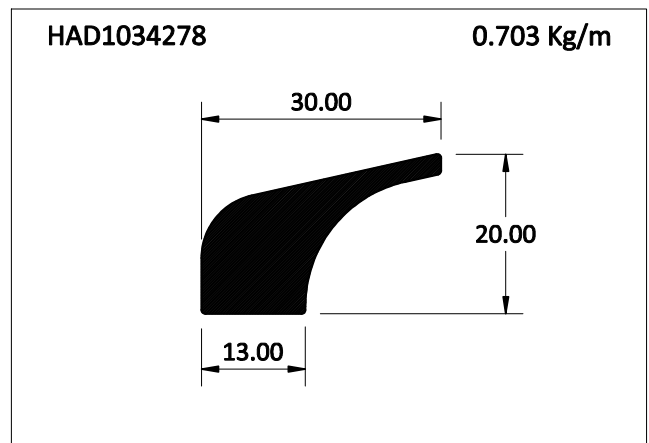
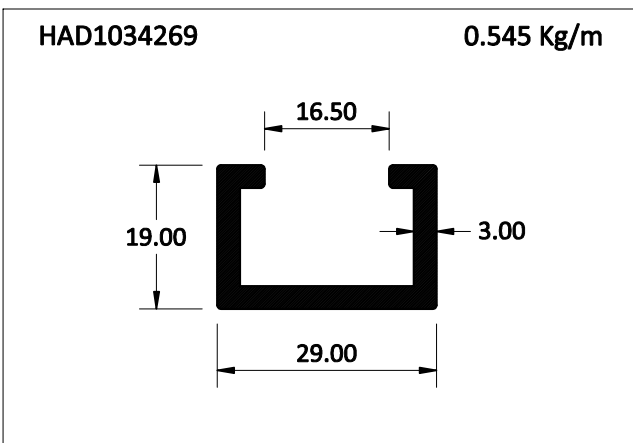
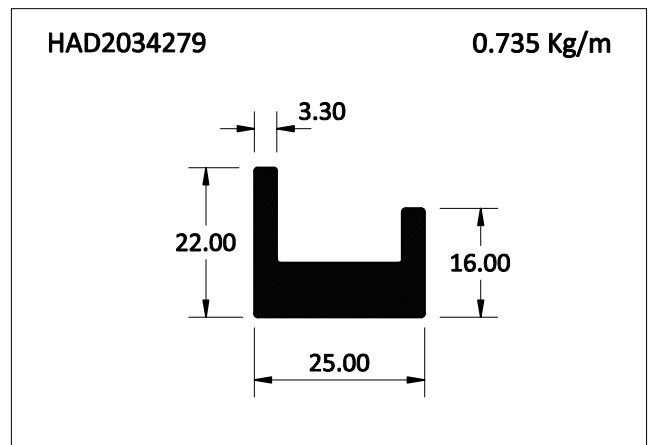
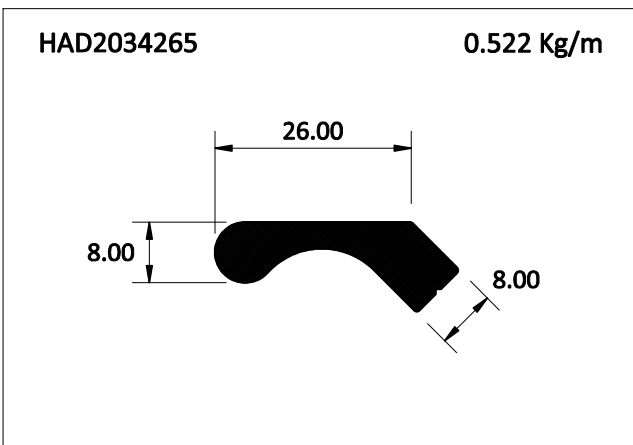
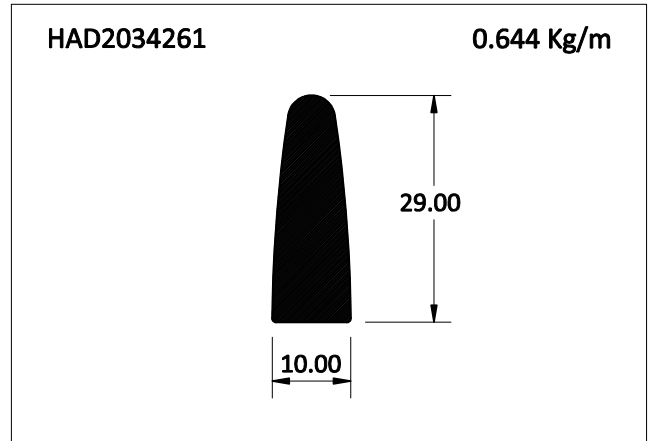
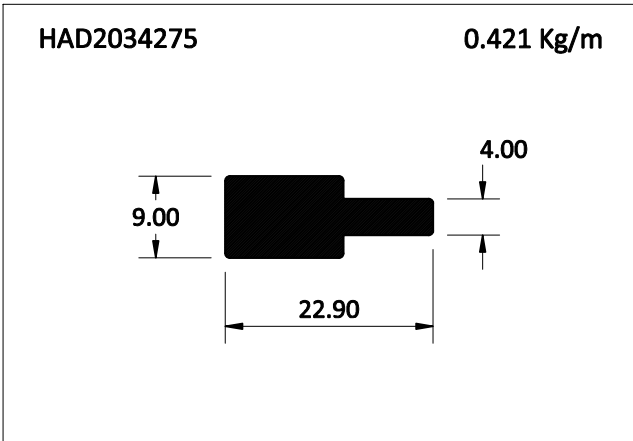
HARDWARE



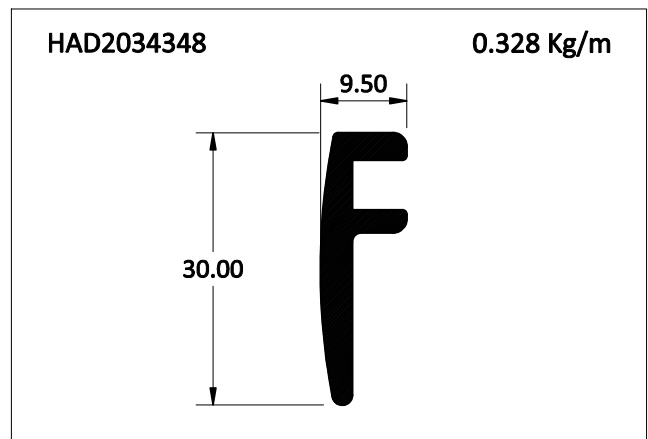
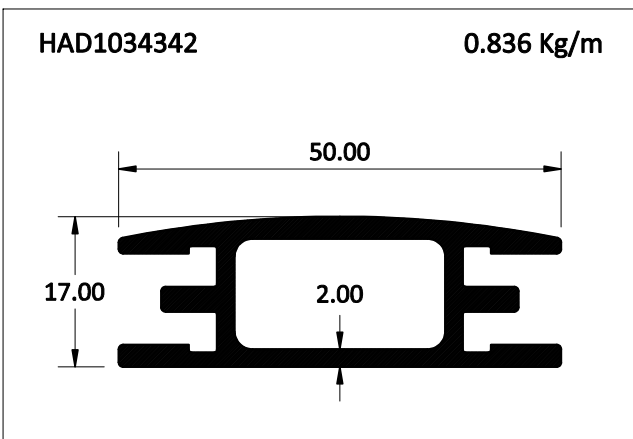
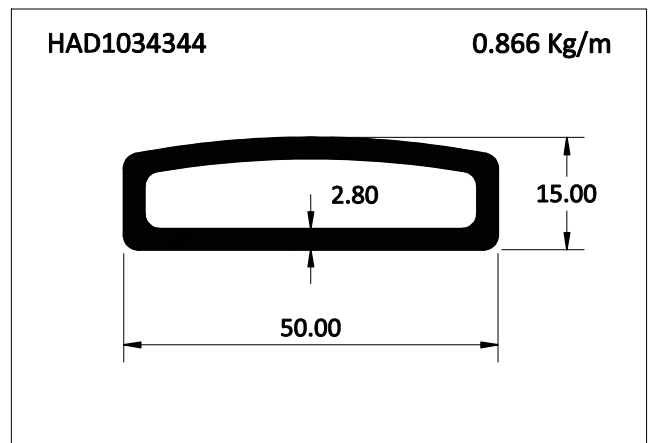
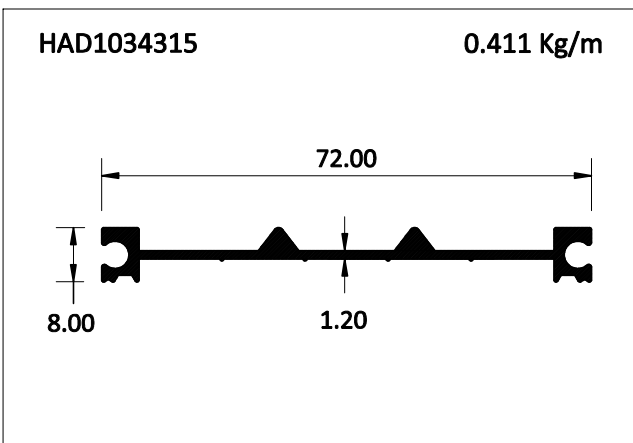
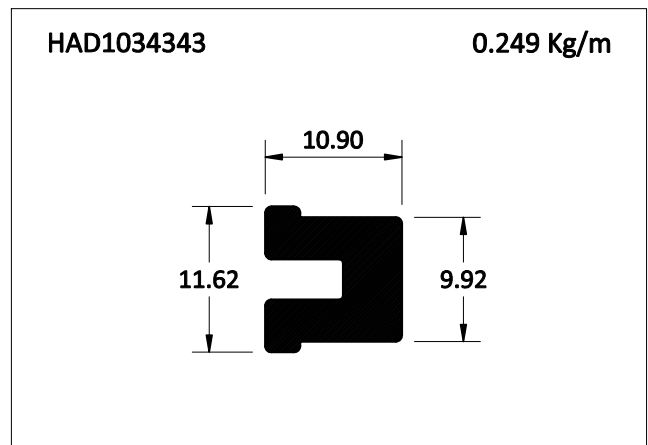
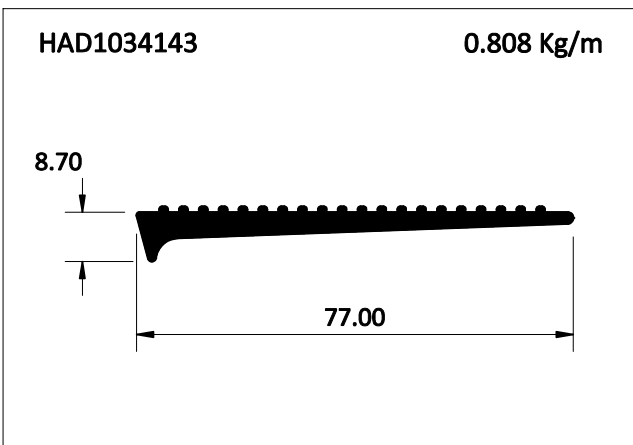
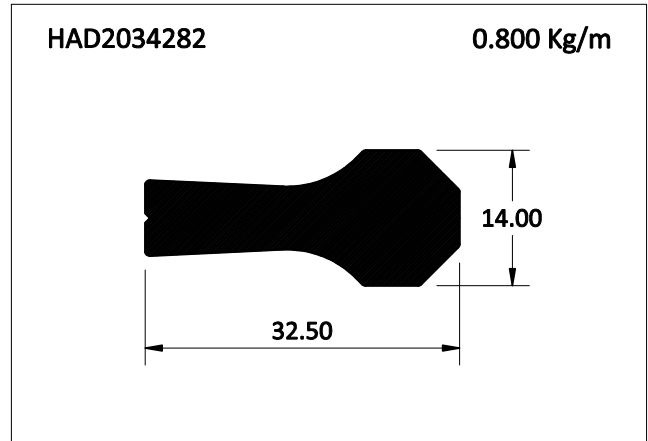
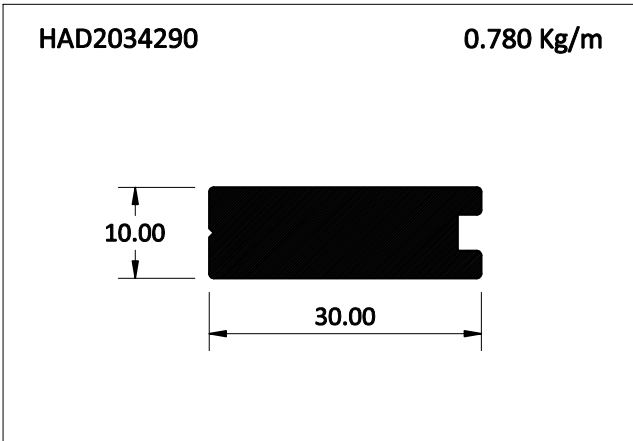
HARDWARE



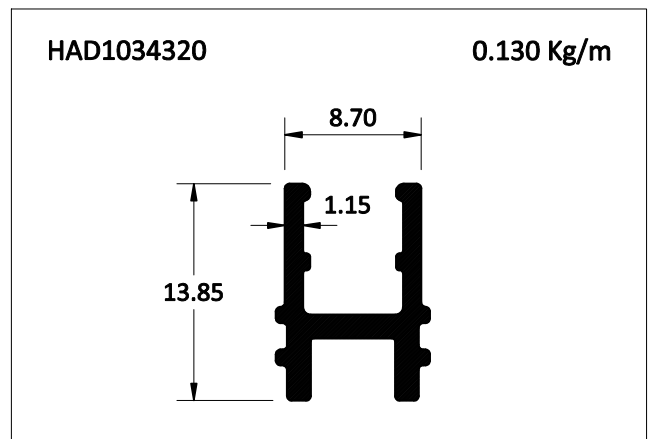
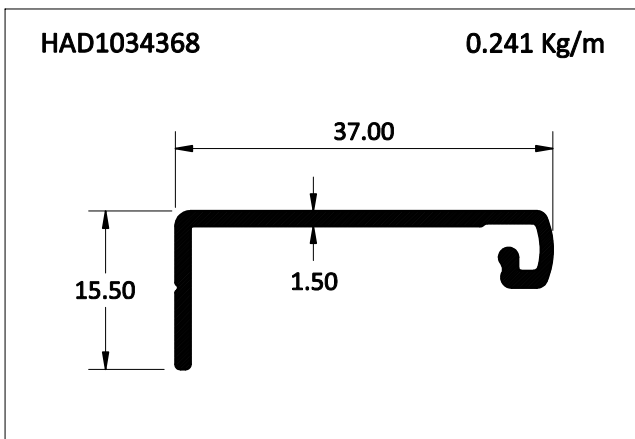
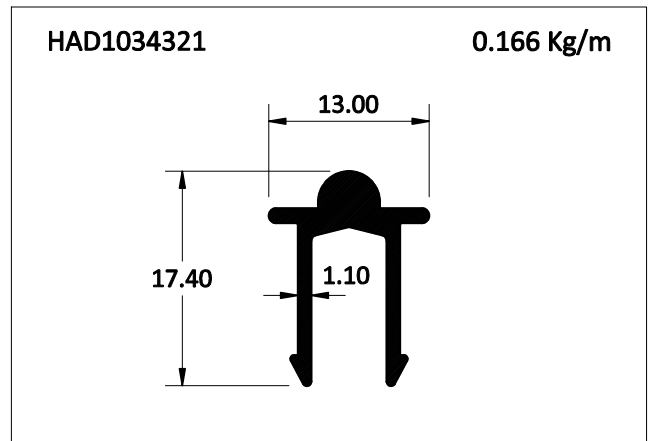
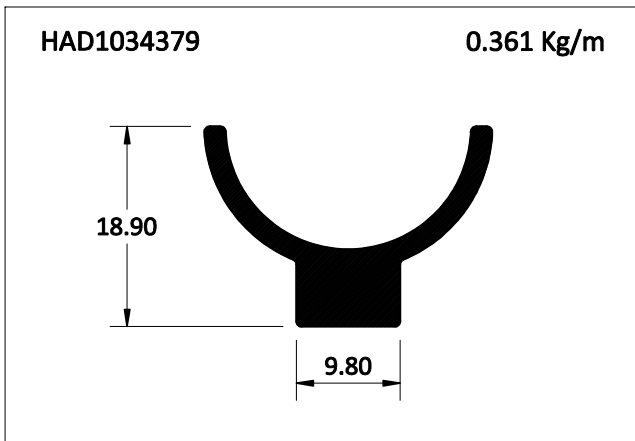
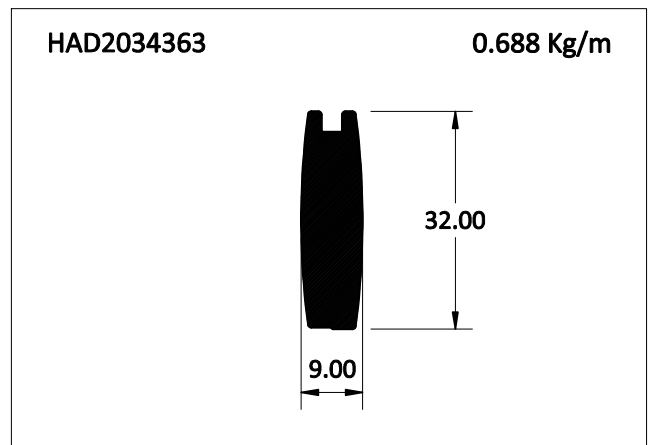
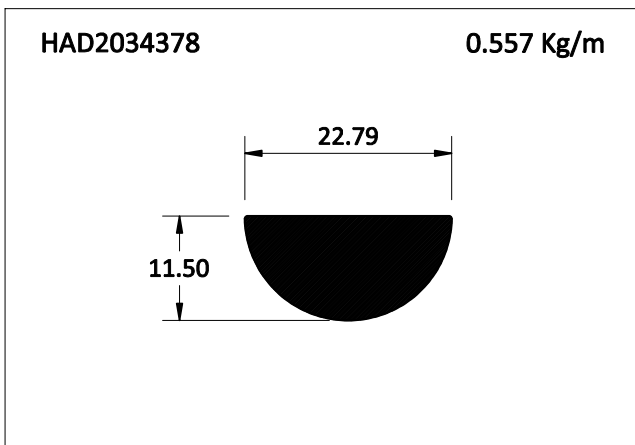
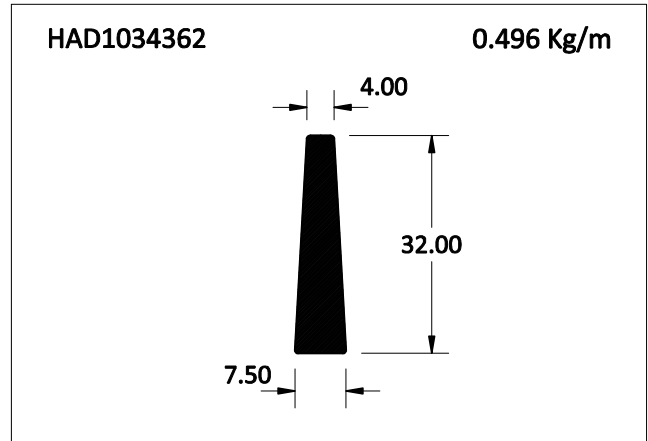
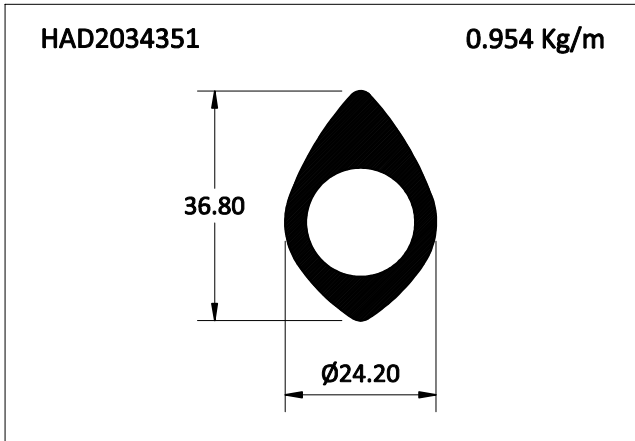
HARDWARE



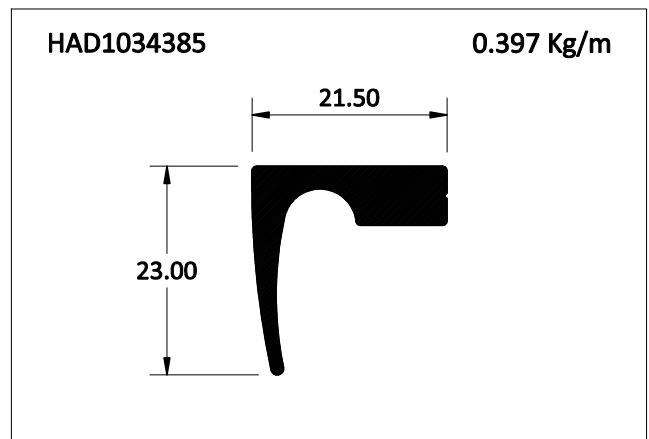
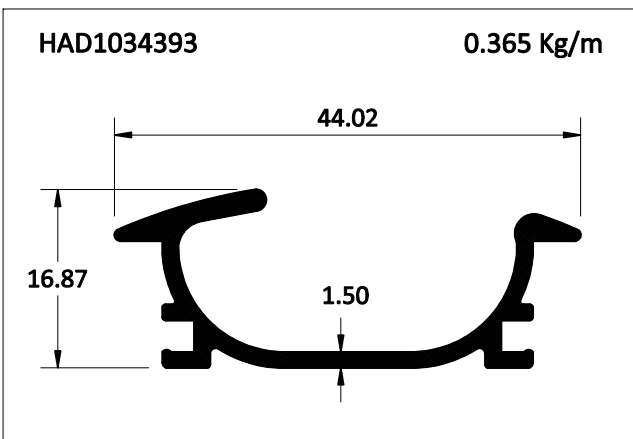
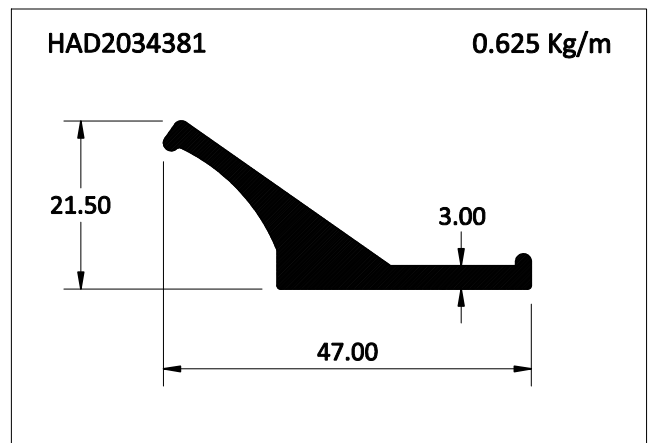
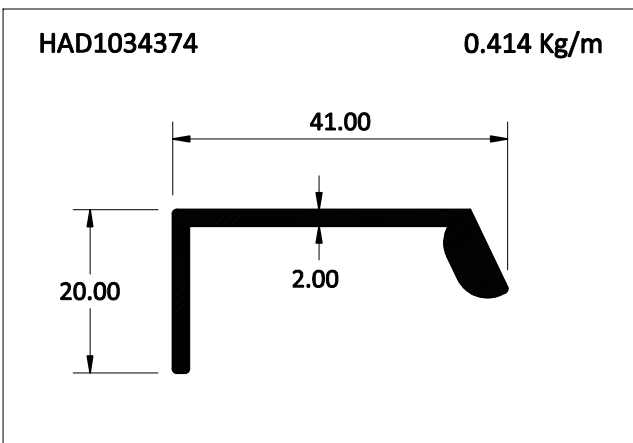
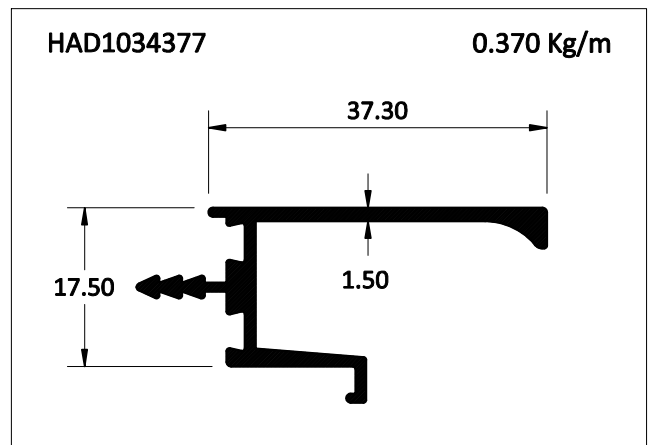
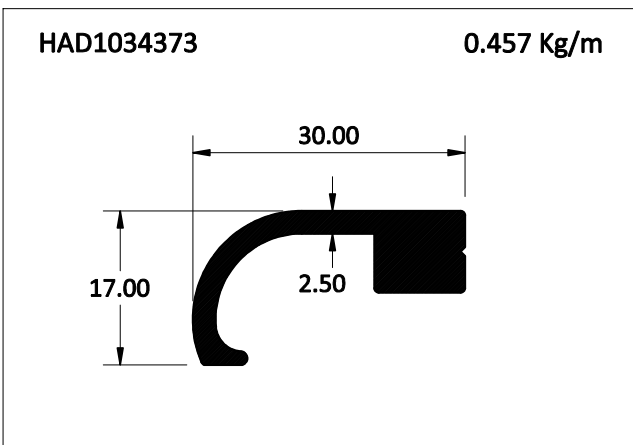
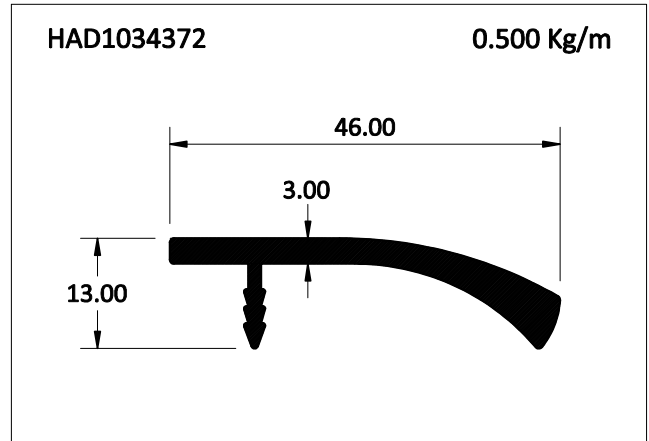
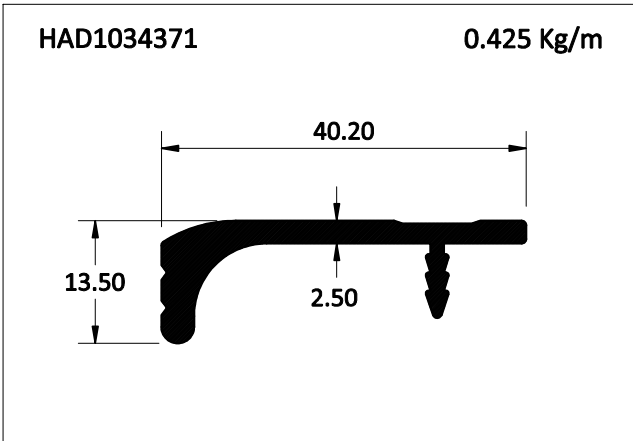
HARDWARE



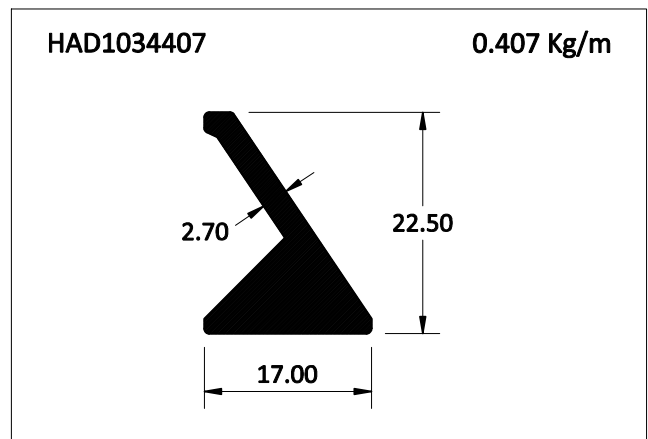
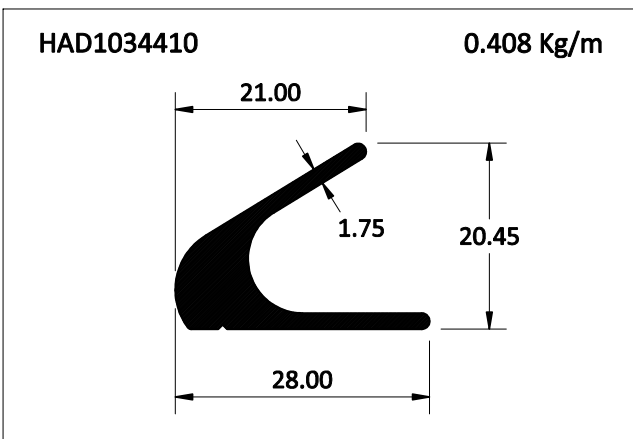
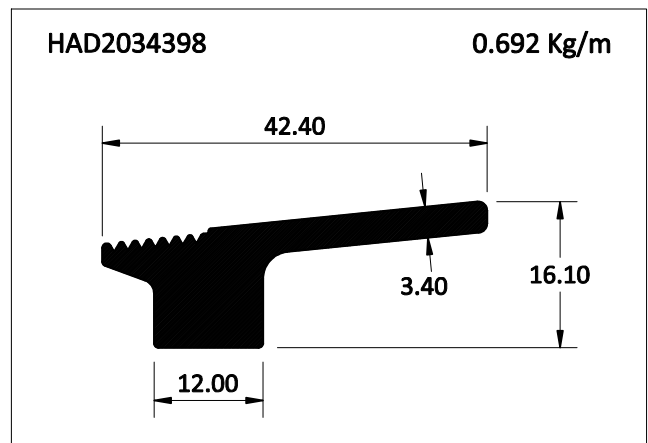
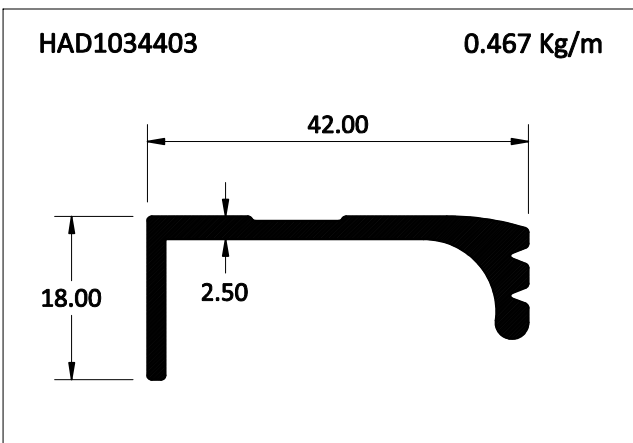
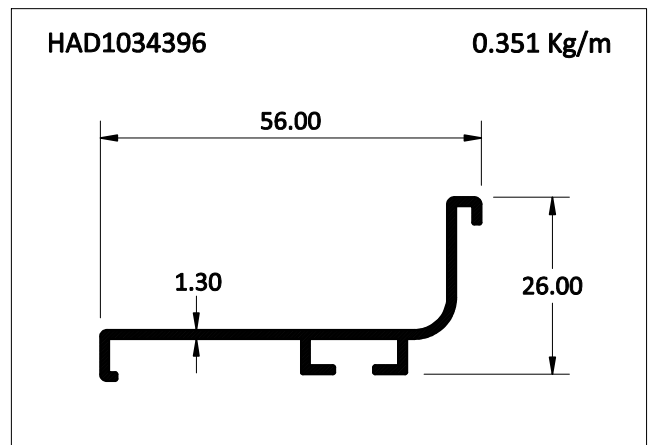
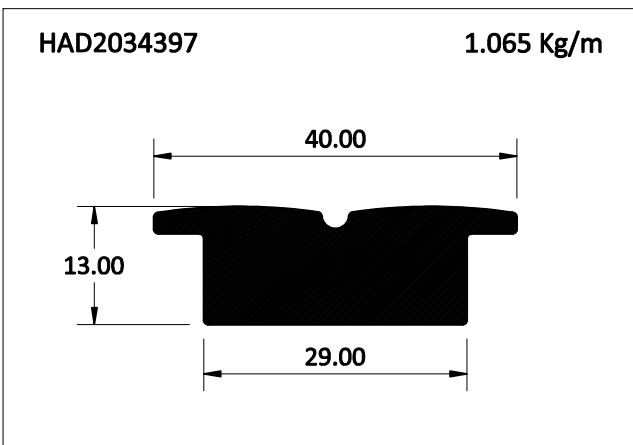
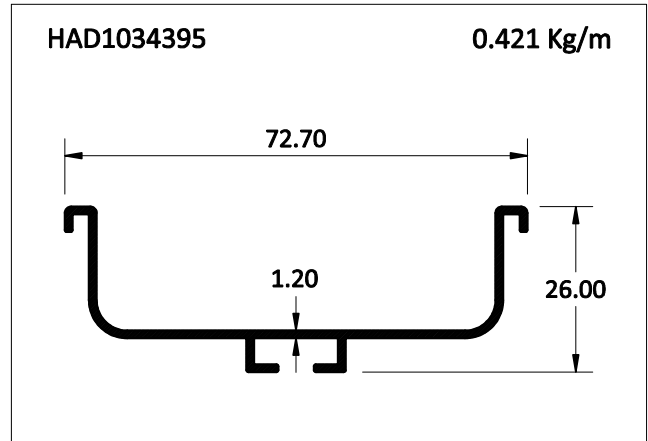
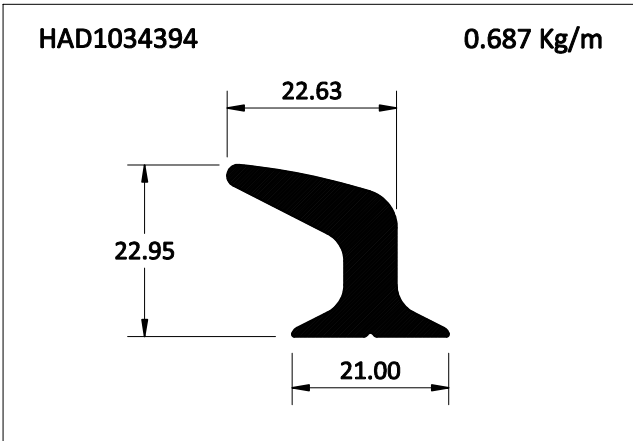
HARDWARE



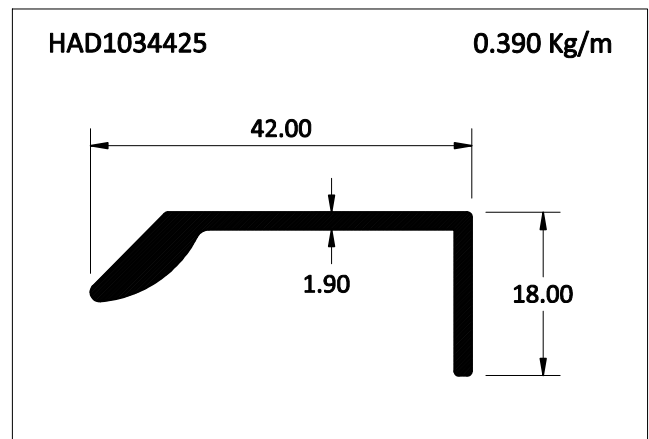
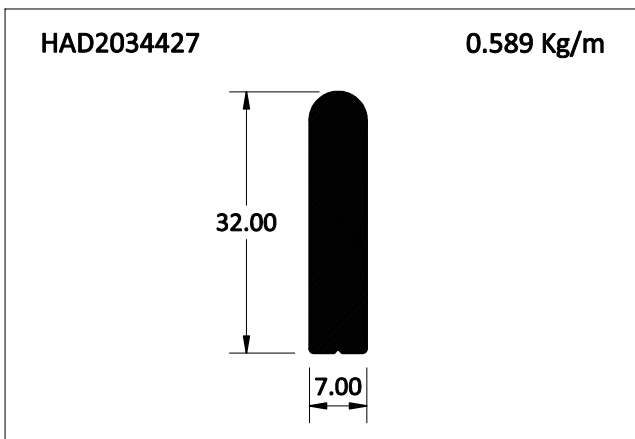
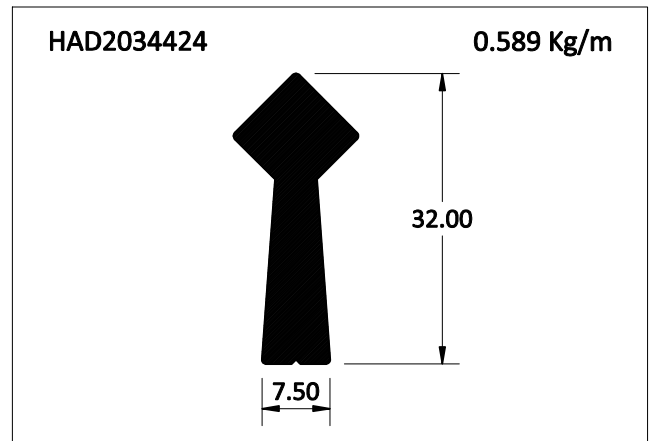
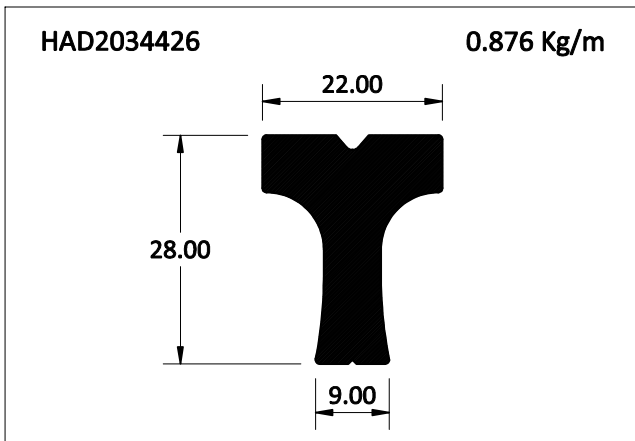
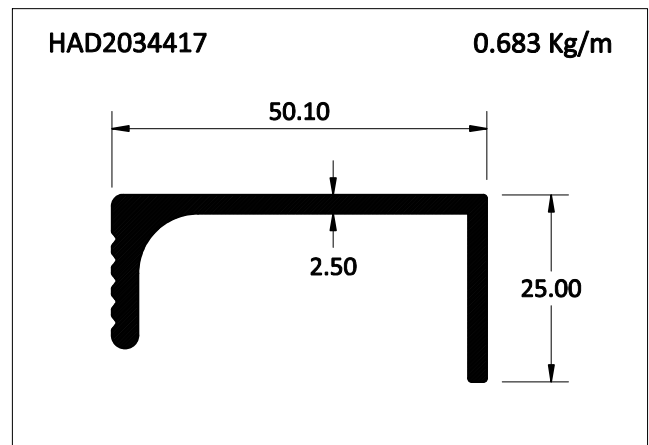
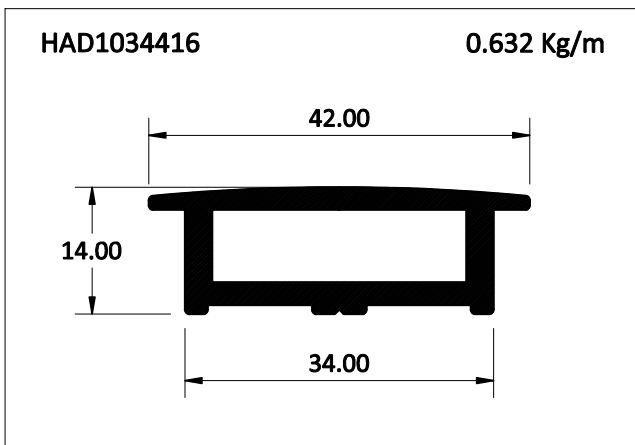
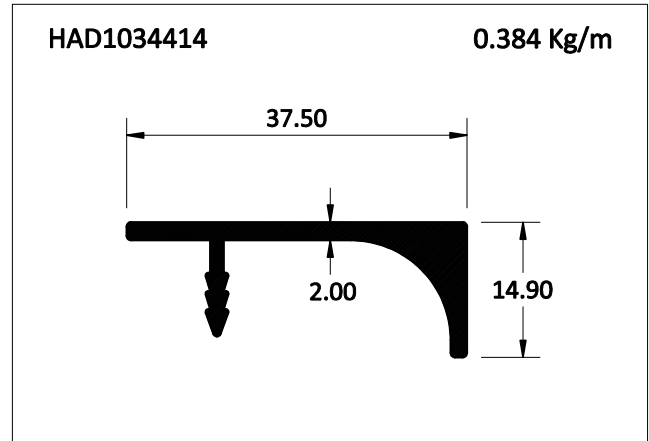
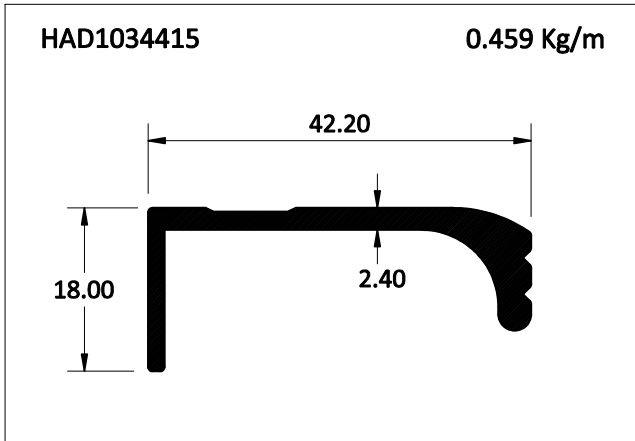
HARDWARE

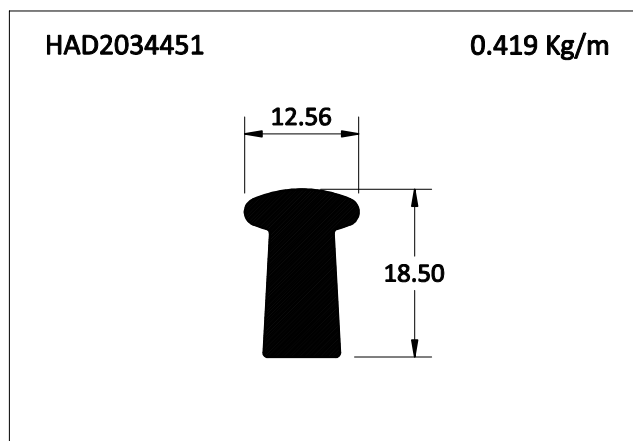
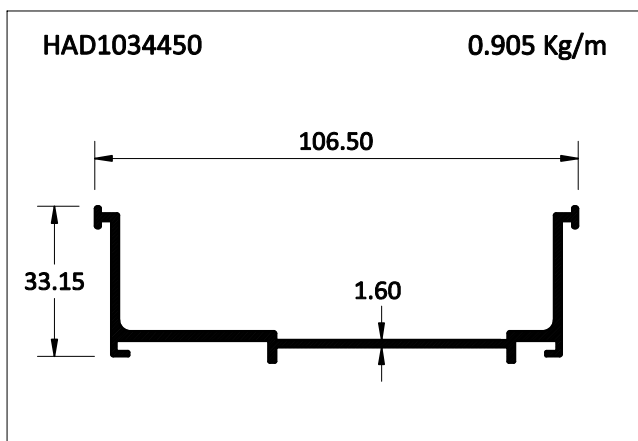
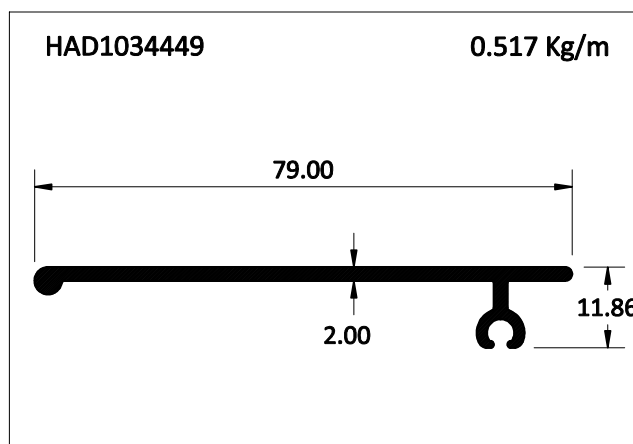
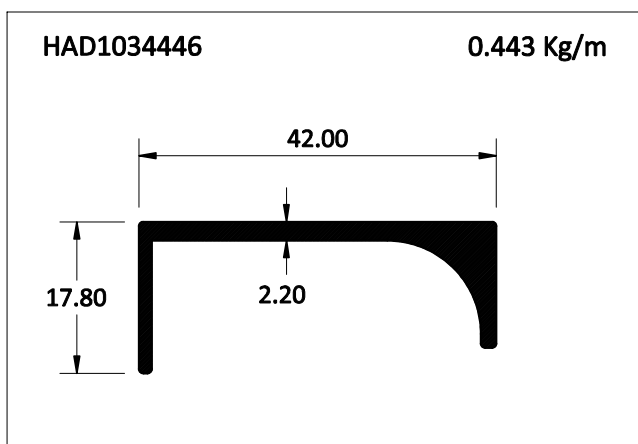
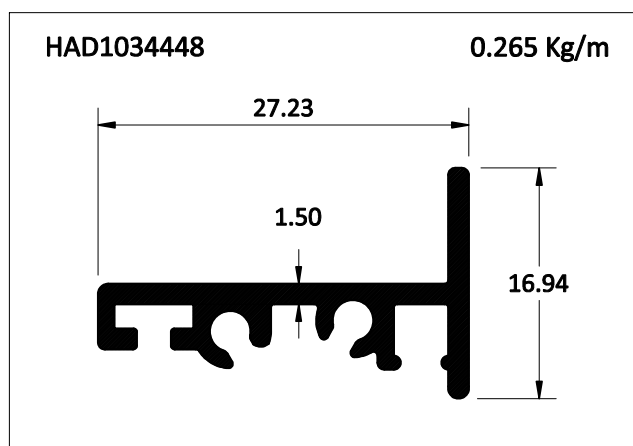
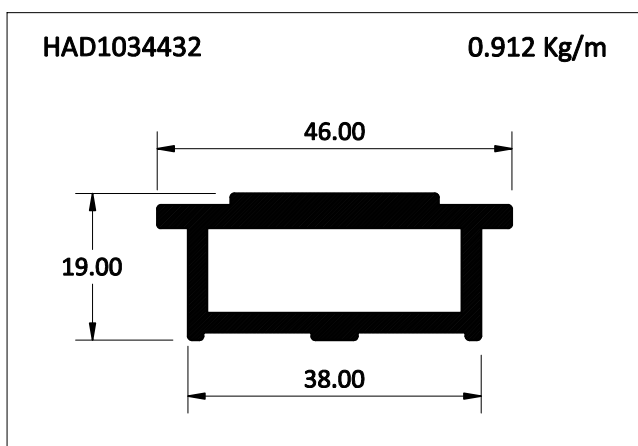
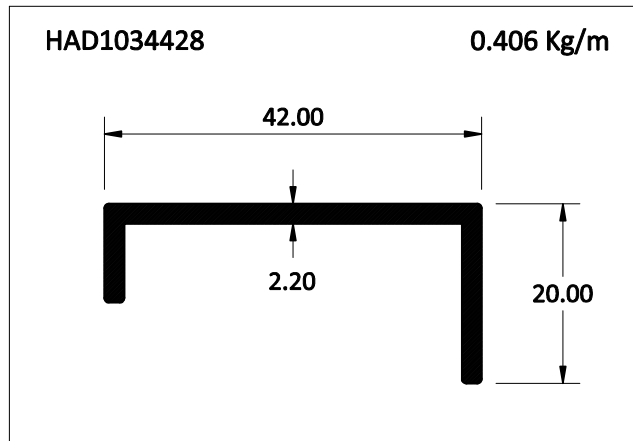
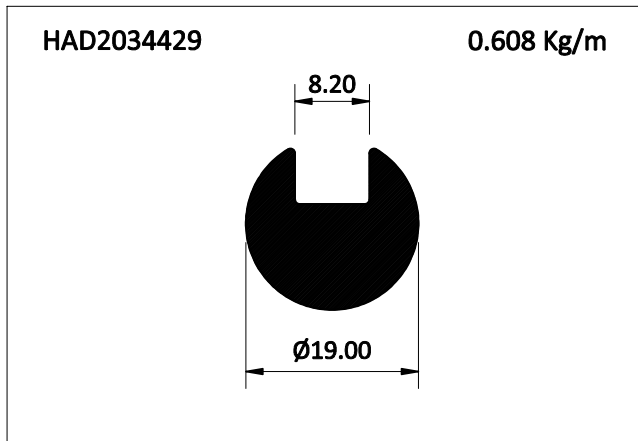


HARDWARE

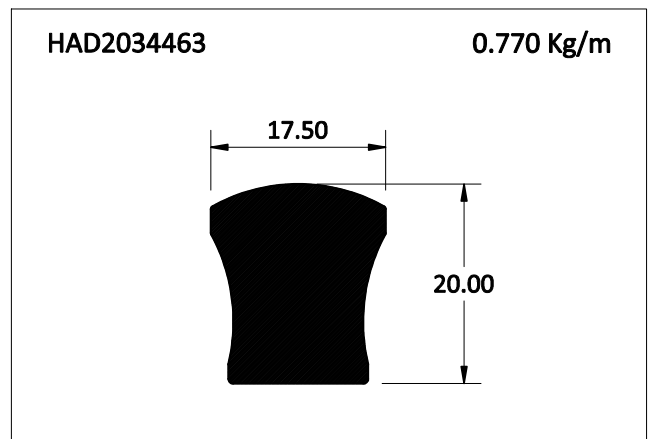
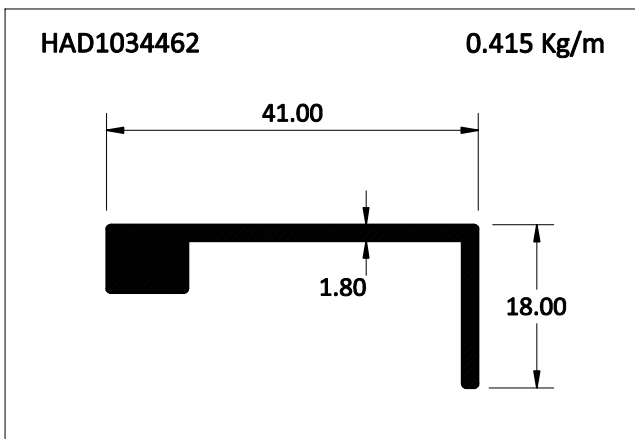
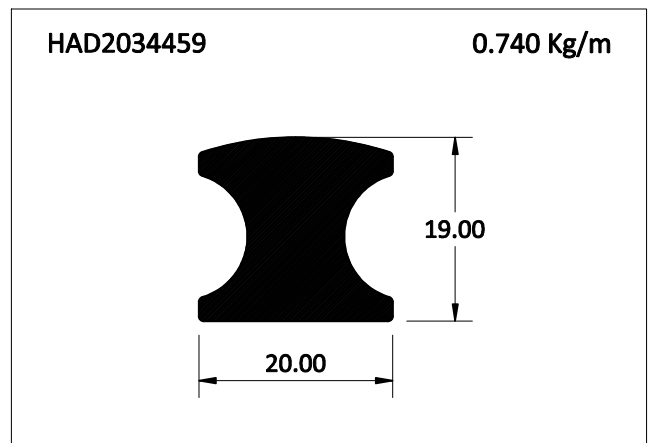
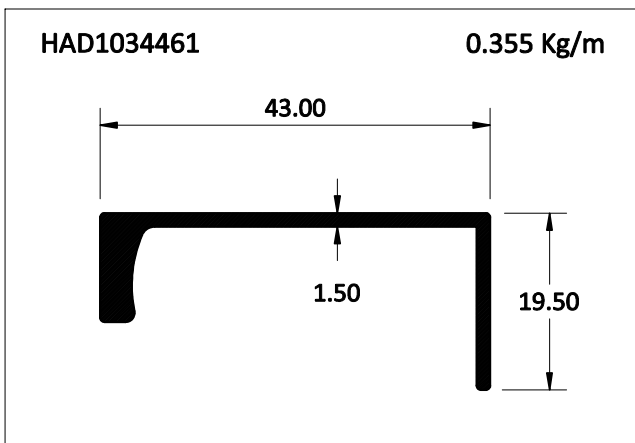
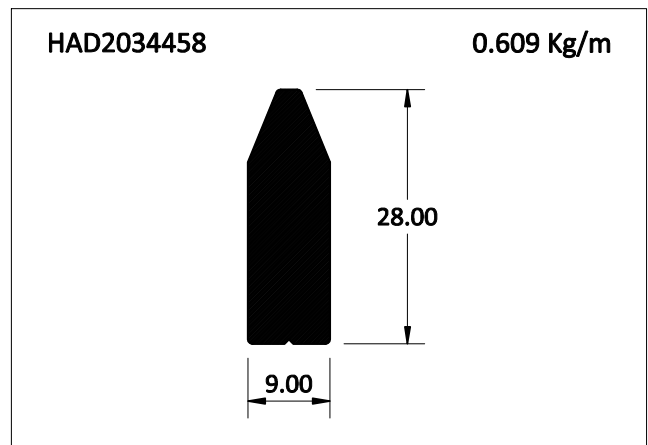
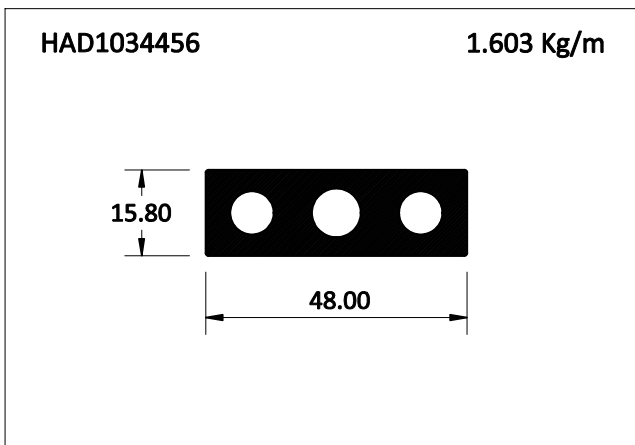
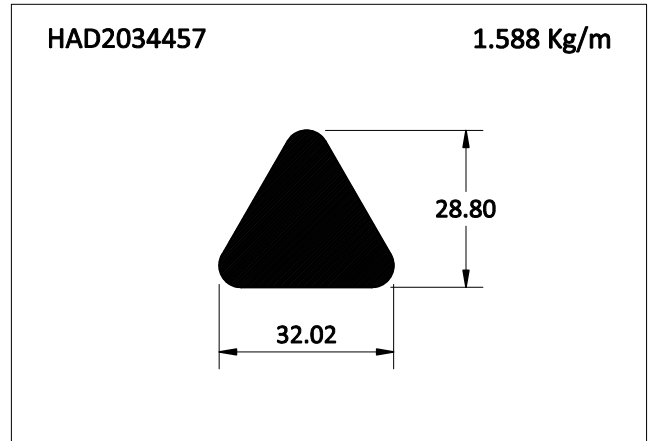
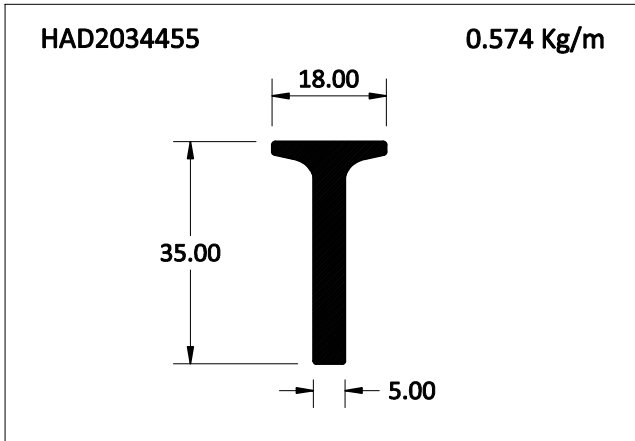


HARDWARE

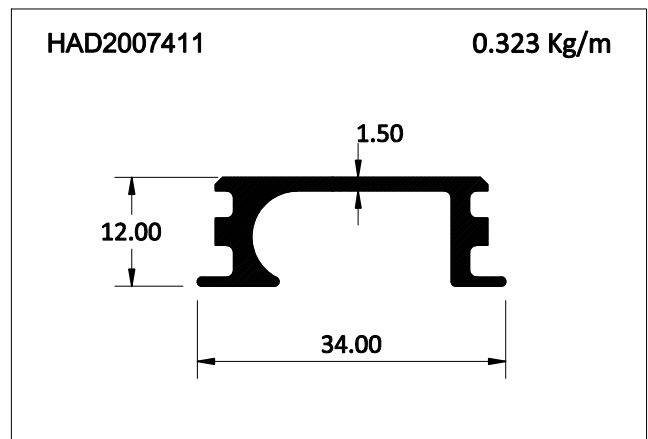
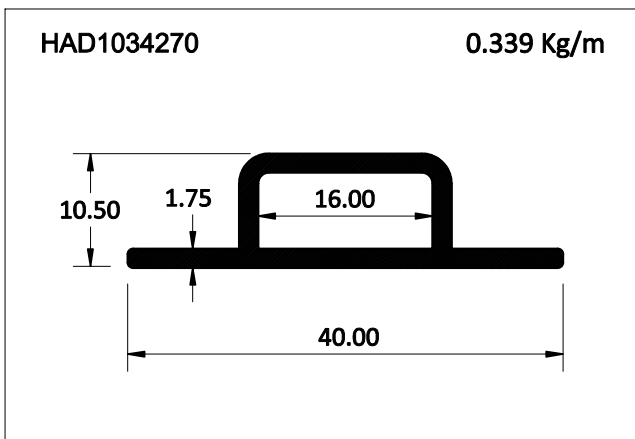
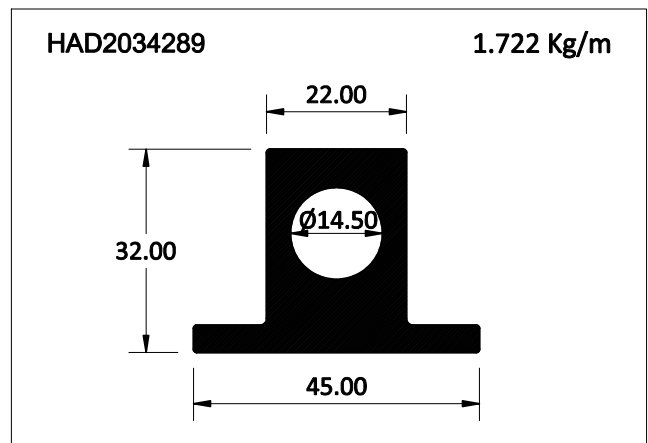
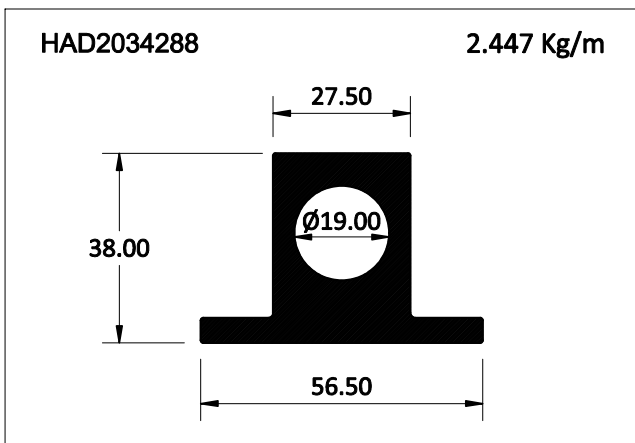
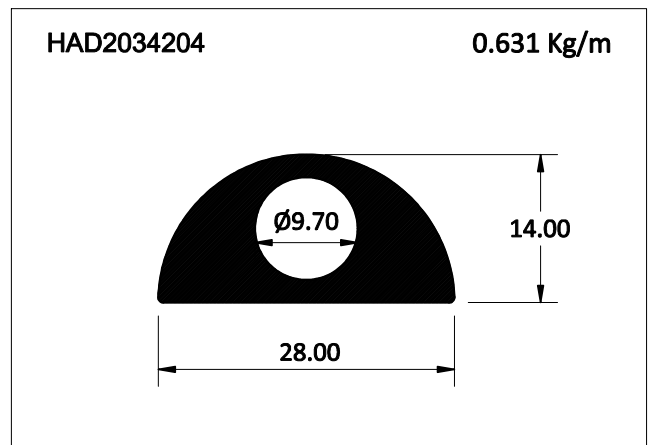
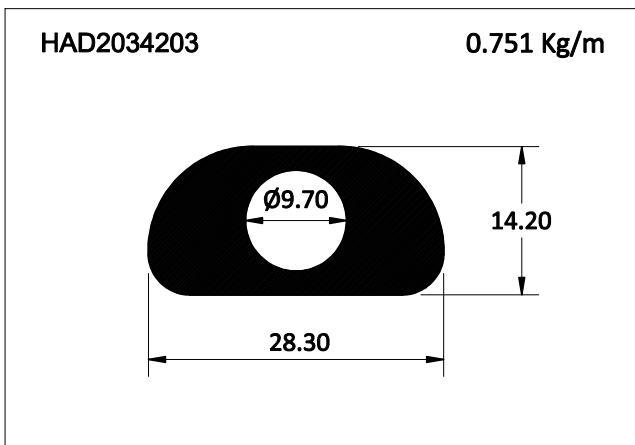
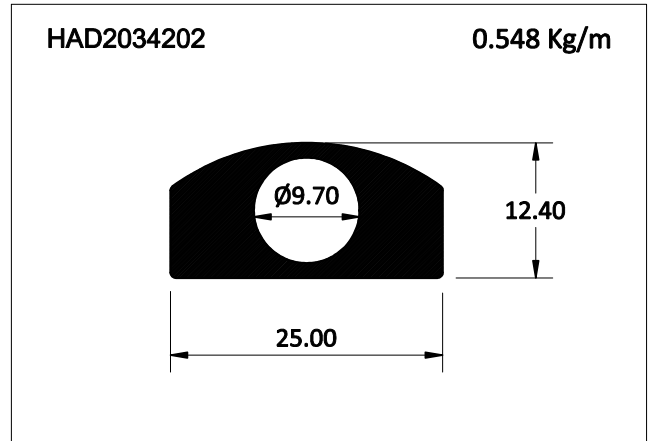
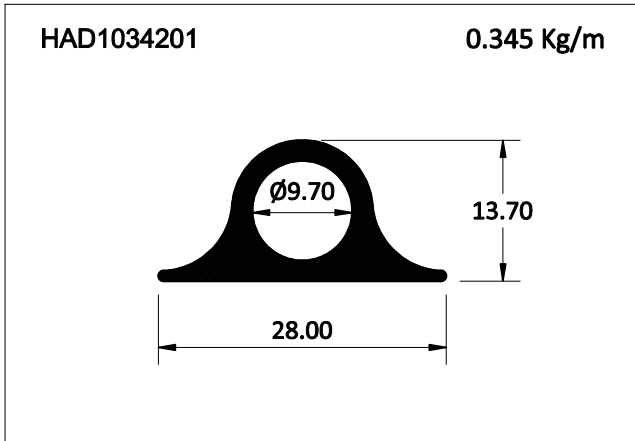




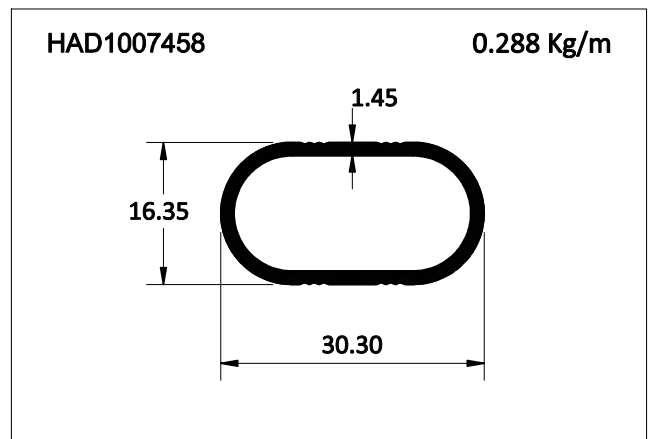
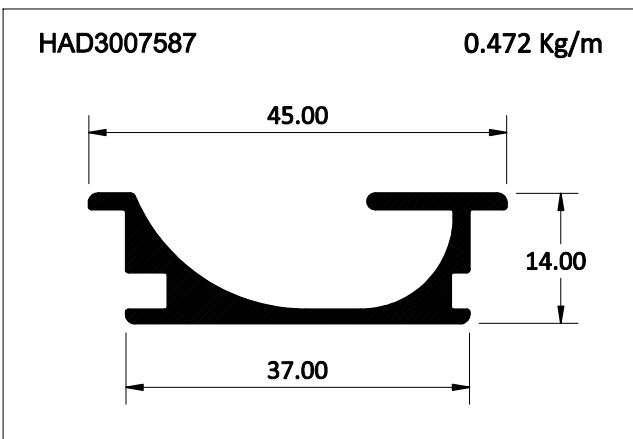
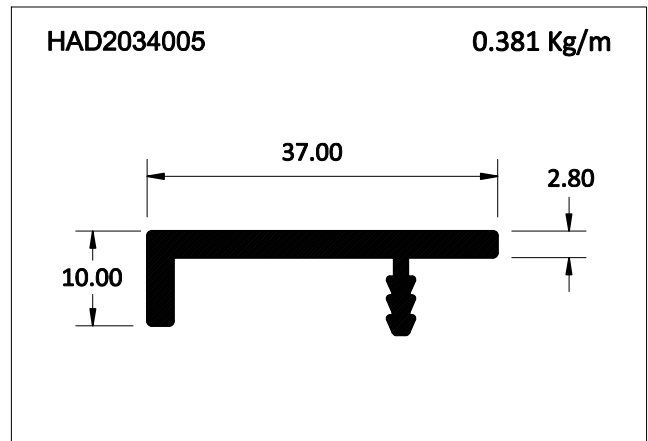
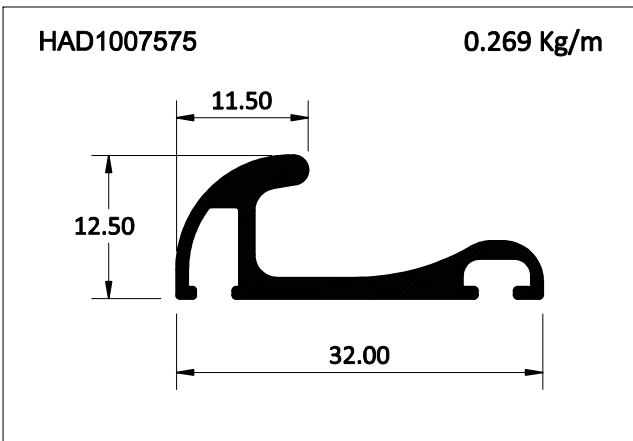
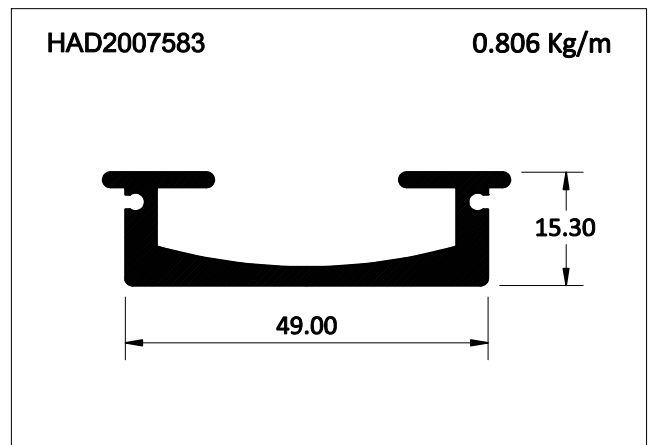
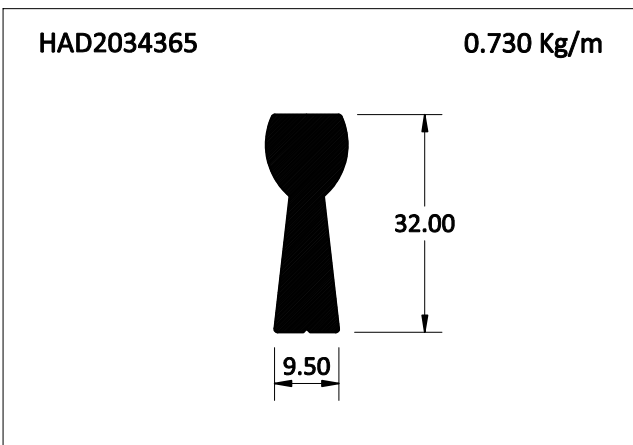
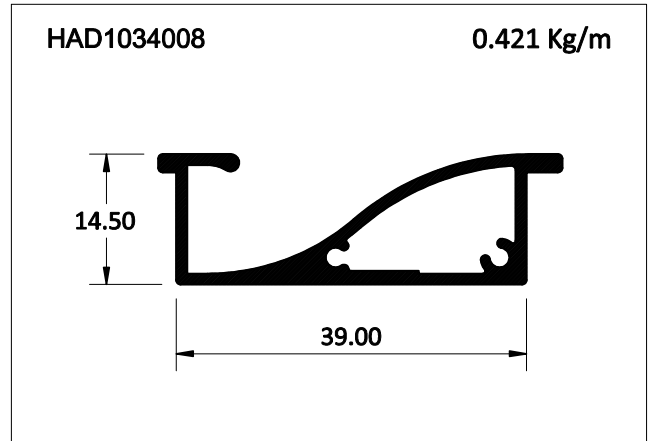
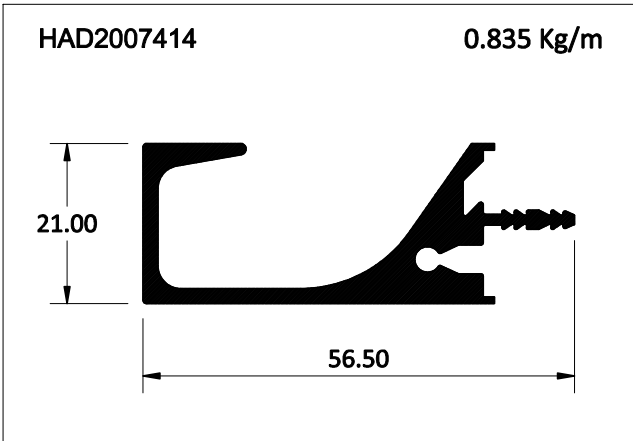
HARDWARE



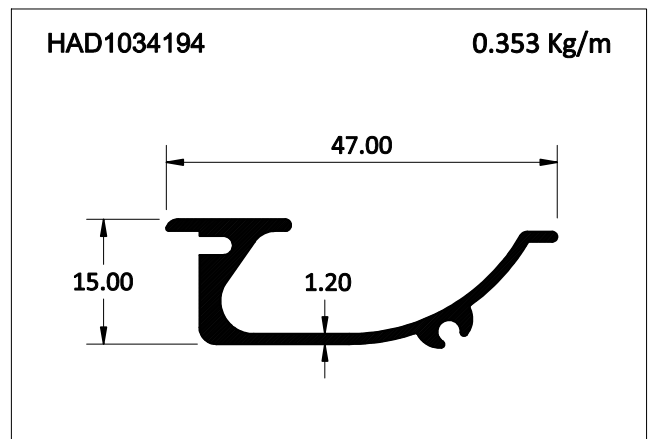
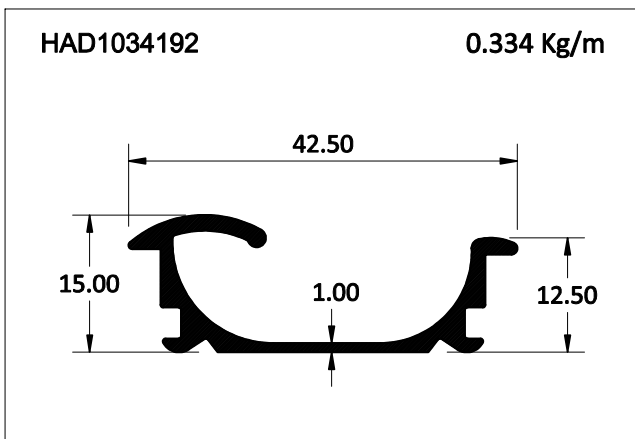
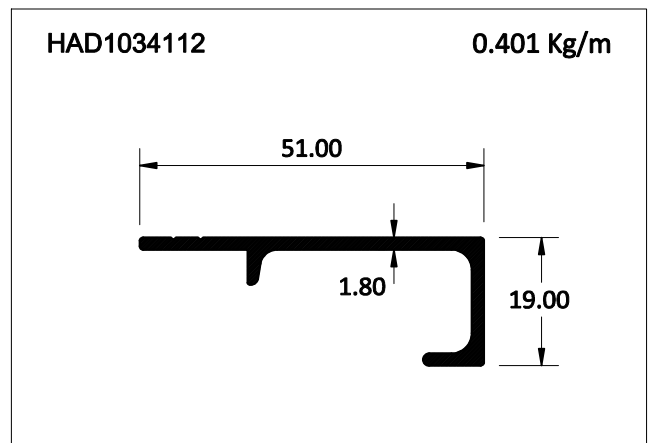
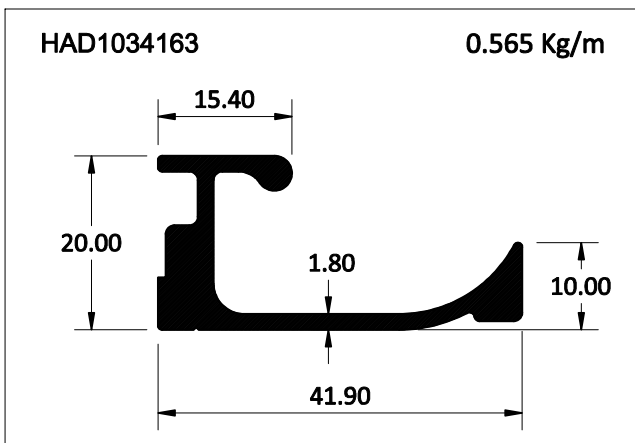
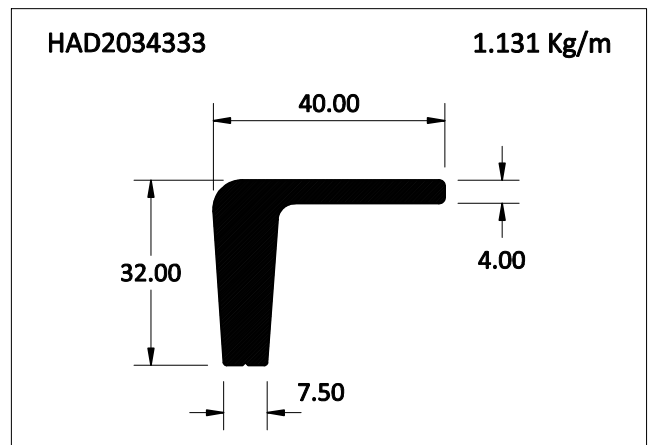
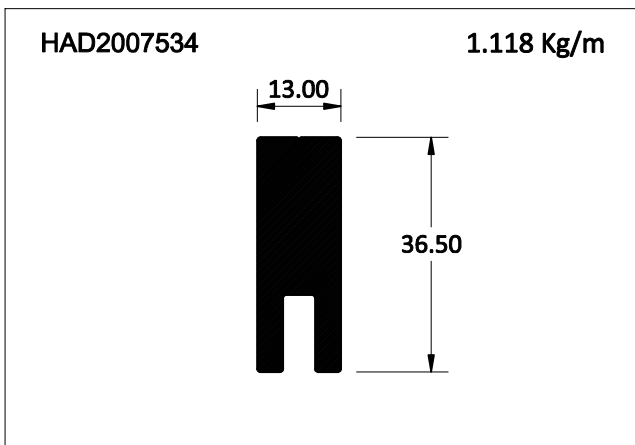
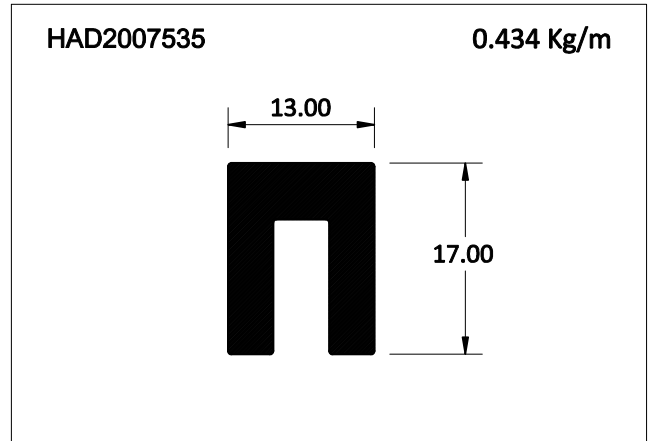
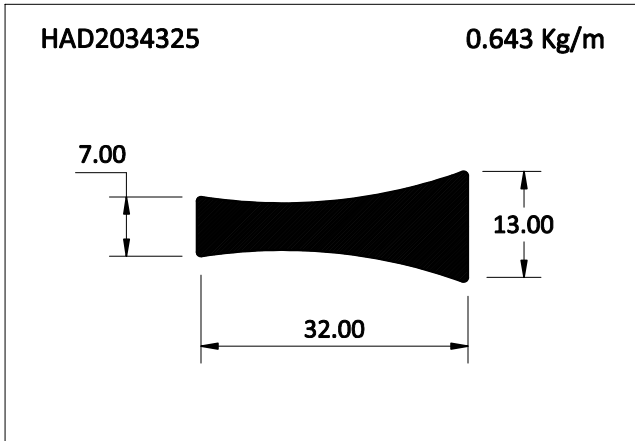
HARDWARE



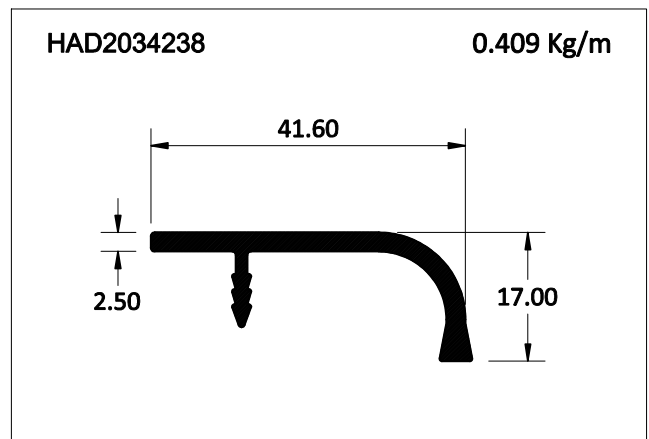
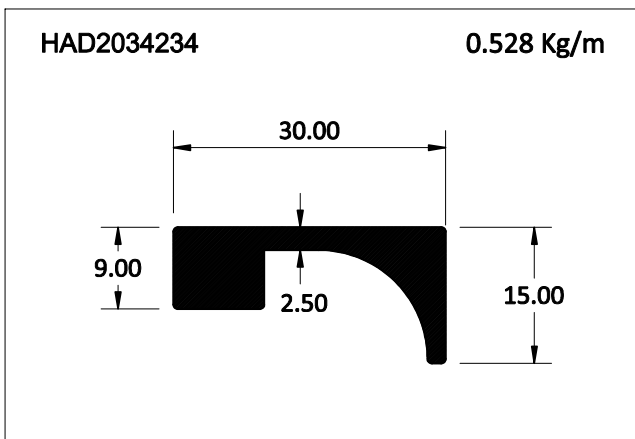
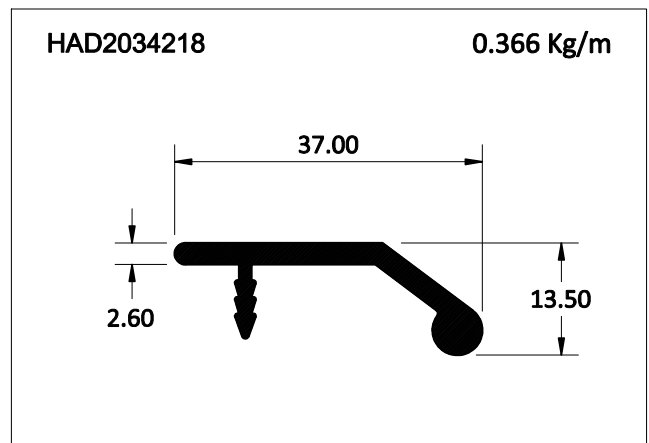
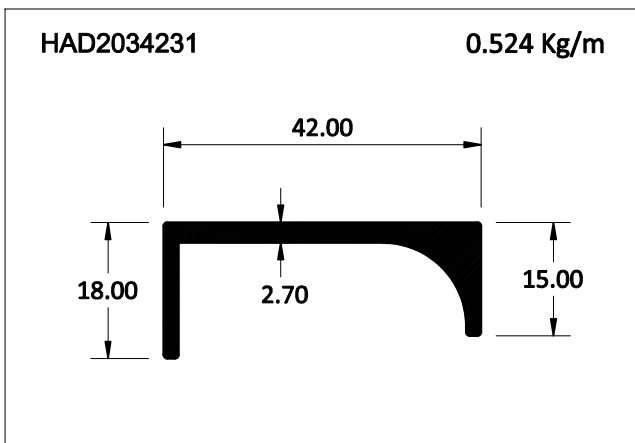
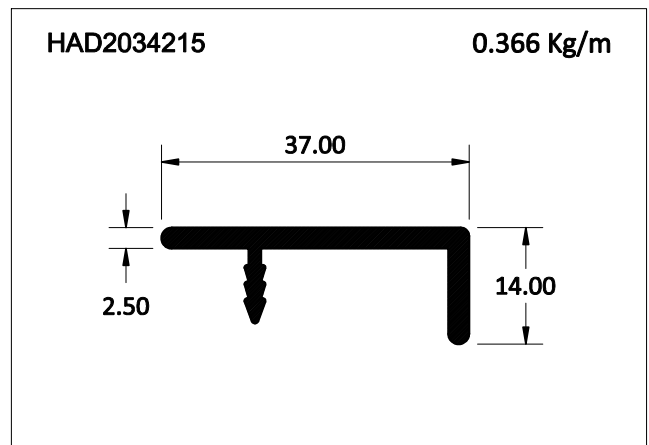
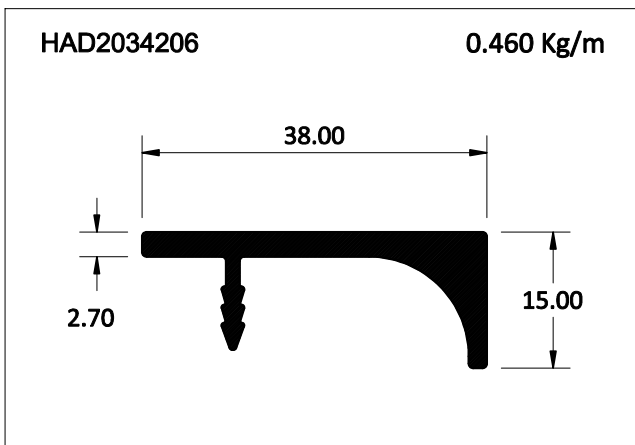
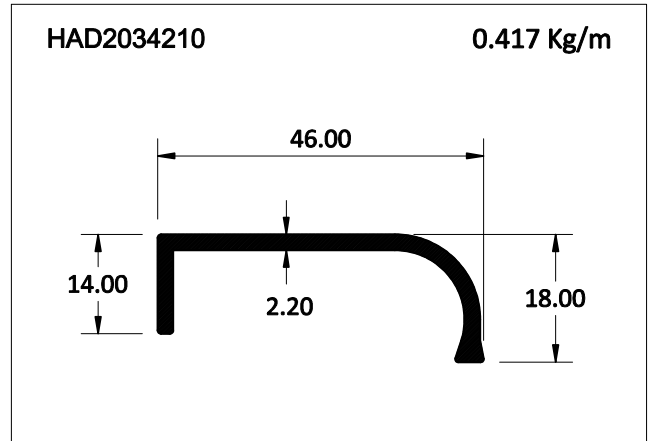
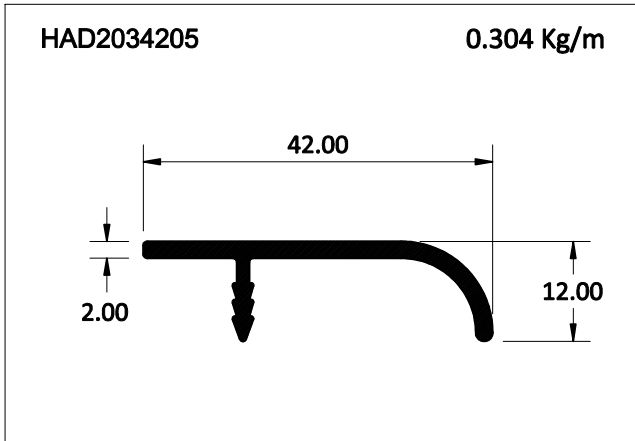
HARDWARE



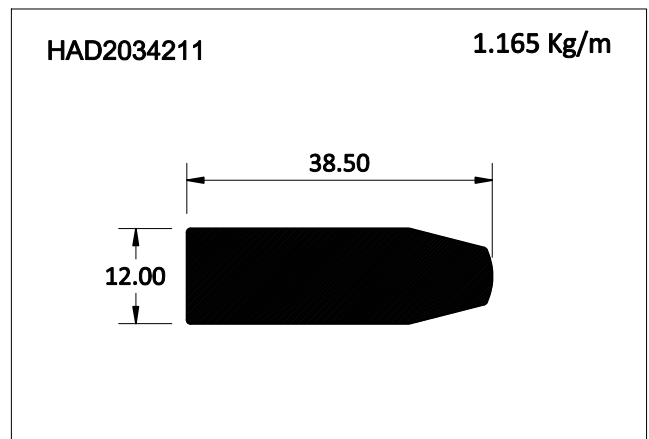
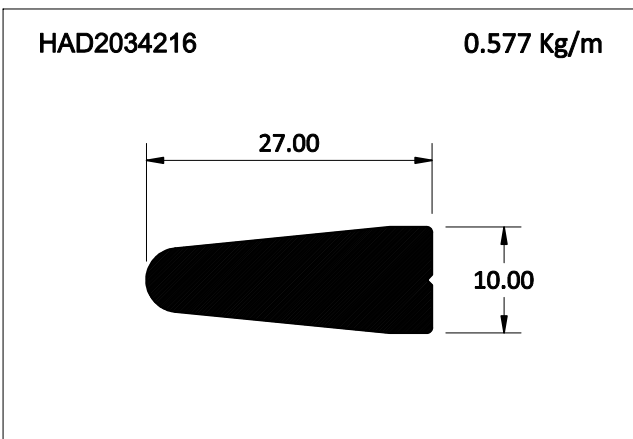
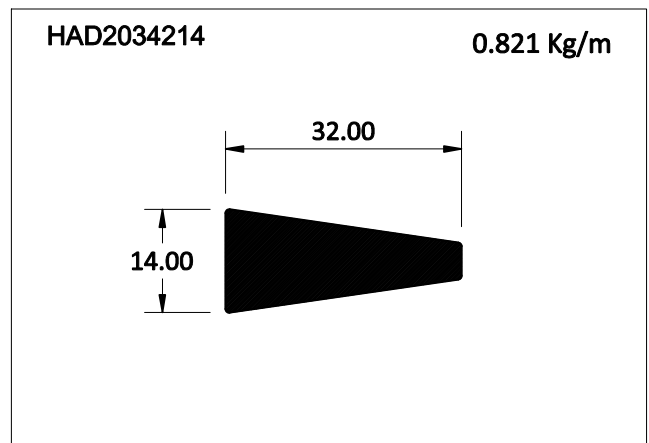
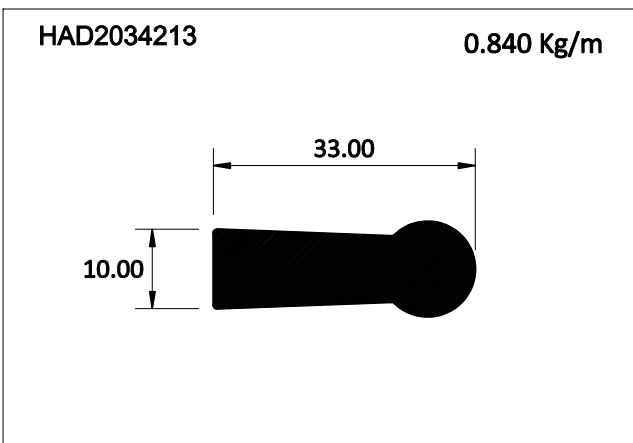
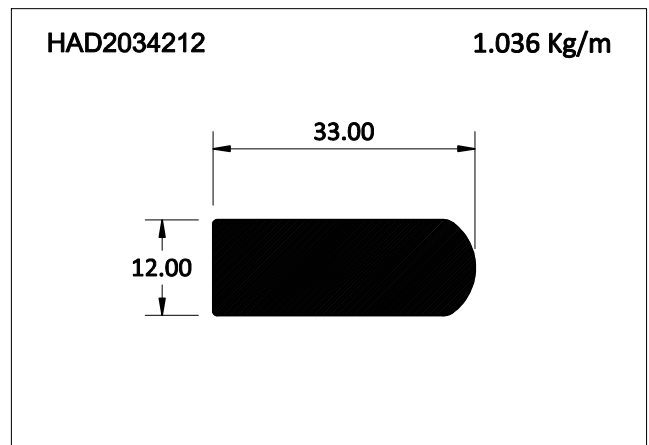
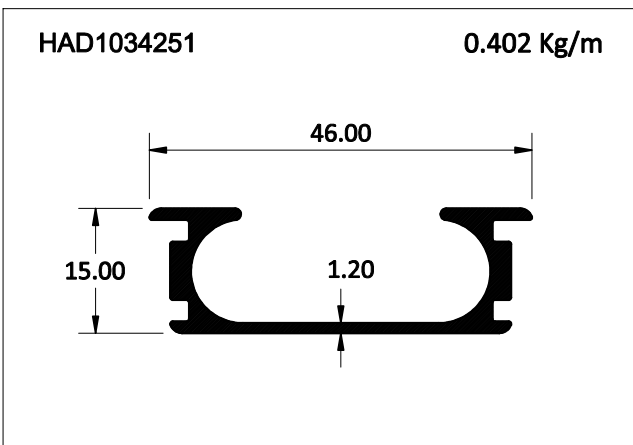
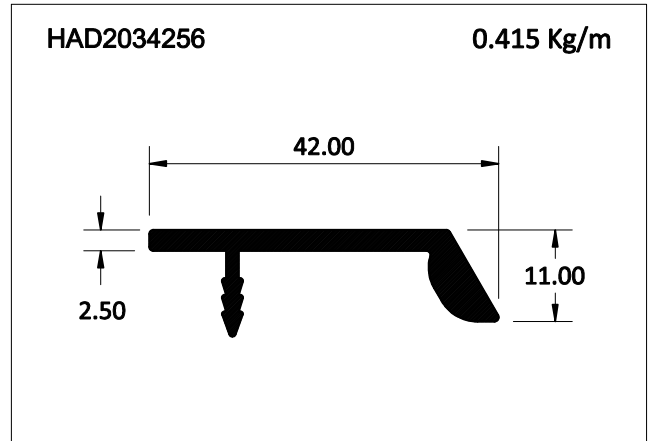
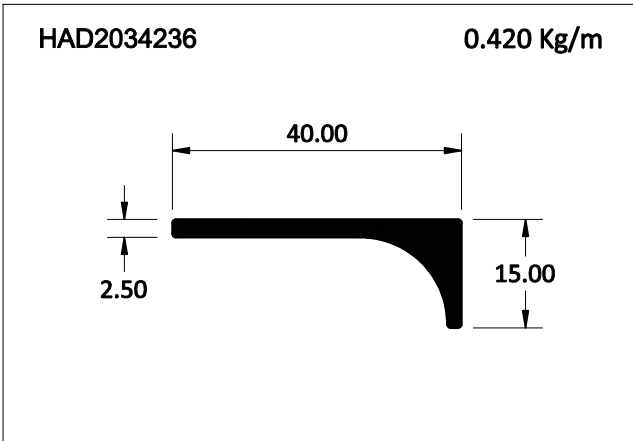
HARDWARE

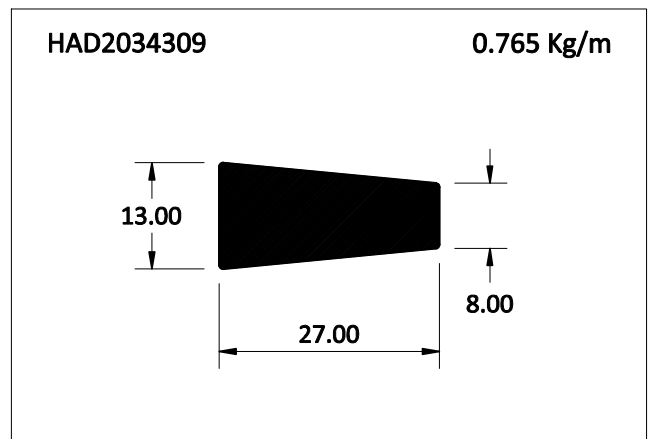
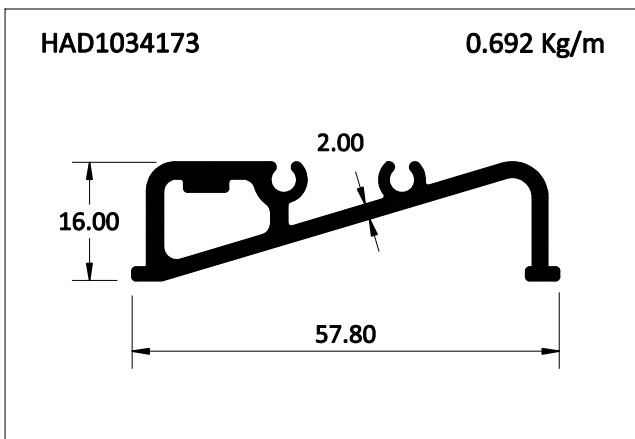
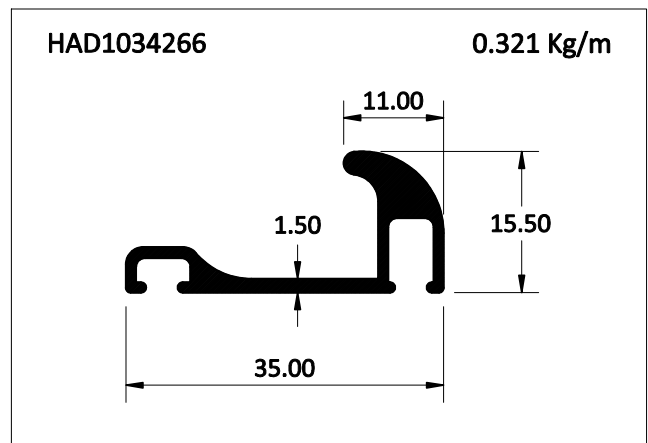
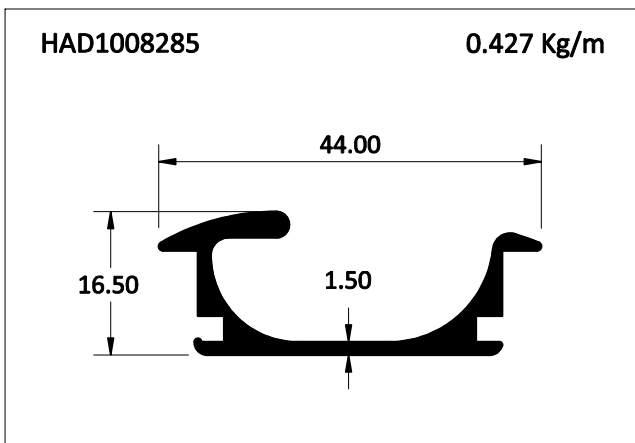
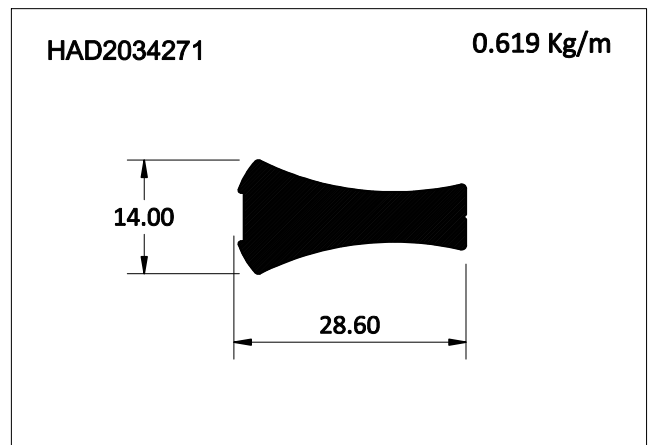
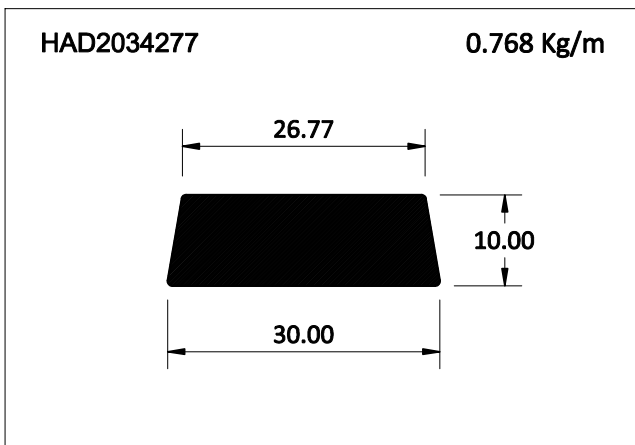
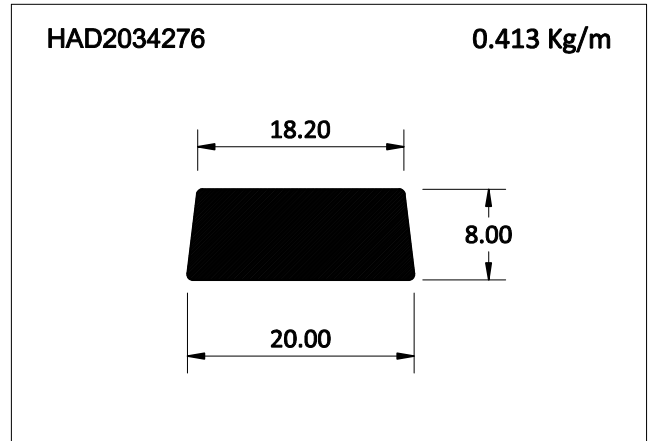
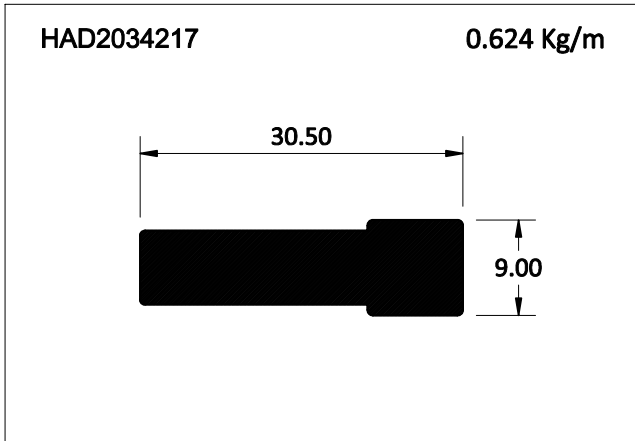


HARDWARE

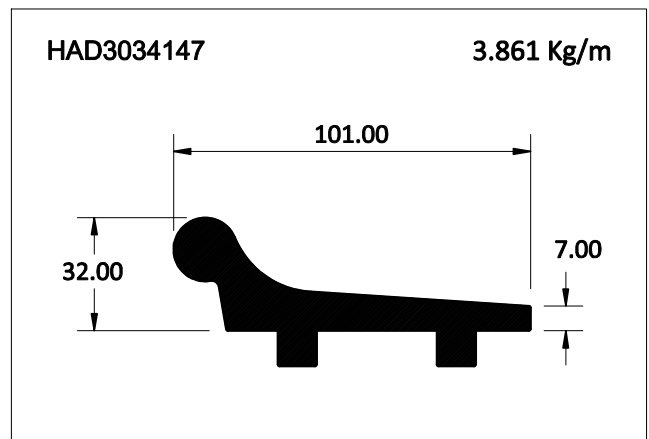
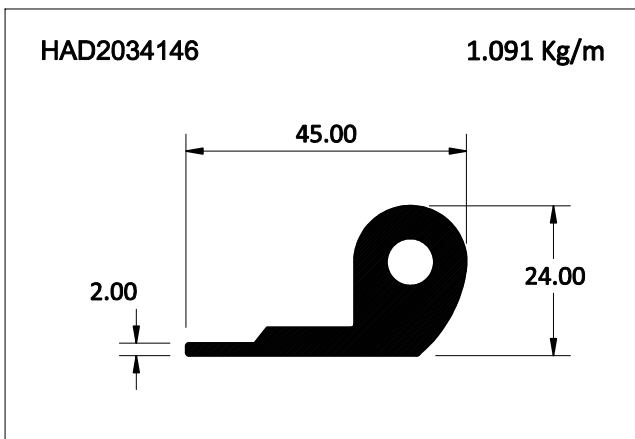
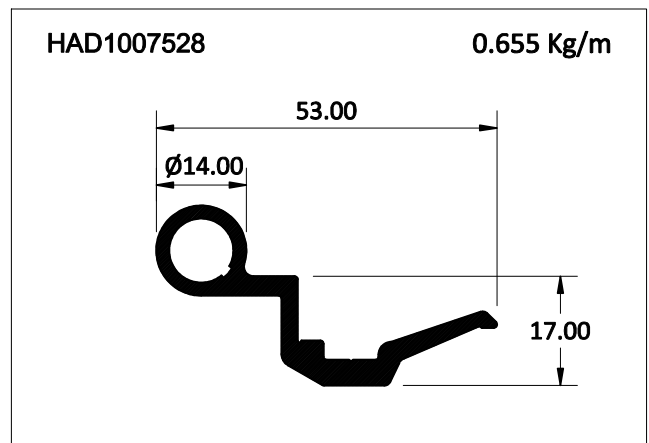
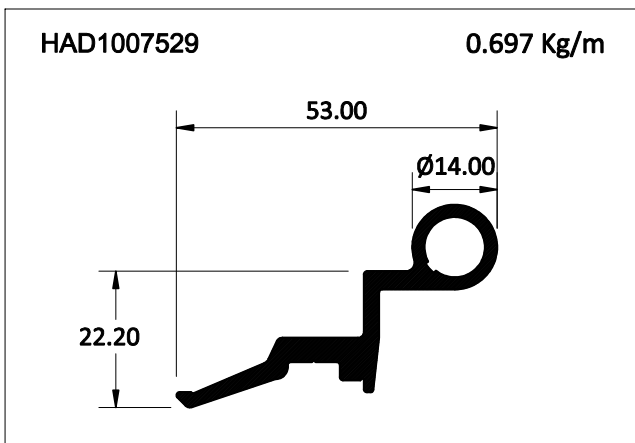
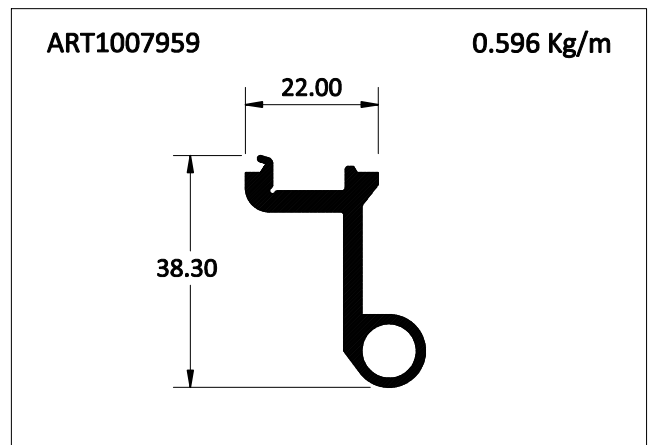
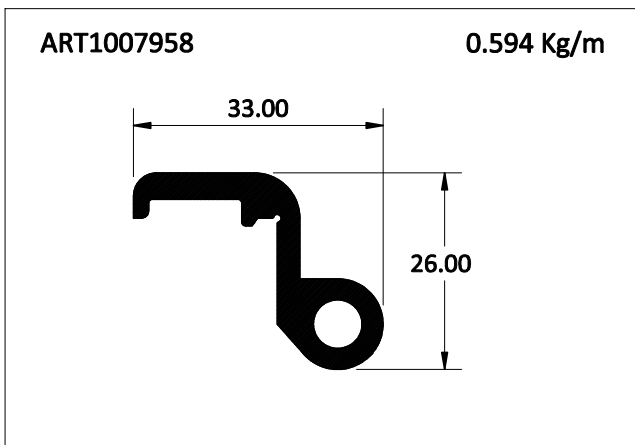
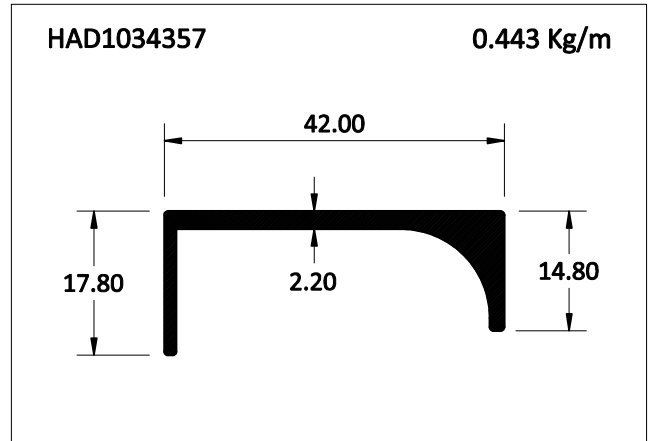
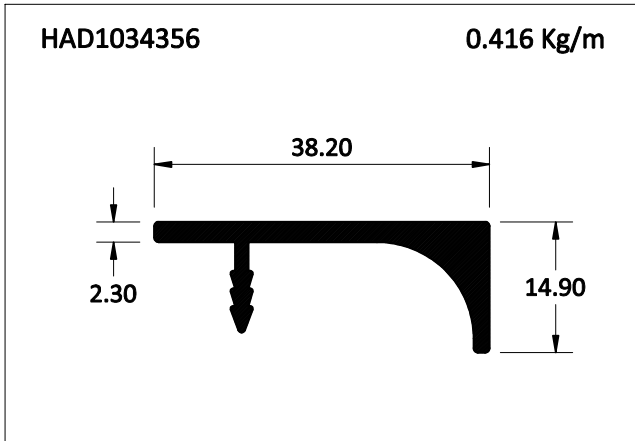


HARDWARE

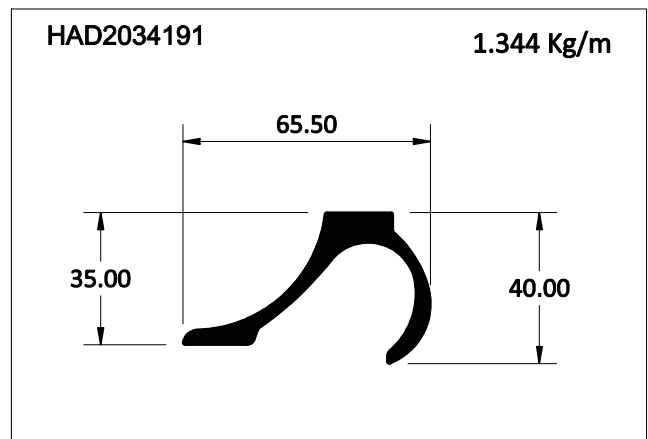
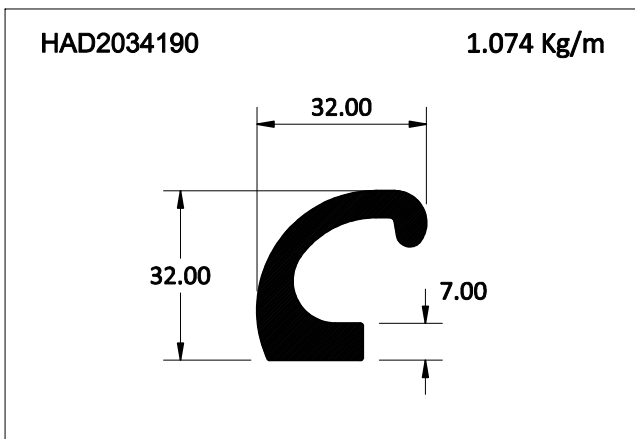
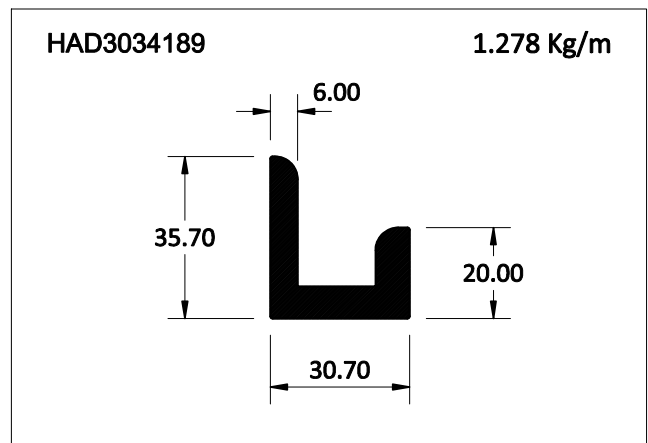
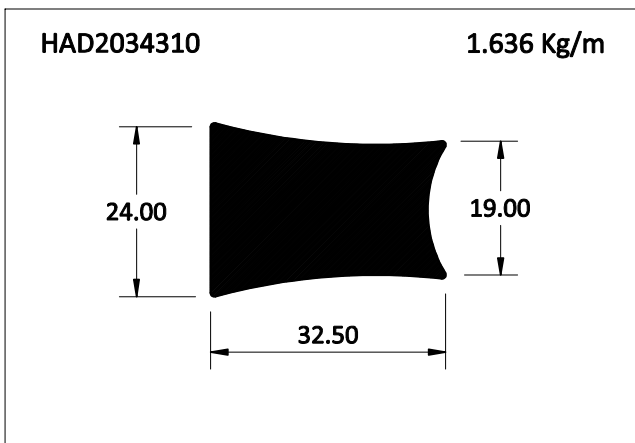
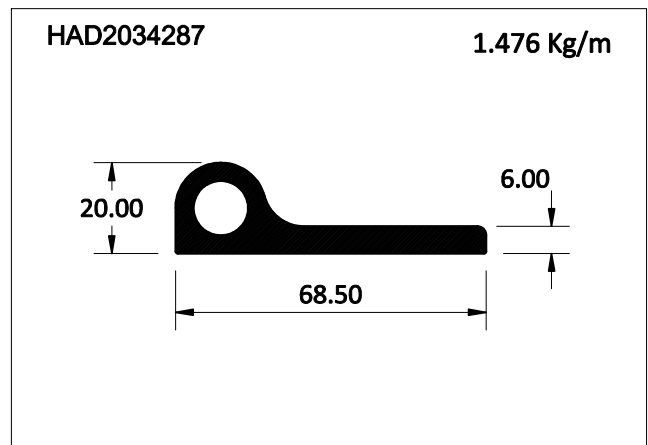
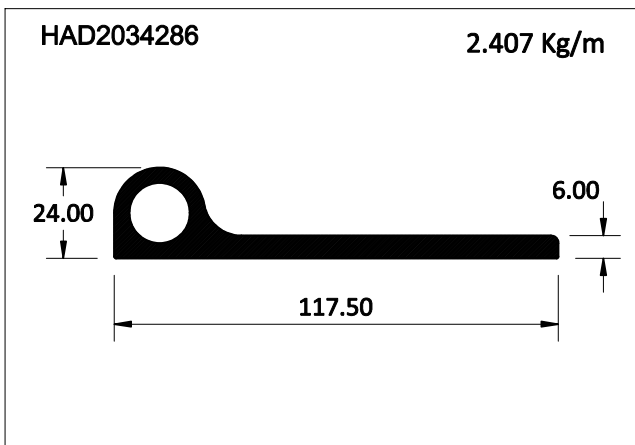
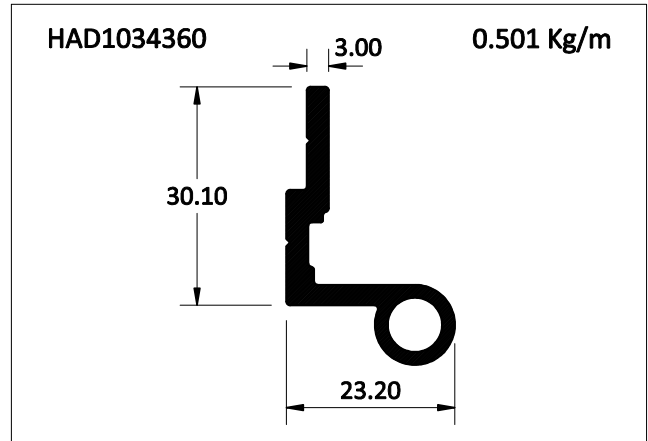
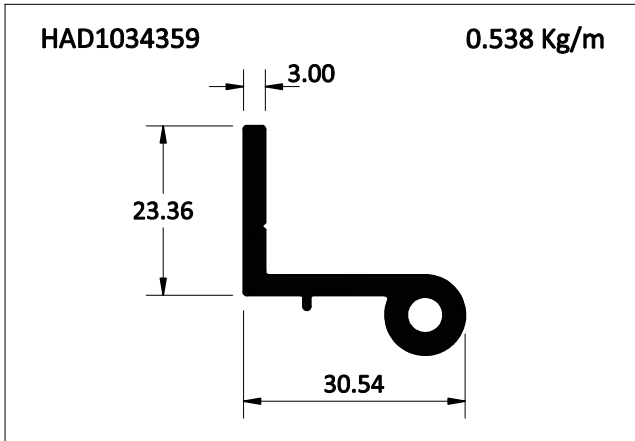




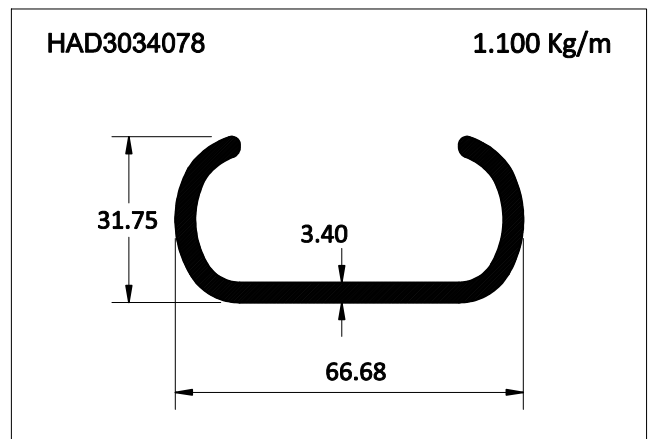
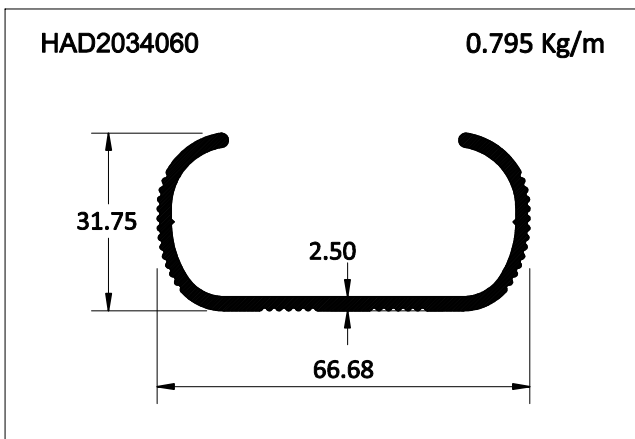
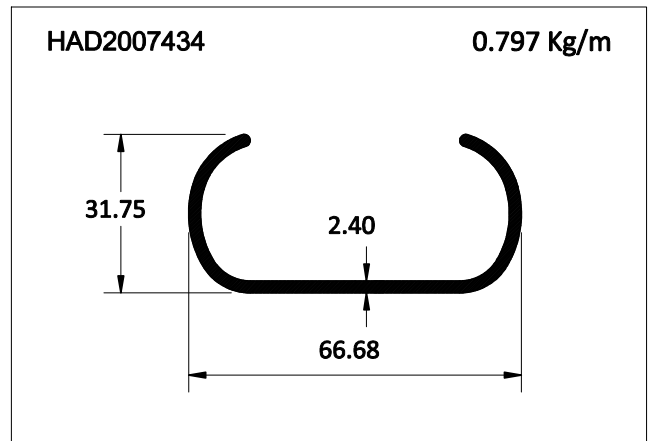
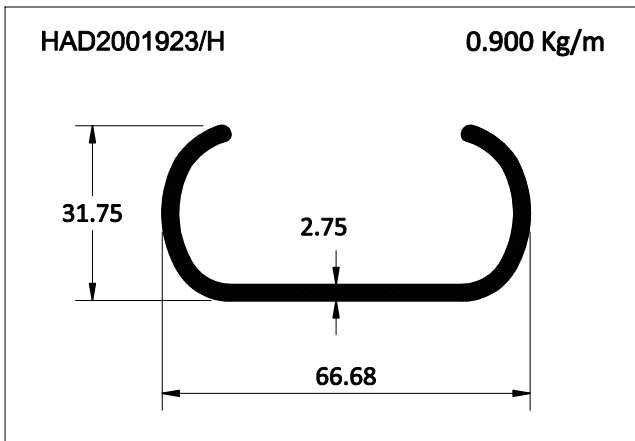
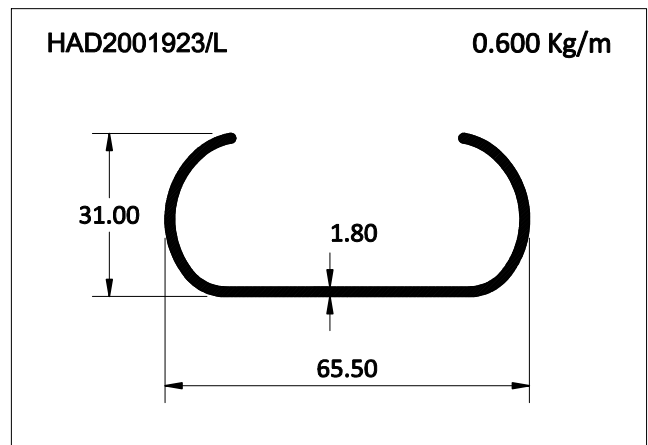
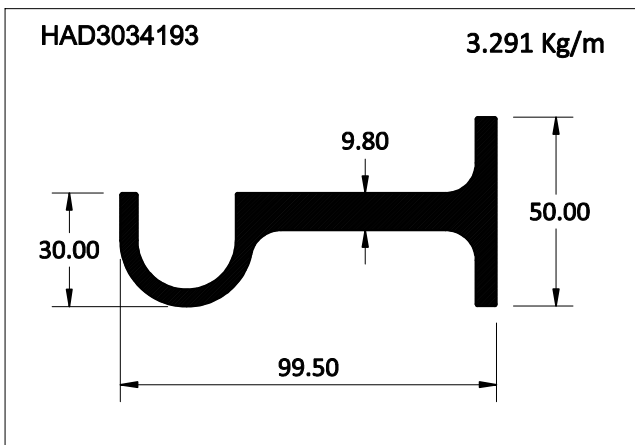
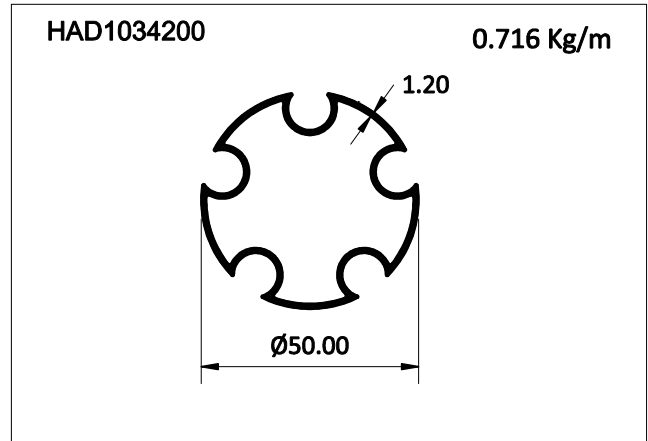
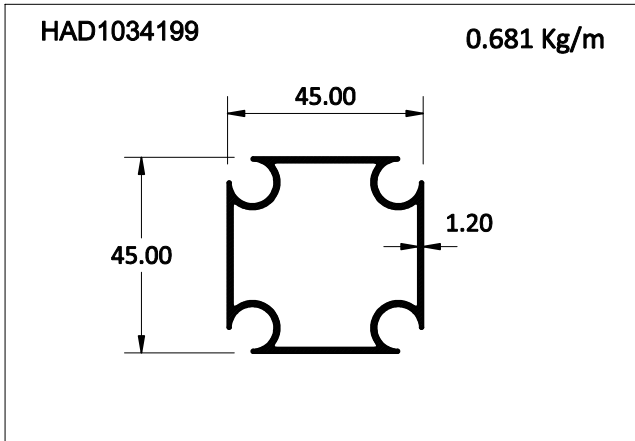
HARDWARE



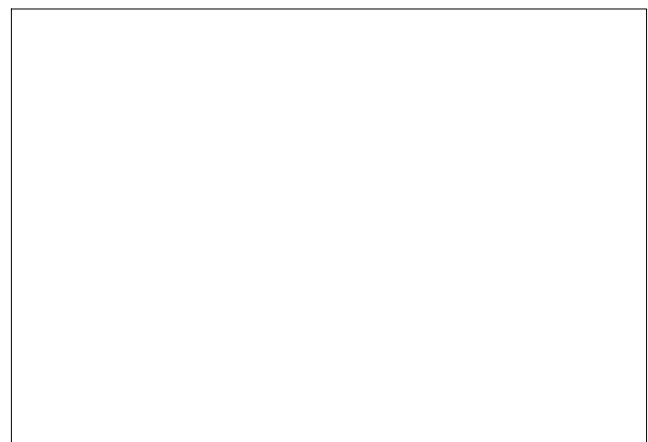
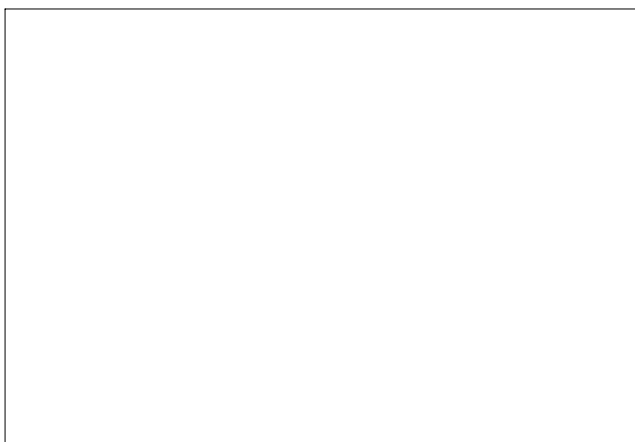
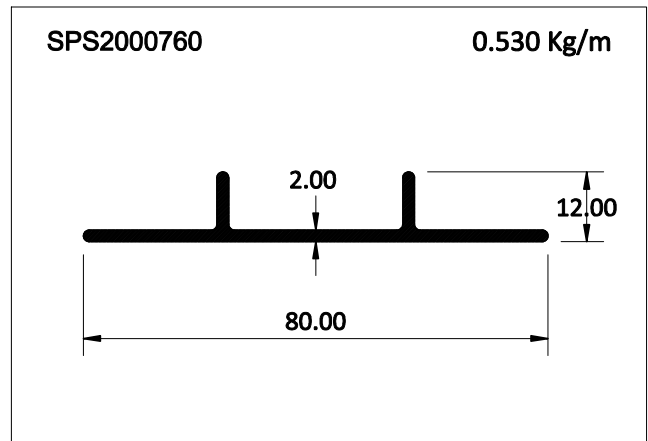
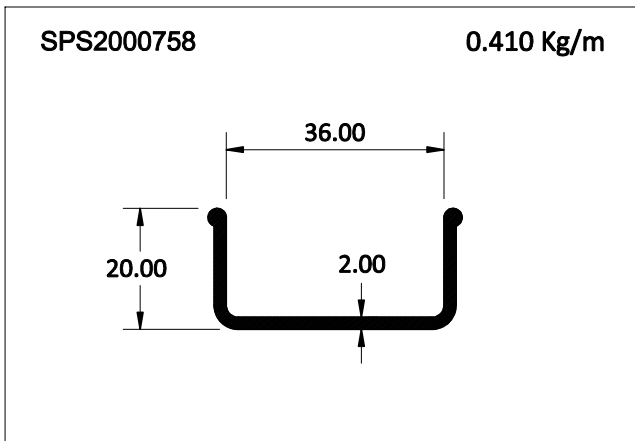
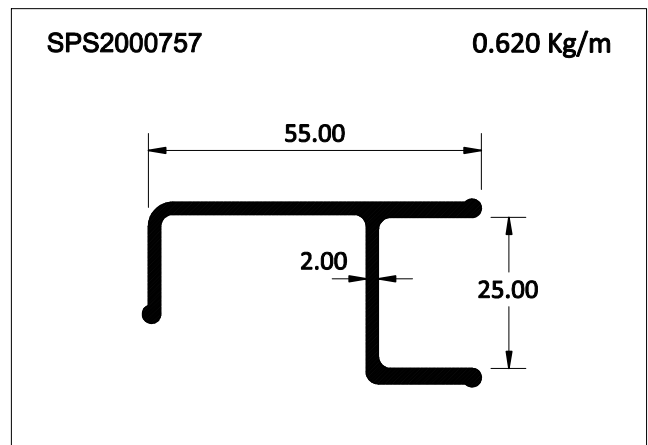
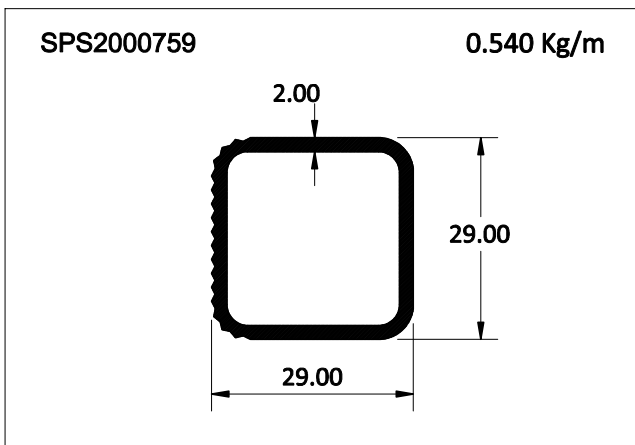
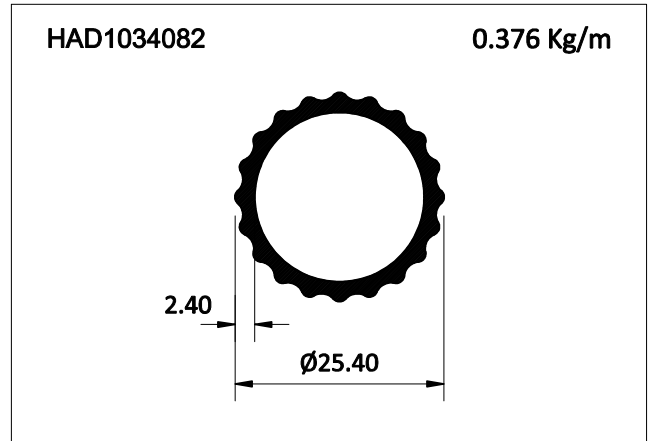
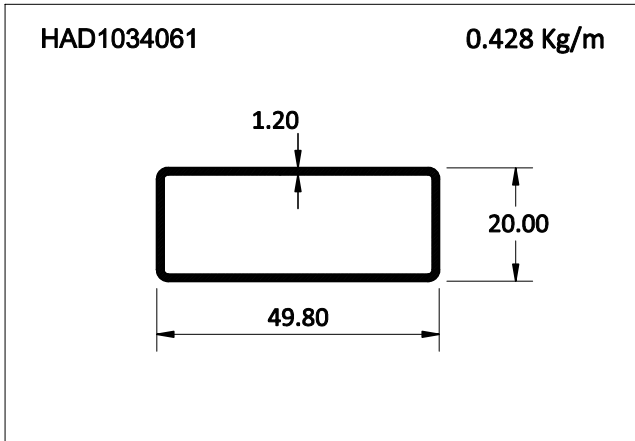
HARDWARE



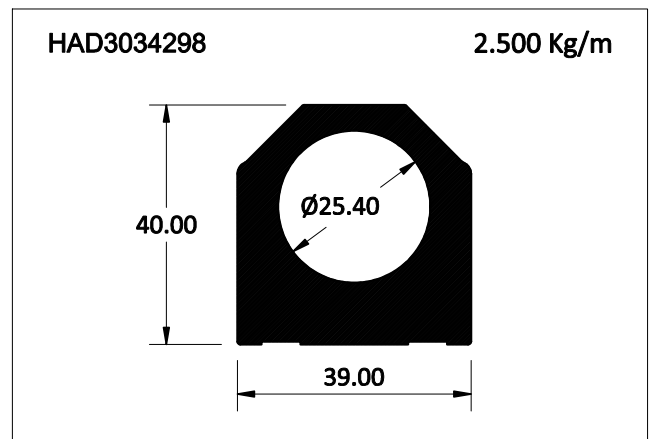
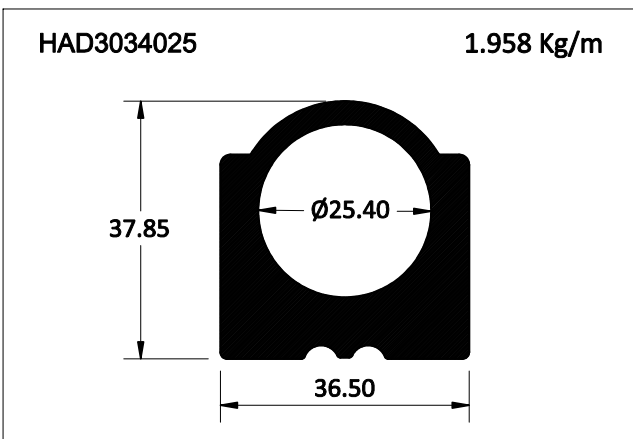
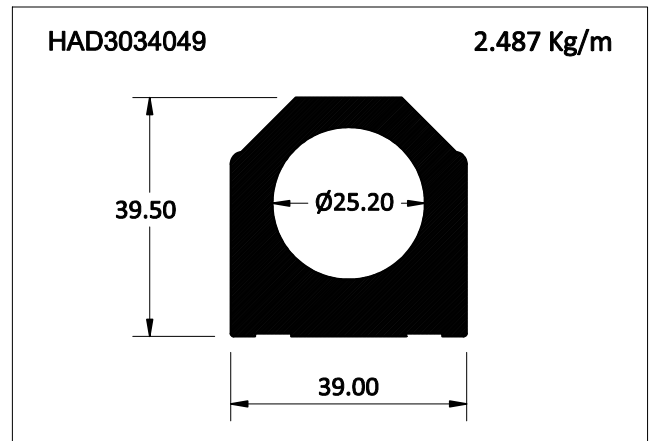
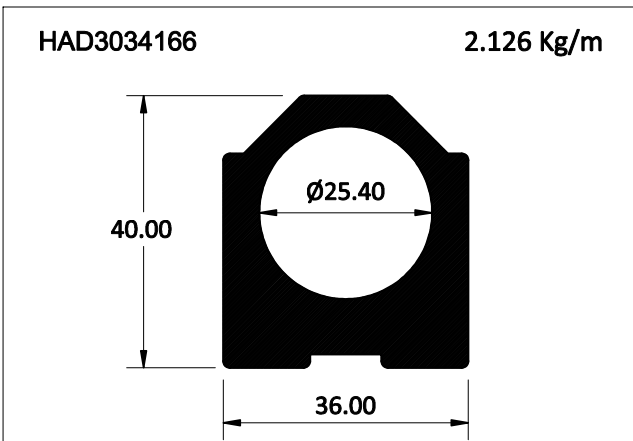
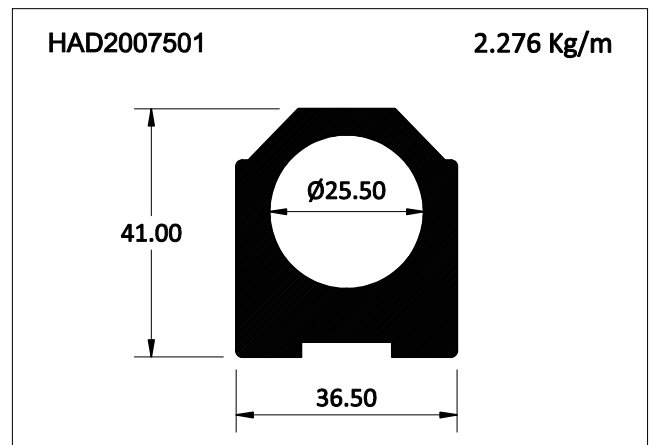
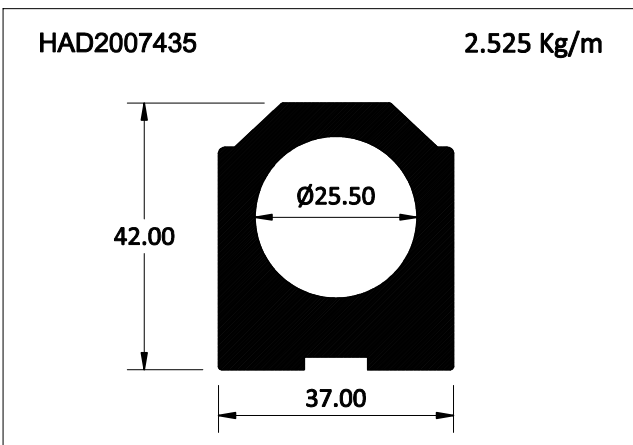
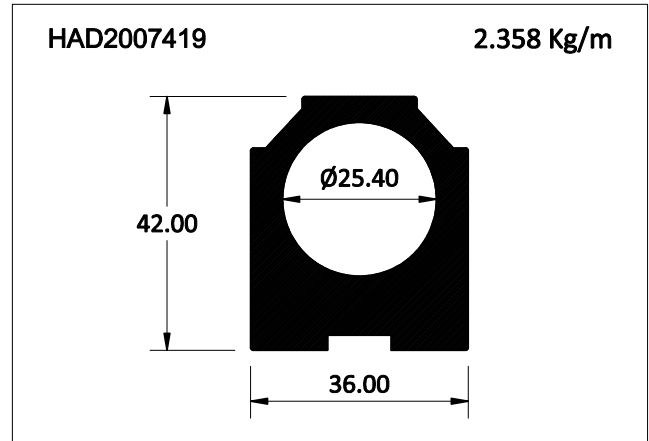
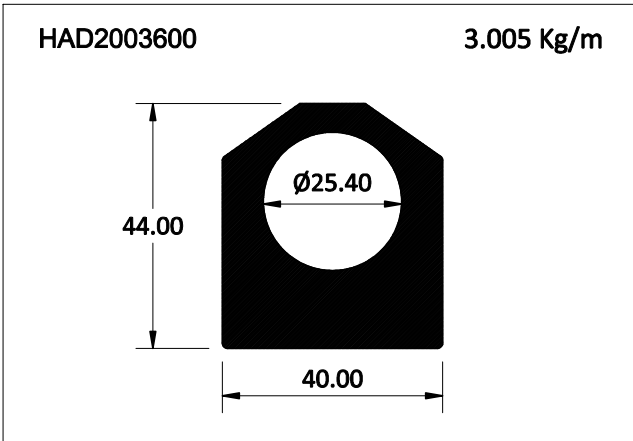
HARDWARE



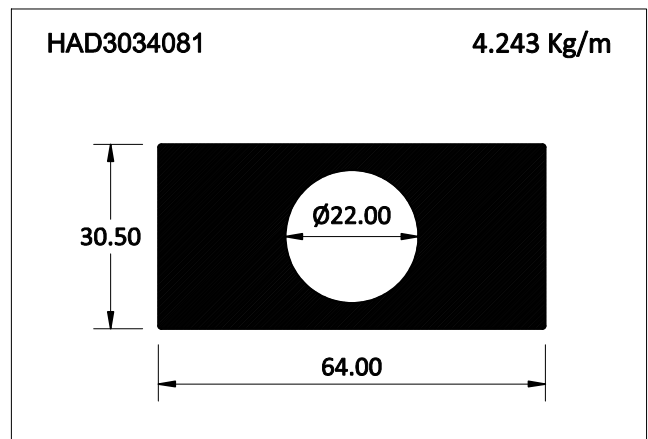
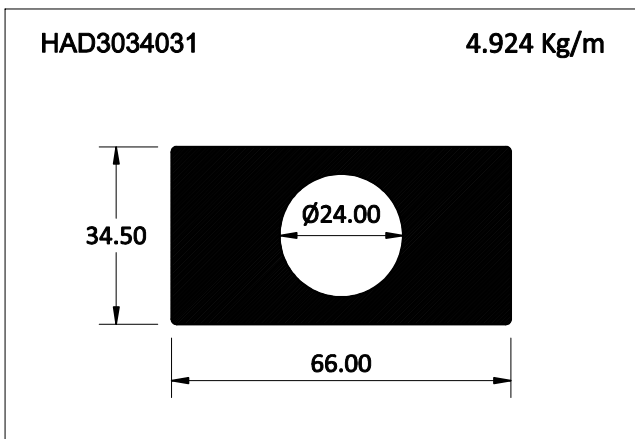
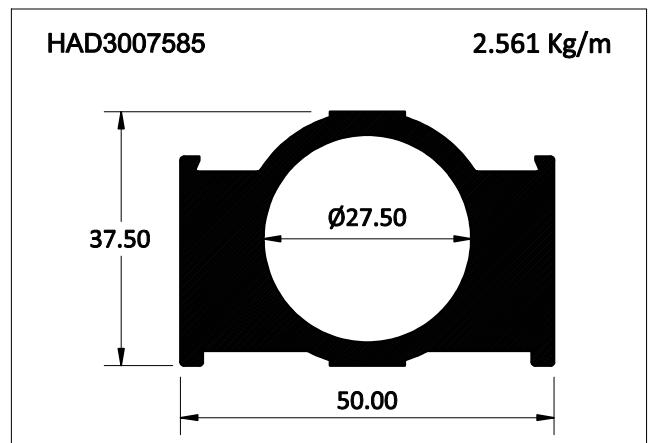
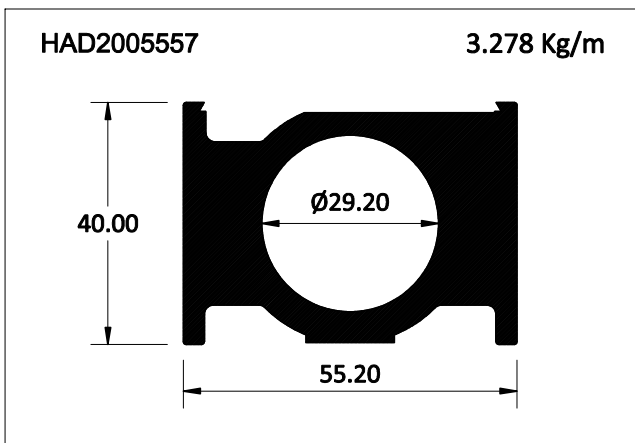
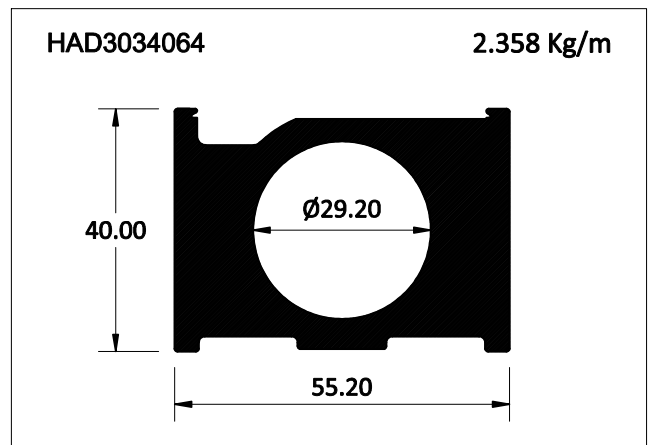
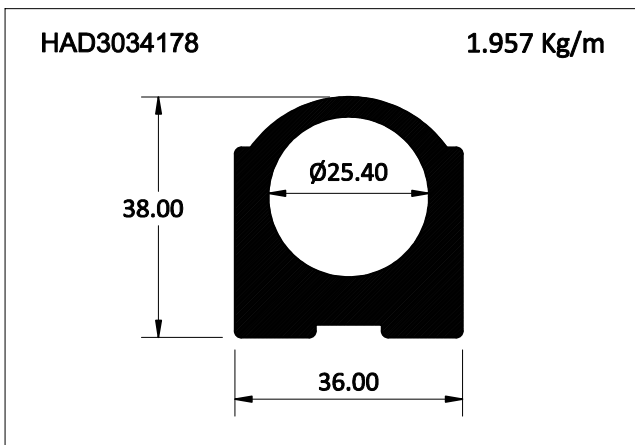
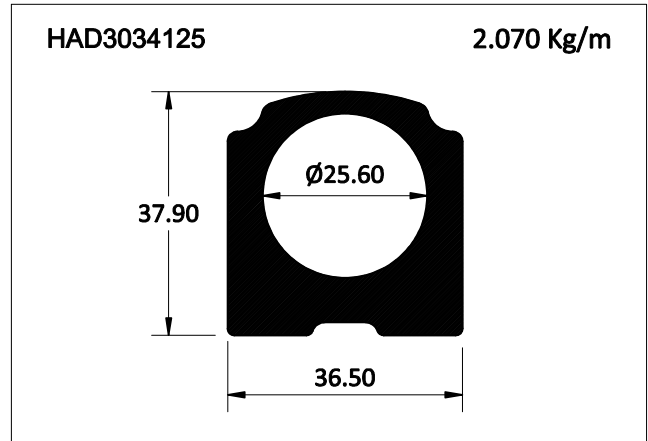
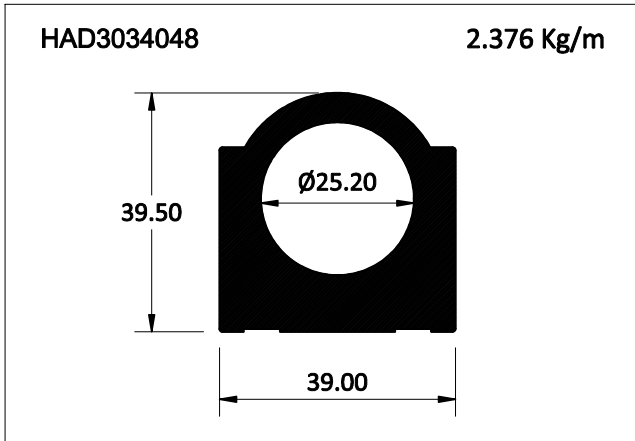
HARDWARE



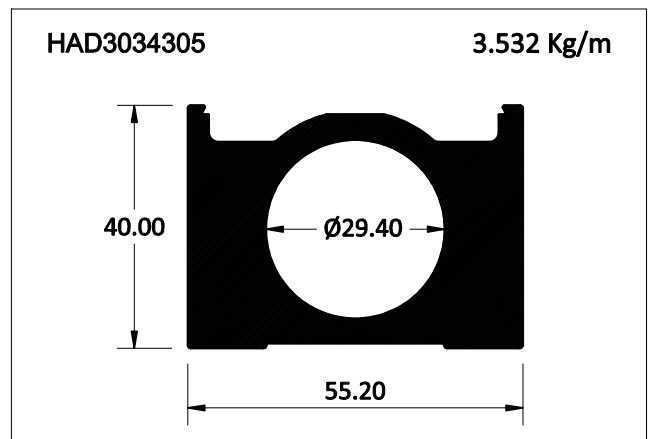
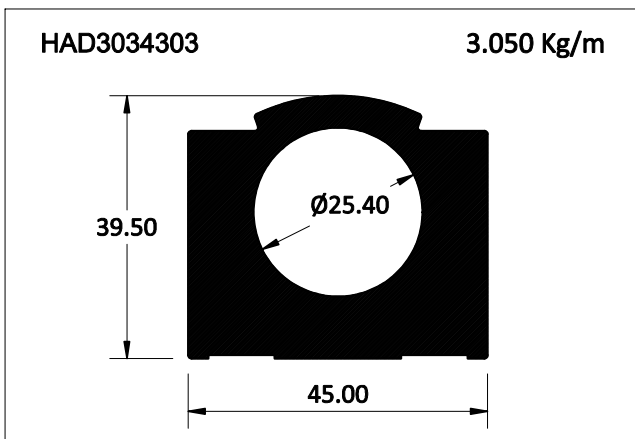
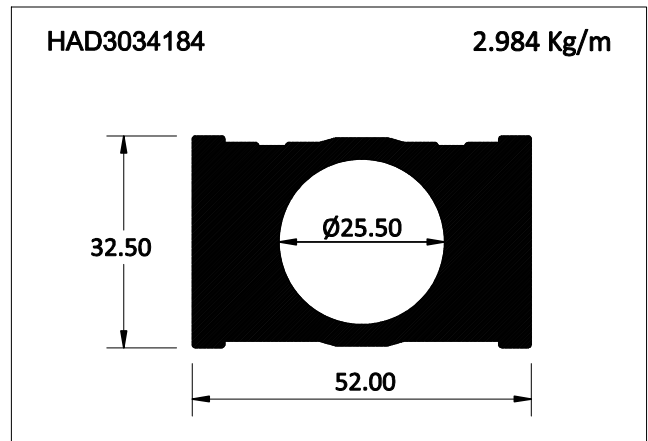
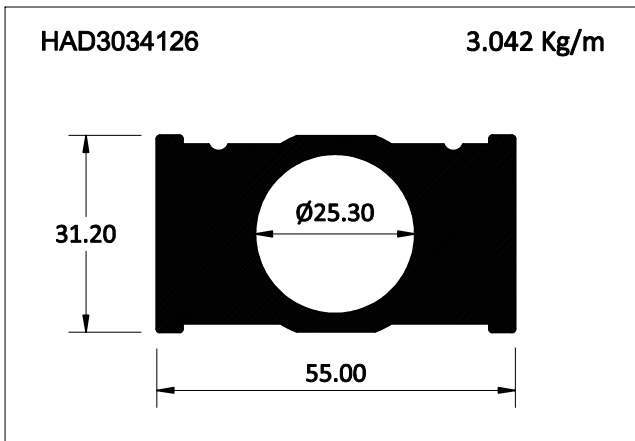
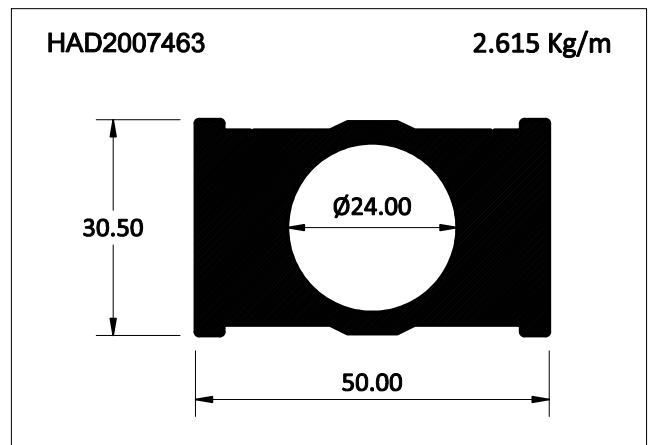
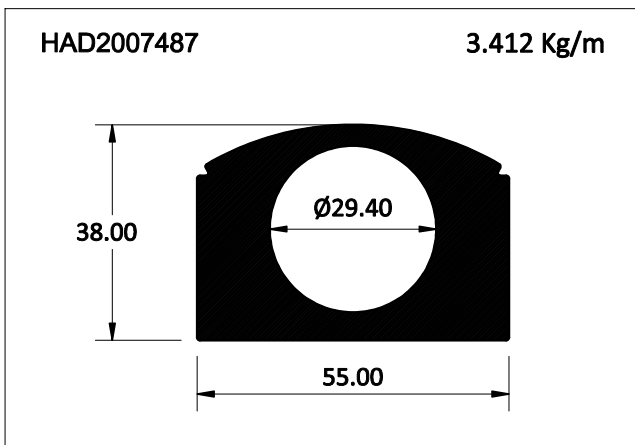
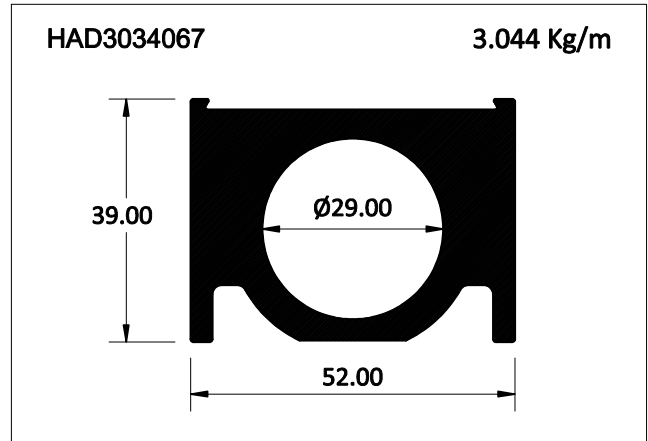
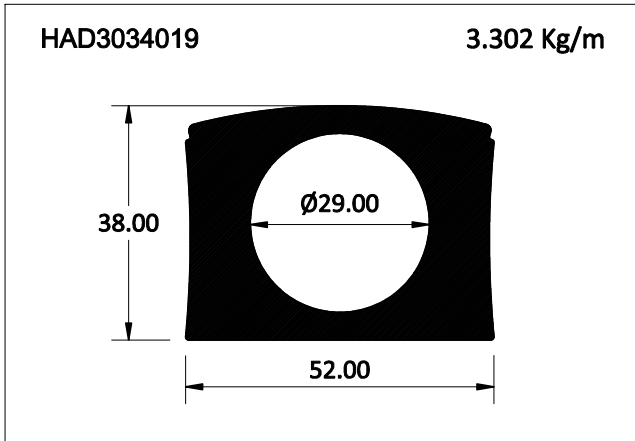
HARDWARE



HARDWARE



HARDWARE



HARDWARE

